

9350 | 9351 | 9352

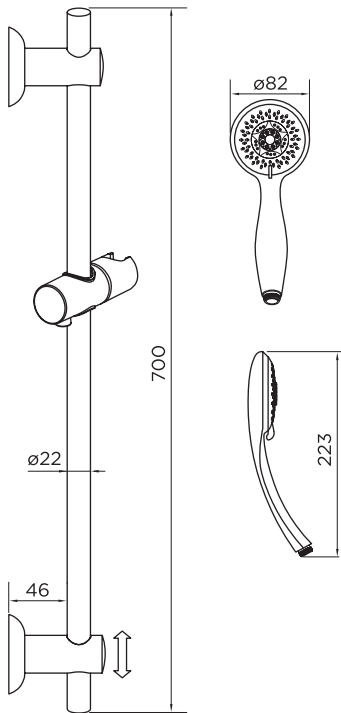
slide rail kits

PRODUCT SPECIFICATION

Product Code: 9350, 9351, 9352
Finish: Chrome
Product Type: Slide Rail Kits
Construction: Riser: SS
Handset: ABS
Hose: SS (1.5m length)
Inlet Size: 1/2" BSP
Guarantee: Lifetime
Gross Weight (kg): 9350 (0.9kg), 9351 (1kg), 9352 (1.75kg)

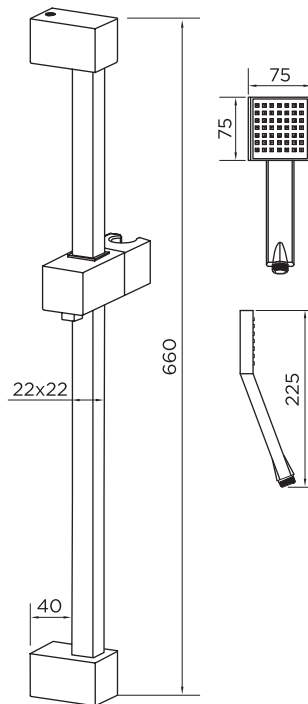
[equate]

9350



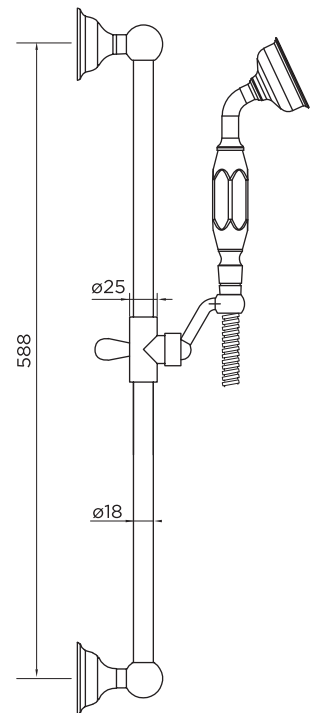
[observa]

9351



[arlington]

9352



niagara