



PEDESTALS

Supports for suspended paving and decking



UNIVERSAL

A wide and versatile range of adjustable pedestals

- Ideal for paving slabs and timber decking
- Suspended system
- Millimetre precise adjustability
- 10-37mm Minipads for ultra-low thresholds
- Superior quality virgin fibre polypropylene
- Weight tolerance over 1 tonne
- Withstand sub-zero temperatures



HEIGHT RANGE

10mm to 380mm

Adjust height telescopically to achieve completely flat upper surface, even whilst slab or joist is in place



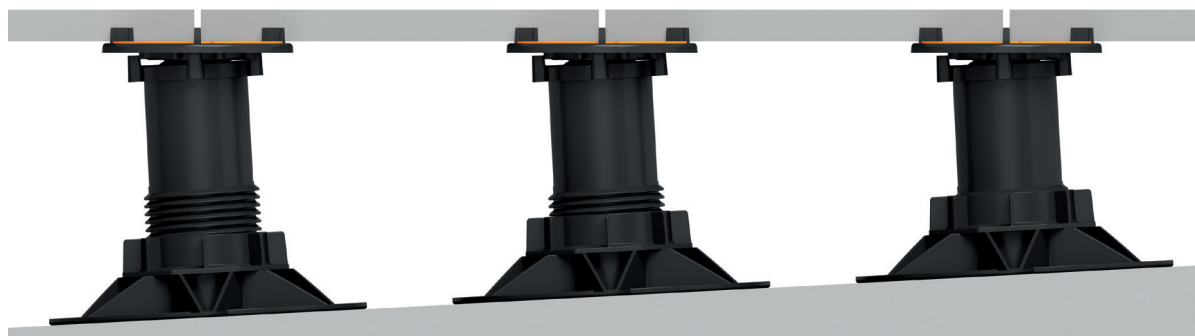
HEIGHT RANGE

25mm to 392mm

BALANCE

Self-levelling headpiece creates an even upper surface

- Ideal for paving slabs and timber decking
- Corrects slopes
- Accommodates blemishes and ridges in subdeck
- Adjusts for differences in slab thickness
- Fully adjustable telescopic stem
- Superior quality virgin fibre polypropylene
- Weight tolerance over 1 tonne



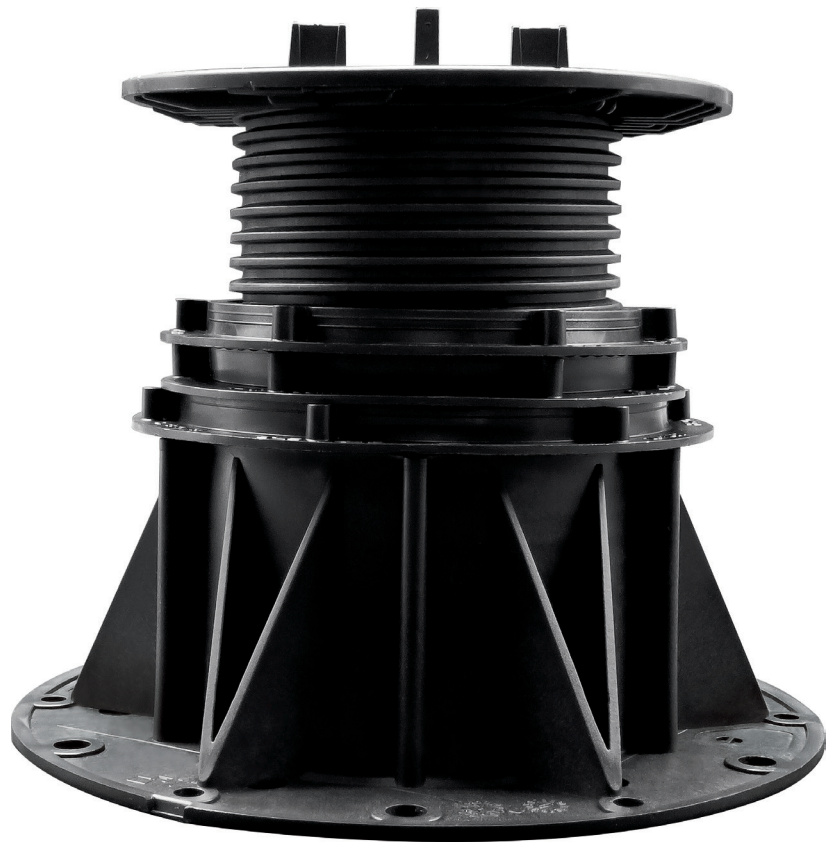
HEIGHT RANGE

35mm up to 1020mm

MEGAPAD

Heavy duty adjustable pedestals with a weight tolerance of over 2 tonnes

- Designed for paving and decking
- Ideal for supporting heavy objects such as planters and furniture
- Achieve clearance of over 1 metre high
- Lockable threads to eliminate unwinding
- Reversible for edges and corners
- Superior quality virgin fibre polypropylene



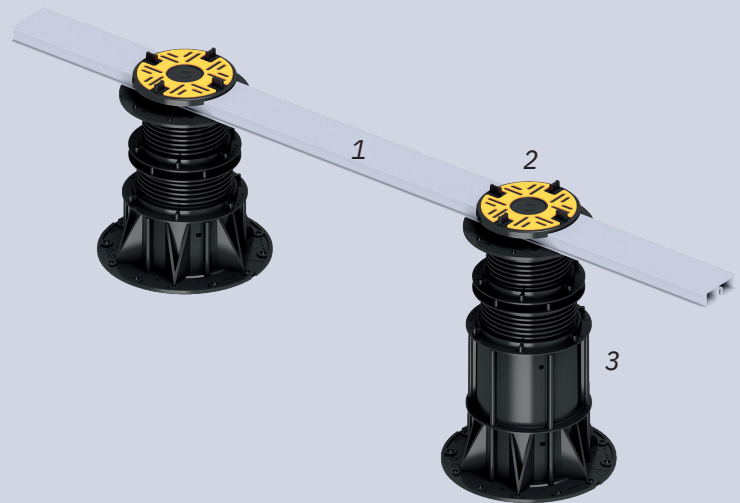
Specially designed headpiece clicks into the centre of the head to securely house a timber joist



RAIL SYSTEM FOR TILES & DECKING

Suspension system for laying porcelain tiles and decking

- Creates lateral stability across deck by reducing movement
- Bespoke headpiece clips onto profiled aluminium joist
- Aluminium rail clicks securely onto Megapad pedestal
- Timber decking can also fix directly into rail for low height thresholds



1. Rail headpiece
2. Aluminium joist
3. Megapad



FIXED HEIGHT

Specially designed for restricted height thresholds to raise paving or decking off the surface

- Cost-effective entry-level support pads
- Separate paving or decking from base structure
- Protect surface beneath
- Ultra-low height thresholds
- Fast & easy installation
- Available in plastic, PVC or natural rubber compound
- Shims, slope correctors and other accessories available



HEIGHT RANGE

- 5mm, 7mm and 9mm pads
- 14mm and 17mm pads



TECHNICAL DATA	SUITABLE FOR			WEIGHT TOLERANCE (KG)			ACCESSORIES		
	PAVING	DECKING	SELF LEVELLING	ACOUSTIC PROPERTIES	NORMAL CAPACITY	BREAK POINT	SHIMS	SLOPE CORRECTORS	EDGING PLATE
FIXED HEIGHT									
7mm PVC Timber Decking Pad		✓		✓	8,000	8,000			
7mm PVC Paving Pad	✓			✓	8,000	8,000			
7mm PVC TD Plus decking pad		✓		✓	8,000	8,000			
9mm thick Rubber Paving Support Pad	✓			✓	8,000	8,000	✓		
14mm thick plastic support pad	✓	✓		✓	1,000	1,000	✓		
17mm thick plastic support pad	✓	✓		✓	1,000	1,000	✓		
ADJUSTABLE FOR PAVING & DECKING									
10-20mm MINIPAD (with 1 plate)	✓	✓			683	1,171	✓	✓	✓
10-25mm MINIPAD (with 2 plates)	✓	✓			683	1,171	✓	✓	✓
22-30mm MINIPAD	✓	✓			683	1,171	✓	✓	✓
28-37mm MINIPAD	✓	✓			683	1,171	✓	✓	✓
35-50mm UNIVERSAL Pedestal	✓	✓		✓	683	1,171	✓	✓	✓
50-70mm UNIVERSAL Pedestal	✓	✓		✓	683	1,171	✓	✓	✓
65-100mm UNIVERSAL Pedestal	✓	✓		✓	683	1,171	✓	✓	✓
95-130mm UNIVERSAL Pedestal	✓	✓		✓	683	1,171	✓	✓	✓
125-160mm UNIVERSAL Pedestal	✓	✓		✓	683	1,171	✓	✓	✓
155-190mm UNIVERSAL Pedestal	✓	✓		✓	683	1,171	✓	✓	✓
185-220mm UNIVERSAL Pedestal	✓	✓		✓	683	1,171	✓	✓	✓
210-245mm UNIVERSAL Pedestal	✓	✓		✓	683	1,171	✓	✓	✓
240-275mm UNIVERSAL Pedestal	✓	✓		✓	683	1,171	✓	✓	✓
270-305mm UNIVERSAL Pedestal	✓	✓		✓	683	1,171	✓	✓	✓
300-335mm UNIVERSAL Pedestal	✓	✓		✓	683	1,171	✓	✓	✓
330-365mm UNIVERSAL Pedestal	✓	✓		✓	683	1,171	✓	✓	✓
85-135mm EXTRA UNIVERSAL Pedestal	✓	✓		✓	683	1,171	✓	✓	✓
125-215mm EXTRA UNIVERSAL Pedestal	✓	✓		✓	683	1,171	✓	✓	✓
210-380mm EXTRA UNIVERSAL Pedestal	✓	✓		✓	683	1,171	✓	✓	✓
SELF-LEVELLING PEDESTALS									
25-50mm BALANCE Pedestal (with 2 plates)	✓	✓	✓	✓	683	1,171	✓	✓	✓
47-62mm BALANCE Pedestal	✓	✓	✓	✓	683	1,171	✓	✓	✓
62-82mm BALANCE Pedestal	✓	✓	✓	✓	683	1,171	✓	✓	✓
77-112mm BALANCE Pedestal	✓	✓	✓	✓	683	1,171	✓	✓	✓
107-142mm BALANCE Pedestal	✓	✓	✓	✓	683	1,171	✓	✓	✓
137-172mm BALANCE Pedestal	✓	✓	✓	✓	683	1,171	✓	✓	✓
167-202mm BALANCE Pedestal	✓	✓	✓	✓	683	1,171	✓	✓	✓
197-232mm BALANCE Pedestal	✓	✓	✓	✓	683	1,171	✓	✓	✓
222-257mm BALANCE Pedestal	✓	✓	✓	✓	683	1,171	✓	✓	✓
252-287mm BALANCE Pedestal	✓	✓	✓	✓	683	1,171	✓	✓	✓
282-317mm BALANCE Pedestal	✓	✓	✓	✓	683	1,171	✓	✓	✓
312-347mm BALANCE Pedestal	✓	✓	✓	✓	683	1,171	✓	✓	✓
342-377mm BALANCE Pedestal	✓	✓	✓	✓	683	1,171	✓	✓	✓
97-147mm BALANCE EXTRA Pedestal	✓	✓	✓	✓	683	1,171	✓	✓	✓
137-227mm BALANCE EXTRA Pedestal	✓	✓	✓	✓	683	1,171	✓	✓	✓
222-392mm BALANCE EXTRA Pedestal	✓	✓	✓	✓	683	1,171	✓	✓	✓
HEAVY DUTY									
Megapad - 35-50mm	✓	✓			1,560	2,057	✓	✓	✓
Megapad - 50-75mm	✓	✓			1,560	2,057	✓	✓	✓
Megapad - 75-120mm	✓	✓			1,560	2,057	✓	✓	✓
Megapad - 115-220mm	✓	✓			1,560	2,057	✓	✓	✓
Megapad - 215-320mm (with 1 Tower)	✓	✓			1,560	2,057	✓	✓	✓
Megapad - 315-420mm (with 2 Towers)	✓	✓			1,560	2,057	✓	✓	✓
Megapad - 415-520mm (with 3 Towers)	✓	✓			1,560	2,057	✓	✓	✓
Megapad - 515-620mm (with 4 Towers)	✓	✓			1,560	2,057	✓	✓	✓
Megapad - 615-720mm (with 5 Towers)	✓	✓			1,560	2,057	✓	✓	✓
Megapad - 715-820mm (with 6 Towers)	✓	✓			1,560	2,057	✓	✓	✓
Megapad - 815-920mm (with 7 Towers)	✓	✓			1,560	2,057	✓	✓	✓
Megapad - 915-1020mm (with 8 Towers)	✓	✓			1,560	2,057	✓	✓	✓
RAIL									
Rail System	✓	✓		✓	1,560	2,057		✓	



The most comprehensive
range of pedestals in the UK

wallbarn.com
+44 (0)208 916 2222
sales@wallbarn.com

Unit 16
Capital Business Centre
22 Carlton Road
South Croydon CR2 0BS

IMS.S.006.v1