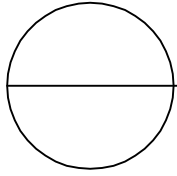


**DEK DRAIN**  
**DECO**

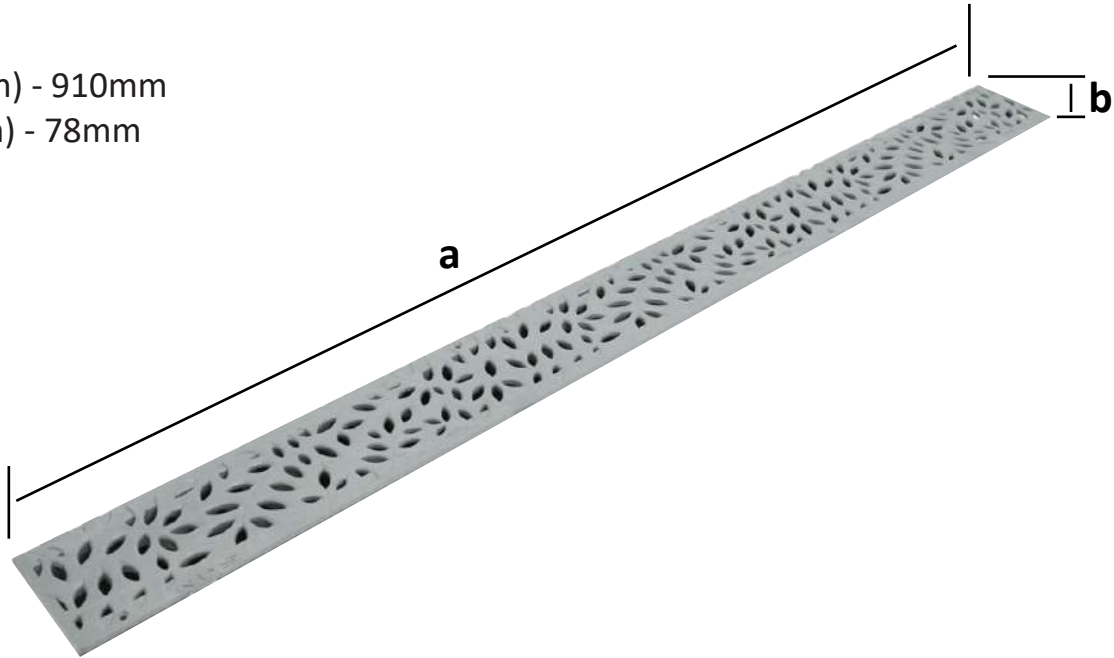
**DEK DRAIN**  
**THRESHOLD**

Grating Technical Details /  
Measurements



**DEKDRAIN DECO / DEKDRAIN THRESHOLD**  
**3 FT. FLORAL CHANNEL GRATING TECHNICAL DETAILS**

a (length) - 910mm  
b (width) - 78mm



Material: UV Protected High Density Polyethylene (HDPE)  
Colors: Black, Grey, Green, Sand  
Weight: 0.852 lbs  
Fits: DekDrain Deco / DekDrain Threshold  
Grate Openings: 16.32 in<sup>2</sup> open space per foot  
Will accommodate 30.29 gallons per minute per foot with 1/2" of head.

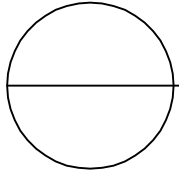
**Load Recommendation Guide**

**Class A15**

Recommended for medium-duty pneumatic tire traffic, autos and light trucks at speeds less than 20 mph.

**Notes:** Some installations may require a concrete surround to meet load rating. Loads are based on encasing a product in concrete. Product must be installed using DEKS instructions.

Tested to EN 1433, will meet B125 when installed as a complete unit and surrounded by a ready concrete mix.

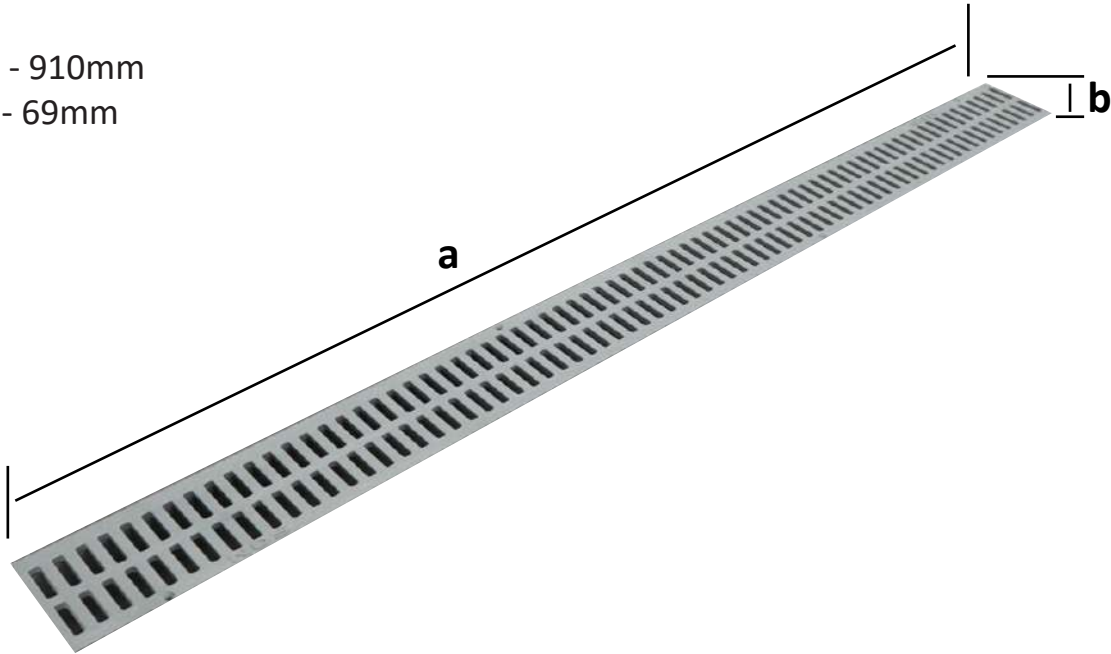


DEKDRAIN DECO / DEKDRAIN THRESHOLD

3 FT. SLOTTED CHANNEL GRATING TECHNICAL DETAILS

a (length) - 910mm

b (width) - 69mm



Material: UV Protected High Density Polyethylene (HDPE)  
Colors: White (540), Gray (541), Green (542), Black (543), Sand (544), Brick Red (551)  
Weight: 0.66 lbs  
Fits: Use with Mini Channel Drain  
Grate Openings: 9.90 in<sup>2</sup> open space per foot  
Will accommodate 30.29 gallons per minute per foot with 1/2" of head.

**Load Recommendation Guide**

**Class A15**

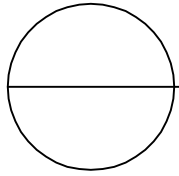
Recommended for medium-duty pneumatic tire traffic, autos and light trucks at speeds less than 20 mph.

**Notes:** Some installations may require a concrete surround to meet load rating. Loads are based on encasing a product in concrete. Product must be installed using DEKS instructions.



ADA Compliant/Heel-proof

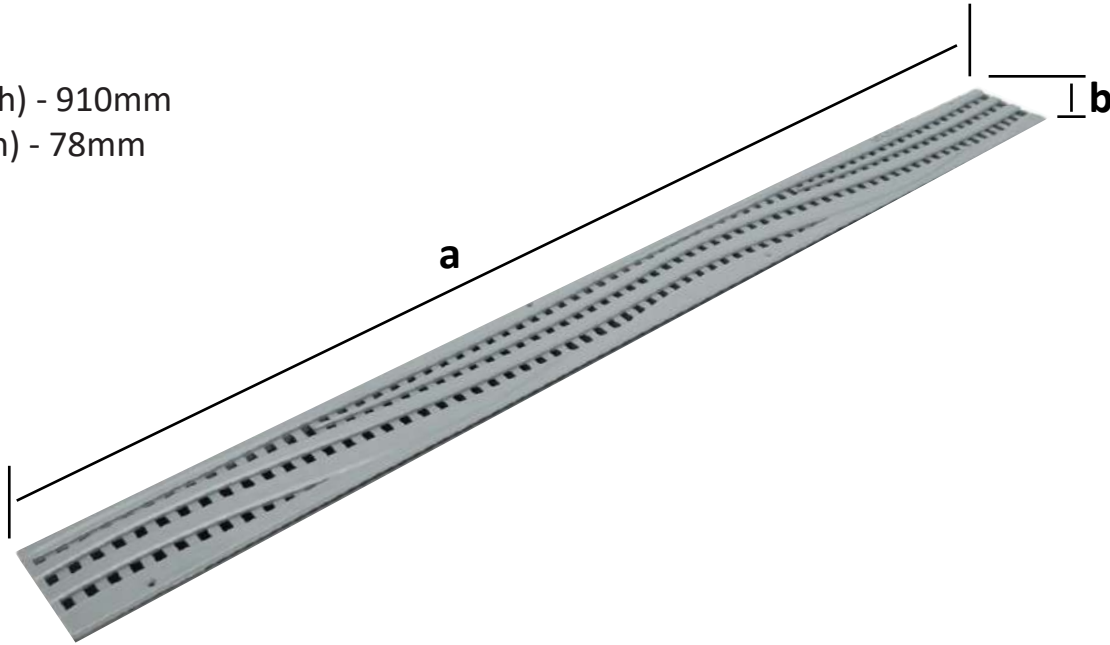
Tested to EN 1433, will meet B125 when installed as a complete unit and surrounded by a ready concrete mix.



**DEKDRAIN DECO / DEKDRAIN THRESHOLD**

**3 FT. WAVE CHANNEL GRATING TECHNICAL DETAILS**

a (length) - 910mm  
b (width) - 78mm



Material: UV Protected High Density Polyethylene (HDPE)

Colors: Black, Grey, Green, Sand

Weight: 0.88 lbs

Fits: DekDrain Deco / DekDrain Threshold

Grate Openings: 17.20 in<sup>2</sup> open space per foot

Will accommodate 52.62 gallons per minute with 1/2" of head.

**Load Recommendation Guide**

**Class A15**

Recommended for medium-duty pneumatic tire traffic, autos and light trucks at speeds less than 20 mph.

**Notes:** Some installations may require a concrete surround to meet load rating. Loads are based on encasing a product in concrete. Product must be installed using DEKS instructions.

Tested to EN 1433, will meet B125 when installed as a complete unit and surrounded by a ready concrete mix.