



**DRAPER**<sup>®</sup>

SLIMLINE

# INSPECTION LAMP

98342/98346/98348



These instructions accompanying the product are the original instructions. This document is part of the product, keep it for the life of the product passing it on to any subsequent holder of the product. Read all these instructions before assembling, operating or maintaining this product.

This manual has been compiled by Draper Tools describing the purpose for which the product has been designed, and contains all the necessary information to ensure its correct and safe use. By following all the general safety instructions contained in this manual, it will ensure both product and operator safety, together with longer life of the product itself.

All photographs and drawings in this manual are supplied by Draper Tools to help illustrate the operation of the product.

Whilst every effort has been made to ensure the accuracy of information contained in this manual, the Draper Tools policy of continuous improvement determines the right to make modifications without prior warning.

# 1. TITLE PAGE

---

## 1.1 INTRODUCTION:

**USER MANUAL FOR:** Slimline Inspection Lamp  
**Stock No's:** 98342/98346/98348  
**Part No's:** RIL/SL700/B / RIL/SL700/G / RIL/SL700/O

## 1.2 REVISION HISTORY:

**Date first published** January 2019.

**Date first revised** May 2020.

---

---

---

As our user manuals are continually updated, users should make sure that they use the very latest version.

**Downloads are available from:** <http://drapertools.com/manuals>

Draper Tools Limited  
Hursley Road  
Chandler's Ford  
Eastleigh  
Hampshire  
SO53 1YF  
UK

**Website:** [drapertools.com](http://drapertools.com)

**Product Help line:** +44 (0) 23 8049 4344

**General Fax:** +44 (0) 23 8026 0784

## 1.3 UNDERSTANDING THIS MANUAL'S SAFETY CONTENT:

**WARNING!** – Information that draws attention to the risk of injury or death.

**CAUTION!** – Information that draws attention to the risk of damage to the product or surroundings.

## 1.4 COPYRIGHT © NOTICE:

Copyright © Draper Tools Limited.

Permission is granted to reproduce this publication for personal and educational use only. Commercial copying, redistribution, hiring or lending is prohibited.

No part of this publication may be stored in a retrieval system or transmitted in any other form or means without written permission from Draper Tools Limited.

In all cases this copyright notice must remain intact.

---

## 2. CONTENTS

---

<b>1. TITLE PAGE</b>	
1.1 INTRODUCTION.....	2
1.2 REVISION HISTORY .....	2
1.3 UNDERSTANDING THIS MANUAL'S SAFETY CONTENT.....	2
1.4 COPYRIGHT © NOTICE.....	2
<b>2. CONTENTS</b>	
2.1 CONTENTS .....	3
<b>3. WARRANTY</b>	
3.1 WARRANTY.....	4
<b>4. INTRODUCTION</b>	
4.1 SCOPE.....	4
4.2 SPECIFICATION .....	4
4.3 HANDLING AND STORAGE.....	4
<b>5. HEALTH AND SAFETY INFORMATION</b>	
5.1 GENERAL SAFETY INSTRUCTIONS .....	4-5
- 1) Work area safety .....	5
- 2) Electrical Safety .....	5
- 3) Personal Safety .....	5
- 4) Power Tool Use and Care.....	5
- 5) Battery tool Use and Care .....	5
- 6) Service .....	5
5.2 ADDITIONAL SAFETY INFORMATION .....	5
5.3 CONNECTION TO THE POWER SUPPLY (CHARGERS).....	5
<b>6. TECHNICAL DESCRIPTION</b>	
6.1 IDENTIFICATION .....	6
<b>7. UNPACKING AND CHECKING</b>	
7.1 PACKAGING .....	6
7.2 WHAT'S IN THE BOX? .....	6
<b>8. ASSEMBLING THE INSPECTION LAMP</b>	
8.1 POWER SUPPLY.....	7
8.2 CHARGING .....	7
<b>9. INSPECTION LAMP INSTRUCTION</b>	
9.1 OPERATION .....	8
9.2 INSPECTION LAMP OPERATION.....	8
<b>10. MAINTENANCE</b>	
10.1 MAINTENANCE .....	8
<b>11. EXPLANATION OF SYMBOLS</b>	
11.1 EXPLANATION OF SYMBOLS.....	9
<b>12. DISPOSAL</b>	
12.1 DISPOSAL.....	9
12.2 HEALTH AND SAFETY FOR BATTERIES.....	9
<b>DECLARATION OF CONFORMITY .....</b>	<b>ENCLOSED</b>

## 3. WARRANTY

### 3.1 WARRANTY

Draper tools have been carefully tested and inspected before shipment and are guaranteed to be free from defective materials and workmanship.

Should the tool develop a fault, please return the complete tool to your nearest distributor or contact

**Draper Tools Limited, Chandler's Ford, Eastleigh, Hampshire, SO53 1YF. England.**

**Telephone Sales Desk: (023) 8049 4333 or Product Help Line (023) 8049 4344.**

A proof of purchase must be provided with the tool.

If upon inspection it is found that the fault occurring is due to defective materials or workmanship, repairs will be carried out free of charge. This warranty period covering labour and parts is 12 months from the date of purchase except where tools are hired out when the warranty period is 90 days from the date of purchase. This warranty does not apply to any consumable parts, any type of battery or normal wear and tear, nor does it cover any damage caused by misuse, careless or unsafe handling, alterations, accidents, or repairs attempted or made by any personnel other than the authorised Draper warranty repair agent.

**Note:** If the tool is found not to be within the terms of warranty, repairs and carriage charges will be quoted and made accordingly.

This warranty applies in lieu of any other warranty expressed or implied and variations of its terms are not authorised.

Your Draper warranty is not effective unless you can produce upon request a dated receipt or invoice to verify your proof of purchase within the warranty period.

Please note that this warranty is an additional benefit and does not affect your statutory rights.

**Draper Tools Limited.**

## 4. INTRODUCTION

### 4.1 SCOPE

7 watt Chip On Board (COB), 1W LED rechargeable inspection lamp, 7W COB to be used as an inspection lamp and 1 LED for use as a torch. Magnets on the base, lamp head which pivots 180°, supplied with USB C charging lead and mains USB charger.

### 4.2 SPECIFICATION

Stock nos.....98342, 98346, 98348

Part nos.....RIL/SL700/B, RIL/SL700/G, RIL/SL700/O

Battery:

Type .....Li-Ion

Rated Voltage .....3.7V

Rating .....2.6Ah

Charger:

Rated Voltage .....230V~

Rated Frequency .....50Hz

Rated Power Input .....9W

Rated D.C. Output Voltage .....5V DC

Rated D.C. Output Current .....1000mA

Construction .....Class II

Charging time .....4 hrs (approx.)

Lamp operating time:

7W COB LED inspection lamp

High .....2 hrs (approx.)

Low .....15 hrs (approx.)

1W SMD LED torch .....10 hrs (approx.)

Lamp luminosity:

7W COB inspection lamp

High .....700 lumens

Low .....60 lumens

1W SMD LED torch .....120 lumens

Dimensions.....65.5x46.5x397mm

### 4.3 HANDLING AND STORAGE

Do not drop the inspection lamp as this can damage and shorten the life span of the unit.

Store in a dry location as damp conditions can damage the inspection lamp.

Charging on a regular bases is advised to prolong the life of the battery cells.

## 5. HEALTH AND SAFETY INFORMATION

### 5.1 GENERAL SAFETY INSTRUCTIONS

General Power Tools Safety Warnings

**WARNING:** Read all instructions. Failure to follow

all instructions listed below may result in electric shock, fire and/or serious injury.

Save all warnings and instructions for future reference.

The term "power tool" in the warnings refers to your mains operated (corded) power tool or battery operated (cordless) power tool.

#### 1) Work area safety

- Keep work area clean and well lit.** Cluttered or dark areas invite accidents.
- Do not operate power tools in explosive atmospheres, such as in the presence of flammable liquids, gases or dust.** Power tools create sparks which may ignite the dust or fumes.
- Keep children and bystanders away while operating a power tool.** Distractions can cause you to lose control.

#### 2) Electrical Safety

- Power tool plugs must match the outlet.** Never modify the plug in any way. Do not use any adapter plugs with earthed (grounded) power tools. Unmodified plugs and matching outlets will reduce risk of electrical shock.
- Avoid body contact with earthed or grounded surfaces such as pipes, radiators, ranges and refrigerators.** There is an increased risk of electric shock if your body is earthed or grounded.
- Do not expose power tools to rain or wet conditions.** Water entering a power tool will increase the risk of electric shock.
- Do not abuse the cord. Never use the cord for carrying, pulling or unplugging the power tool.** Keep cord away from heat, oil, sharp edges or moving parts. Damaged or entangled cords increase the risk of electric shock.
- When operating a power tool outdoors, use an extension cord suitable for outdoor use.** Use of a cord suitable for outdoor use reduces the risk of electric shock.
- If operating a power tool in a damp location is unavoidable, use a residual current device (RCD) protected supply.** Use of an RCD reduces the risk of electric shock.

#### 3) Personal Safety

- Stay alert, watch what you are doing and use common sense when operating a power tool. Do not use a power tool while you are tired or under the influence of drugs, alcohol or medication.** A moment of inattention while operating power tools may result in serious personal injury.
- Use personal protective equipment. Always wear eye protection.** Protective equipment such as dust mask, non-skid safety shoes, hard hat, or hearing protection used for appropriate conditions will reduce personal injuries.

## 5. HEALTH AND SAFETY INFORMATION

---

- c) **Prevent unintentional starting. Ensure the switch is in the off position before connecting to power source and/or battery pack, picking up or carrying the tool.** Carrying power tools with your finger on the switch or energising power tools that have the switch on invites accidents.
- d) **Remove any adjusting key or wrench before turning the power tool on.** A wrench or a key left attached to a rotating part of the power tool may result in personal injury.
- e) **Do not overreach. Keep proper footing and balance at all times.** This enables better control of the power tool in unexpected situations.
- f) **Dress properly. Do not wear loose clothing or jewellery. Keep your hair, clothing and gloves away from moving parts.** Loose clothes, jewellery or long hair can be caught in moving parts.
- g) **If devices are provided for the connection of dust extraction and collection facilities, ensure these are connected and properly used.** Use of dust collection can reduce dust related hazards.

### 4) Power Tool Use and Care

- a) **Do not force the power tool. Use the correct power tool for your application.** The correct power tool will do the job better and safer at the rate for which it was designed.
- b) **Do not use the power tool if the switch does not turn it on and off.** Any power tool that cannot be controlled with the switch is dangerous and must be repaired.
- c) **Disconnect the plug from the power source and/or the battery pack from the power tool before making any adjustments, changing accessories, or storing power tools.** Such preventive safety measures reduce the risk of starting the power tool accidentally.
- d) **Store idle power tools out of the reach of children and do not allow persons unfamiliar with the power tool or these instructions to operate the power tool.** Power tools are dangerous in the hands of untrained users.
- e) **Maintain power tools. Check for misalignment or binding of moving parts, breakage of parts and any other condition that may affect the power tools operation. If damaged, have the power tool repaired before use.** Many accidents are caused by poorly maintained power tools.
- f) **Keep cutting tools sharp and clean.** Properly maintained cutting tools with sharp cutting edges are less likely to bind and are easier to control.
- g) **Use the power tool, accessories and tool bits etc., in accordance with these instructions, taking into account the working conditions and the work to be performed.** Use of the power tool for operations different from intended could result in a hazardous situation.

### 5) Battery Tool Use and Care

- a. **Recharge only with the charger specified by the manufacturer.** A charger that is suitable for one type of battery pack may create a risk of fire when used with another battery pack.
- b. **Use power tools only with specifically designated battery packs.** Use of any other battery packs may create a risk of injury and fire.
- c. **When battery pack is not in use, keep it away from other metal objects, like paper clips, coins, keys, nails, screws or other small metal objects, that can make a connection from one terminal to another.** Shorting the battery terminals together may cause burns or a fire.
- d. **Under abusive conditions, liquid may be ejected from the battery; avoid contact.** If contact accidentally occurs, flush with water. If liquid contacts eyes, additionally seek medical help. Liquid ejected from the battery may cause irritation or burns.

### 6) Service

- a. **Have your power tool serviced by a qualified repair person using only identical replacement parts.** This will ensure that the safety of the power tool is maintained.

## 5.2 ADDITIONAL SAFETY INFORMATION

- Do not point (shine) the light into any persons or animals eyes.
- Do not use near children.
- Store out of the reach of children.
- Do not put this unit into a fire or use near any flammable object.
- Do not use in explosive atmospheres or environments.
- Do not use excessive force on this product as it can permanently damage the inspection lamp.
- Only use the charger in a standard environment.
- Do not use the charger to charge any other product and only use the supplied charger to charge this inspection lamp.

## 5.3 CONNECTION TO THE POWER SUPPLY (CHARGERS)

Make sure the power supply information on the machine's rating plate are compatible with the power supply you intend to connect it to.

This lamp comes supplied with a UK standard 3 pin transformer. It is designed for connection to a domestic power supply rated at 230V AC.

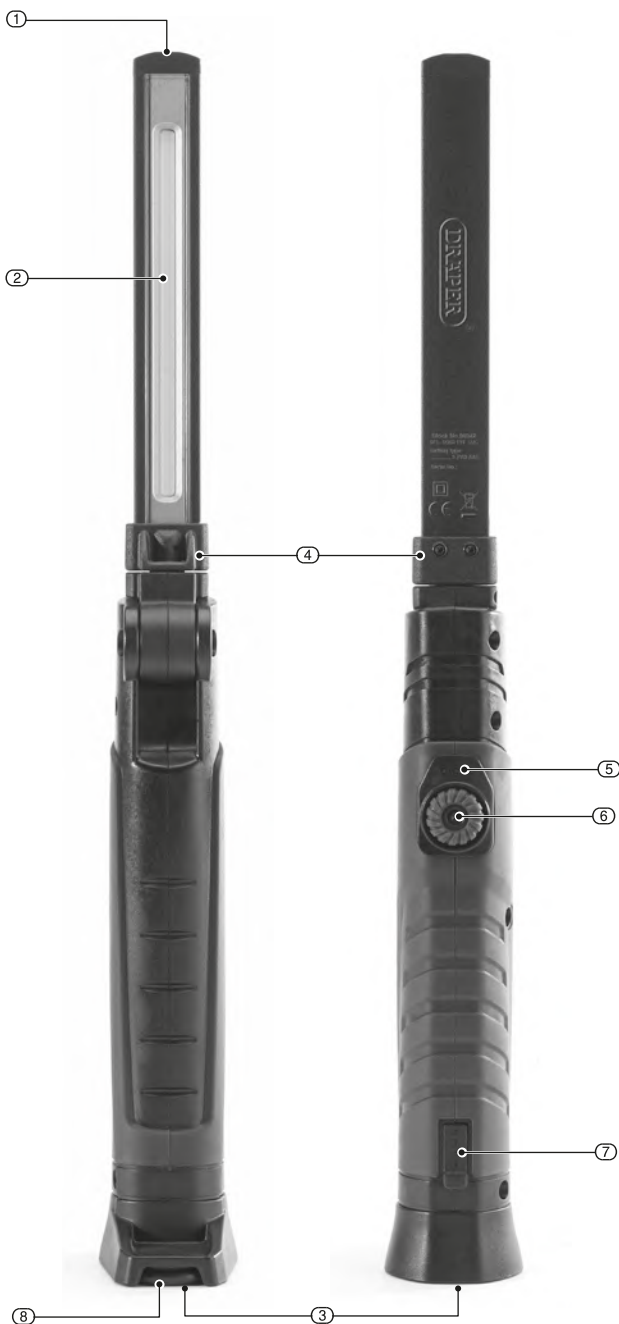
It is Class 2 (double insulated); is designed for connection to a power supply matching that detailed on the rating label and compatible with the plug fitted.

If an extension lead is required, use an approved and compatible lead rated for this appliance. Follow all the instruction supplied with the extension lead.

This product requires no earth connection as supplementary insulation is applied to the basic insulation to protect against electric shock in the event of failure of the basic insulation.

## 6. TECHNICAL DESCRIPTION

### 6.1 IDENTIFICATION



① 1W LED torch.

② 1W COB LED inspection lamp.

③ Magnetic base.

④ Pivoting head.

⑤ Power indicator.

⑥ On/off & rotary dimming switch.

⑦ USB C charging input behind sealed plug.

⑧ Hanging loop hook.

## 7. UNPACKING AND CHECKING

### 7.1 PACKAGING

Carefully remove the inspection lamp from the packaging and examine it for any sign of damage that may have happened during shipping. If any part are damaged or missing; please contact the Draper Helpline (the telephone number appears on the Title page) and do not attempt to use the lamp.

**Warning!** Some of the packaging materials used may be harmful to children. Do not leave any of these materials in the reach of children.

If any of the packaging is to be thrown away, make sure they are disposed of correctly; according to local regulations.

### 7.2 WHAT'S IN THE BOX?

As well as the inspection lamp; there are several parts not fitted or attached to it.



⑨ USB charger.

⑩ USB A to USB C charging lead.

## 8. ASSEMBLING THE INSPECTION LAMP

### 8.1 POWER SUPPLY

Before you connect the equipment to the power supply make sure that the data on the rating plate is identical to the supply voltage.

**Warning!** Always pull out the power plug before making adjustments to the equipment.

**Warning:** Do not connect the machine to the power supply before the product is completely assembled.

### 8.2 CHARGING

Connect the charging USB C cable (10) into the charging socket (7), which is located on the rear of the inspection lamp, this is protected by a dust cap which may need to be removed to gain access to the connector. Connect the 230V charger or 12V DC charger to a power supply and turn it on.



The battery charge LED indicator (5) will flash, charge for 4 hours or until the charging all LEDs illuminates.



The table below highlights the approximate hours of continuous usage available when fully charged:

COB High:	<b>2 hours</b>
COB Low:	<b>15 hours</b>
1W LED:	<b>10 hours</b>

Disconnect the charger from the inspection lamp when it is fully charged.

Lithium-ion cells prefer small charges often.

Lithium-ion technology is lightweight and compact due to increased capacity in comparison to other battery chemistries.

Lithium-ion cells have no 'memory effect' and a long cycle life with outstanding discharge performance.

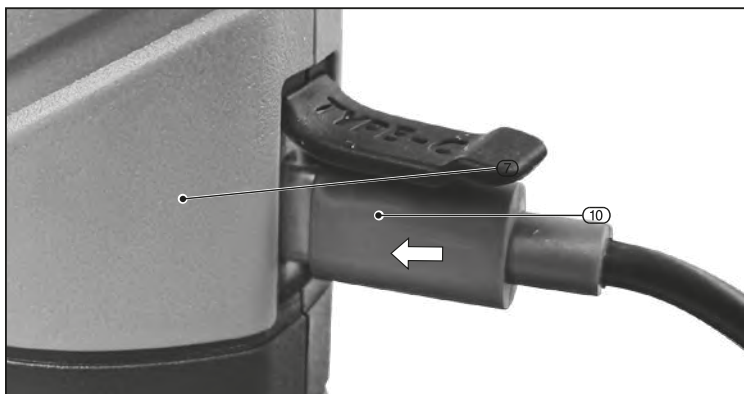
Lithium-ion cells suffer from a loss in capacity or thermal runaway if over charged and will degrade if allowed to enter deep discharge, however all of these situations are negated due to the complex circuitry incorporated within this product.

Charging must be carried out in an environment with an ambient air temperature between 5°C to 45°C with the transformer supplied.

To prevent overheating, do not cover the transformer.

**Attention:** If the cable is damaged or the non-self-resetting protective device is activated due to short circuit/overload the transformer shall be scrapped. A replacement of identical specification, design and application shall be obtained.

**Note:** Charging the unit with the 12V DC charger via a vehicle socket will drain the vehicle's battery unless the engine is running.



## 9. INSPECTION LAMP INSTRUCTION



### 9.1 OPERATION

**CAUTION:** Never shine the LED light directly into your or any one else's eyes.

To run through the sequence of modes (1 Watt LED, 7 Watt COB and off).

Press the on/off (6) button.

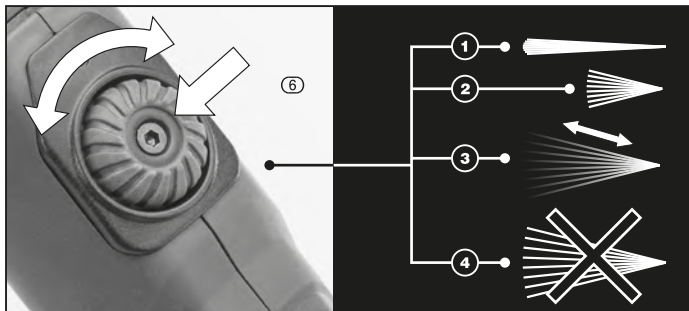
The lamp can be suspended by the magnet (3) located on the base of the lamp.

### 9.2 INSPECTION LAMP OPERATION

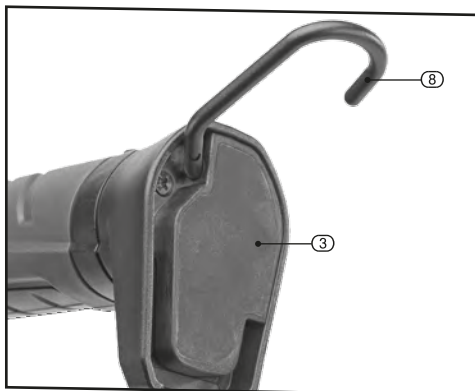
The inspection lamp is operated via the ON/OFF rotary dimming switch (6).

- 1 Press and hold to switch on the torch.
- 2 Press twice for inspection lamp.
- 3 Rotate until required brightness.
- 4 Press and hold to switch off the inspection lamp.

**Warning!** This inspection lamp is extremely bright. Do not shine directly into any person's or animal's eyes.



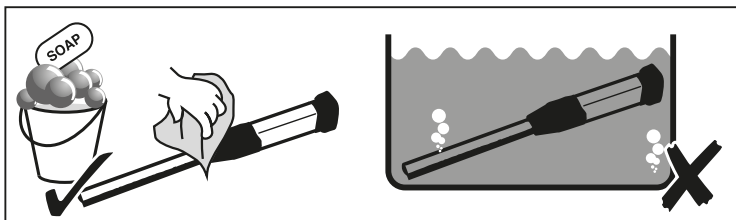
The lamp can be suspended by the hanging hook (8) or attached to a metal surface by the magnet (3) located on the base of the lamp.



## 10. MAINTENANCE

### 10.1 MAINTENANCE

Use only mild soap and a damp cloth to clean this inspection lamp. Do not submerge into liquid.





# 11. EXPLANATION OF SYMBOLS

## 11.1 EXPLANATION OF SYMBOLS



Class II construction (Double insulated).



230V charger adaptor



WEEE  
Do not dispose of Waste Electrical & Electronic Equipment in with domestic rubbish.



Li-ion

Lithium-ion product.  
Refer to your local authority for advice on disposal and recycling.



For indoor use only.  
Do not expose to rain.



Short-circuit-proof safety isolating transformer.

F



Non-self-resetting protective device.



Polarity indication.



Rated voltage.



Do not incinerate or throw onto fire.



Warning! Read the instruction manual.



Warning! Do not aim beam at bystanders or look directly into light source.

## 12. DISPOSAL

### 12.1 DISPOSAL

At the end of the machine's working life, or when it can no longer be repaired, ensure that it is disposed of according to national regulations.

Contact your local authority for details of collection schemes in your area.

In all circumstances:

- Do not dispose of power tools with domestic waste.
- Do not incinerate.
- Do not abandon in the environment.
- Do not dispose of WEEE\* as unsorted municipal waste.



Li-ion



### 12.2 HEALTH AND SAFETY FOR BATTERIES

**Warning!** Do not put in fire or mutilate – cells may burst or release toxic materials.

- Do not short circuit cells, may cause burns.
- The battery must be removed from the appliance before it is scrapped.
- The battery is to be disposed of safely.
- Do not mutilate batteries, corrosive electrolyte will be released.
- Do not incinerate – danger of explosion and release of toxic fumes.
- Do not dispose of batteries or cells in a charged condition.

Expired lithium-ion batteries must be recycled/disposed of in accordance with the appropriate regulation or legislation. They should be returned to your local warranty agent/stockist.

\* Waste Electrical & Electronic Equipment.

## CONTACTS

Draper Tools Limited, Hursley Road,  
Chandler's Ford, Eastleigh, Hampshire. SO53 1YF. U.K.

Help line: (023) 8049 4344

Sales desk: (023) 8049 4333

Internet: [drapertools.com](http://drapertools.com)

E-mail: [sales@drapertools.com](mailto:sales@drapertools.com)

General enquiries: (023) 8026 6355

**Service/Warranty Repair Agent:**

For aftersales servicing or warranty repairs, please contact the Draper Tools help line for details of an agent in your local area.

YOUR DRAPER STOCKIST

DBTL0520

©Published by Draper Tools Limited.

No part of this publication may be reproduced, stored in a retrieval system or transmitted in any form or by any means, electronic, mechanical photocopying, recording or otherwise without prior permission in writing from Draper Tools Ltd.