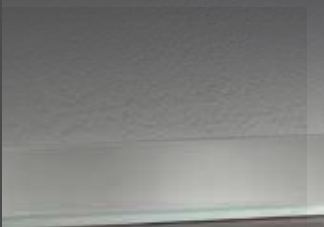


EXP

CONSTRUCT SKIRTING SYSTEMS

DURAL



BRILLIANT
EDGES FOR
ANY FLOOR

TILED
NATURAL STONE
PARQUET
LAMINATE
CARPETED
FLOORS
DESIGN
SURFACING



CONSTRUCT *Square*
CONSTRUCT *Elegant*
CONSTRUCT *Metal*
CONSTRUCT *Reno*
CONSTRUCT *Carpet*
CONSTRUCT *Solid Core*



CONSTRUCT SKIRTING SYSTEMS

The skirting is like a frame for a picture. For each frame you need to know the way of fixing, the kind of corners and colour palette in the room. Dural offers many different skirtings with various designs.

CONTENTS

CONSTRUCT SKIRTING SYSTEMS

CONSTRUCT <i>Square</i>	Aluminium skirting in one piece with a square cross-section	4-5
CONSTRUCT <i>Elegant</i>	Removable skirting strip with cable duct	6-7
CONSTRUCT <i>Metal</i>	Stylish skirting strip for adhesive bonding in stainless steel	8-9
CONSTRUCT <i>Metal</i>	Stylish skirting strip for adhesive bonding in aluminium	10-11
CONSTRUCT <i>Reno</i>	Single-piece aluminium skirting for installation over existing skirtings	12-13
CONSTRUCT <i>Carpet</i>	Skirting strip for the adhesive bonding of fitted carpets	14-15
CONSTRUCT <i>Solid Core</i>	PVC core skirting strip	14-15



CONSTRUCT *Square*

Elegant and discrete but nevertheless decorative made of premium quality aluminium and available in two different colours - this is the new CONSTRUCT *Square* skirting strip. Silver anodised or white powder-coated, this skirting fits harmoniously into the bright architecture of modern interior design. Just being 60 mm high, it produces discrete transitions between flooring surfaces and wall designs and an internal cavity of 10 mm offers ample space for all cable types. Internal and external corners and end caps are created by a versatile accessory piece, making it possible to master any interior layout using only two system components.



TECHNICAL SPECIFICATIONS

Material	Aluminium
Colours	anodised: silver powder-coated: white
Height	60 mm
Width	10 mm
Length	250 cm
Accessories	Special parts: For universal use there exist internal or external corners as well as end caps.

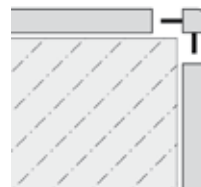
Universal use as either internal or external corner and end cap.



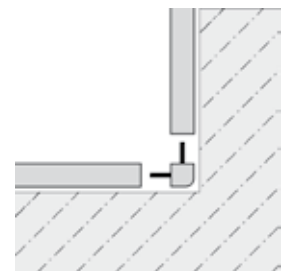
Silver anodised



white powder-coated



Special part:
external corner



Special part:
internal corner



Special part:
end cap left



Special part:
end cap right

CONSTRUCT *Square*

Aluminium skirting strip in one piece with a square cross-section



CONSTRUCT *Elegant*

Removable skirting strip with cable duct




■ CONSTRUCT *Elegant*

CONSTRUCT *Elegant* is a stylish skirting system in anodised aluminium with a concealed fixing for all flooring surfaces. The skirting can be removed without using tools, and cables can be laid between the wall bracket and the cover. Matching end pieces, connectors and end caps complete the good visual appearance.



TECHNICAL SPECIFICATIONS

Material	Aluminium anodised
Colour	silver
Height	70 mm
Width	11 mm
Length	250 cm
Accessories	External corner, internal corner, connectors, end caps, wall holder
	

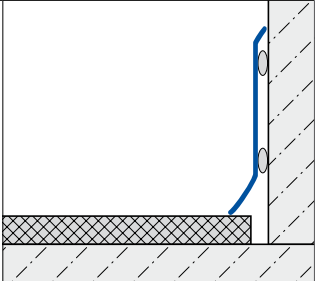


CONSTRUCT *Metal* Stainless Steel

CONSTRUCT *Metal* „Stainless Steel“ is an elegant skirting system made of high polished V2A stainless steel, useable for all flooring surfaces. Installation can be quickly and easily be done by using the matching adhesive.



TECHNICAL SPECIFICATIONS

Material	Stainless Steel (V2A)
Surface	high glossy
Height	60, 80 mm
Width	11 mm
Length	250 cm
	



CONSTRUCT *Metal*

Adhesive skirting in stainless steel



To create the desired radius simply use the CONSTRUCT *Metal* skirting with the Dural „Z-Flex Curver“.

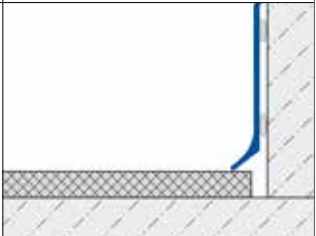
Z-Flex

CONSTRUCT *Metal* Aluminium

CONSTRUCT Metal „Aluminium“ is an elegant skirting system made of anodised aluminium for all flooring surfaces. Five decorative finishes ensure a perfect appearance. Matching end caps and connectors are available to complete the system.



TECHNICAL SPECIFICATIONS

Material	Aluminium anodised
Colour	silver, silver brushed, gold, champagne, titanium
Height	40*, 60, 80, 100 mm
Width	11 mm
Length	250 cm
Accessories	External corner, internal corner, connectors, end caps
	

*only in silver



CONSTRUCT *Metal*

Adhesive skirting in aluminium



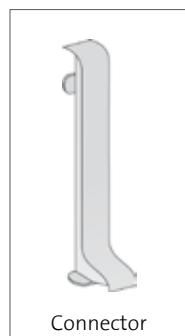
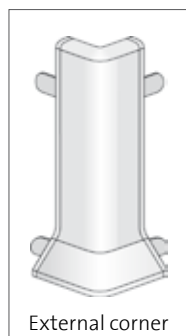
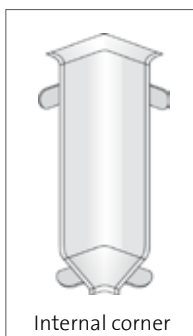
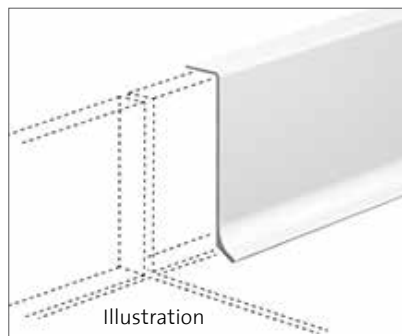
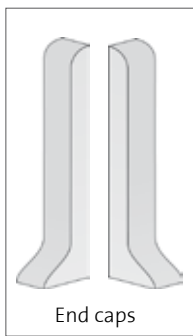
CONSTRUCT *Reno*

Single-piece aluminium skirting for installation over existing skirtings



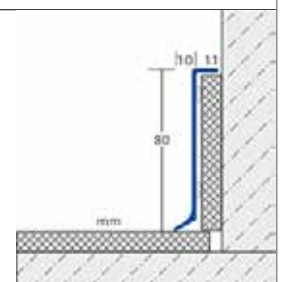
■ CONSTRUCT *Reno*

Construct Reno can be easily installed over existing skirtings without the need to remove them first. Made of anodised aluminium, the product is very versatile and can be combined with a variety of floor coverings to give spaces a modern look. Featuring a height of 80 millimetres and a depth of 21 millimetres, the skirting can be easily applied over existing skirtings. For fastening, the Speed Flex polymer adhesive from Dural is quite suitable and allows for quick and easy installation thanks to its high initial strength. Complementing the product offer are fitting corners, connectors and end caps.



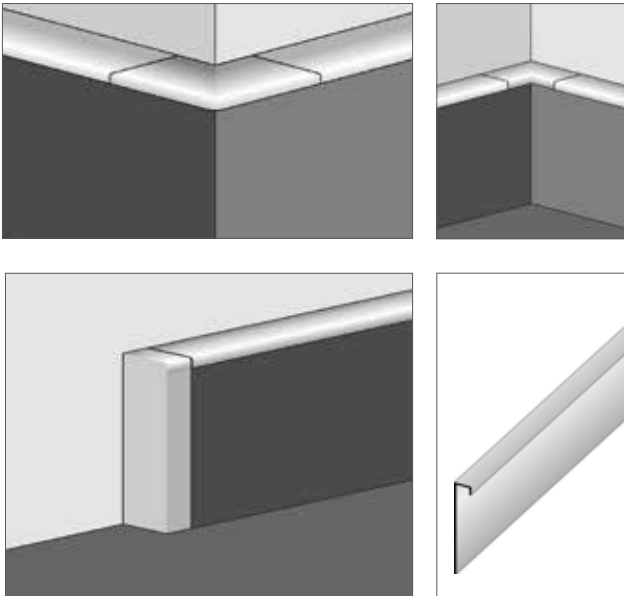
TECHNICAL SPECIFICATIONS

Material	Aluminium anodised
Colour	silver
Height	80 mm
Width	21 mm
Length	250 cm



CONSTRUCT *Carpet*

PVC skirtings for sticking fitted carpet pieces for a perfect carpet laying. Internal and external corners are also available.

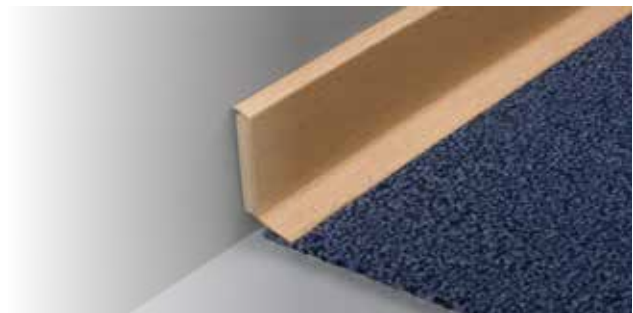
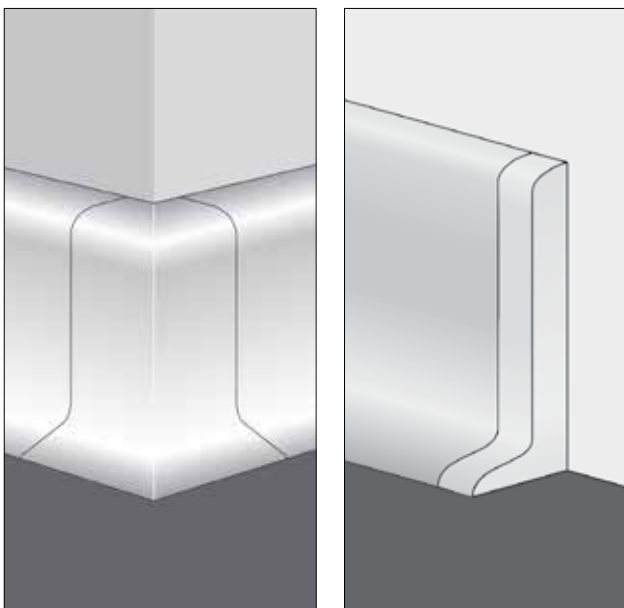


TECHNICAL SPECIFICATIONS

Material	PVC, PVC/MDF
Colour	dark grey, light grey, white, black
Wood finish	light oak, beech, pine
Height	55 mm
Width	7 mm
Length	250, 255, 515 cm
Accessories	External corner, internal corner, end caps

CONSTRUCT *Solid Core*

PVC skirtings in modern unique colours and wood finishes. No gluing of the fitted carpet required. Suitable for all floor types. The reinforcement of the backing using an MDF core or foamed PVC helps to cover edge joints.



TECHNICAL SPECIFICATIONS

Material	PVC/PVC, PVC/MDF
Colours	PVC: white, beige, black, dark grey, light grey
Wood finish	grey brown, beech, rustic oak, walnut, light oak, pine, cherry mahogany
Height	60, 100 mm
Length	250, 255, 515 cm
Accessories	End caps

CONSTRUCT *Carpet*

Skirting strip for sticking carpet

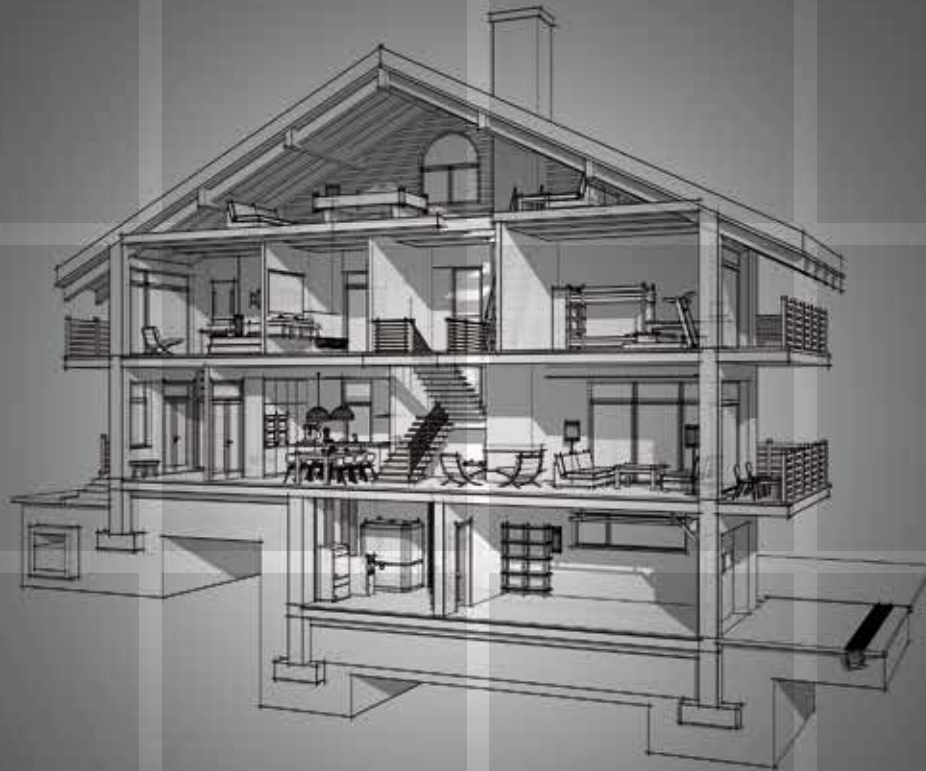
CONSTRUCT *Solid Core*

Standard PVC skirting strip



DURAL is a comprehensive provider of floor-level shower systems, profiles and matting systems for walls and floors

DURAL



Tile profiles

Expansion joint and
movement joint profiles

Decoupling and drainage
mats

Barrier-free, floor level
shower systems

LED-Profiles

LED-Lightings

Skirting Profiles

Profiles for Balconies /
Terraces / Entranceways

Doormat systems

Step nosing profiles

Profile systems
for parquet, laminate,
carpet and design
flooring

Tactile orientation aids

Recommended by:



DURAL GMBH

Südring 11

D-56412 Ruppach-Goldhausen

Tel.: +49[0]2602/9261-0

Fax: +49[0]2602/9261-50

info@dural.com

www.dural.com