

TOOLS REQUIRED



Cordless
Screwdriver



5mm Hex Bit
(Supplied)



Soft
Mallet



Wire
Cutters



Sealant

PACKAGING CONTENTS



Eaves Beams



Ridge



Hips



Rafters



5mm Hex Bit



Rafter Outer
End Cap



Rafter Inner
End Cap



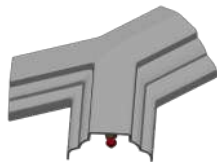
Hip Outer
End Cap



Hip Inner
End Cap



Eaves Beam
Corner Bracket



Boss Top Cap



M8x60mm
Rafter Bolts



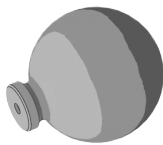
M8x70mm
Hip Bolts



M8x20mm
Isolating Collar
Bolts



Tapered
Washers



Ball
Finial



4.8x63mm
Eaves Beam
Screws



Support
Block



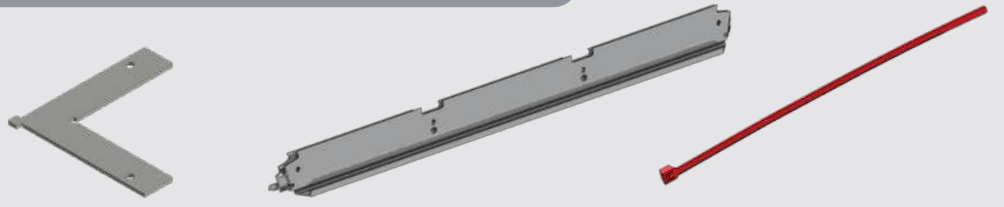
Fir Tree
Clips



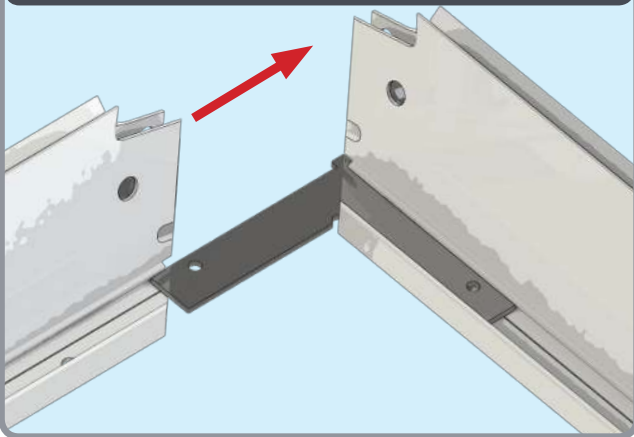
Tie-
Wrap

EAVES BEAM

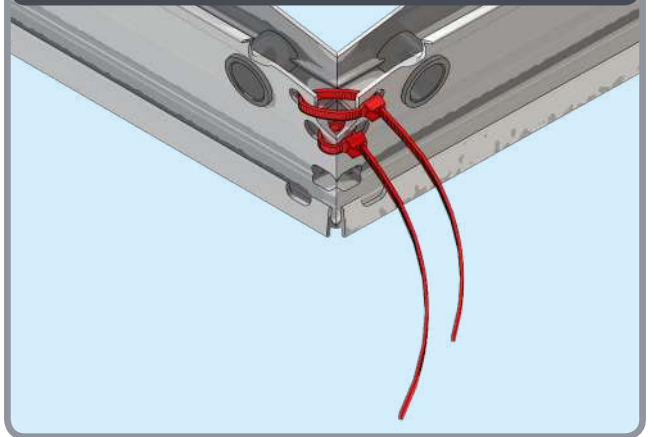
1



1 Slide together using corner brackets



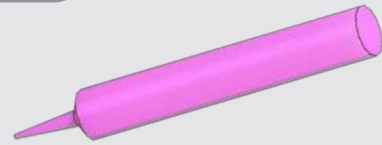
2 Temporarily secure corners with tie-wraps



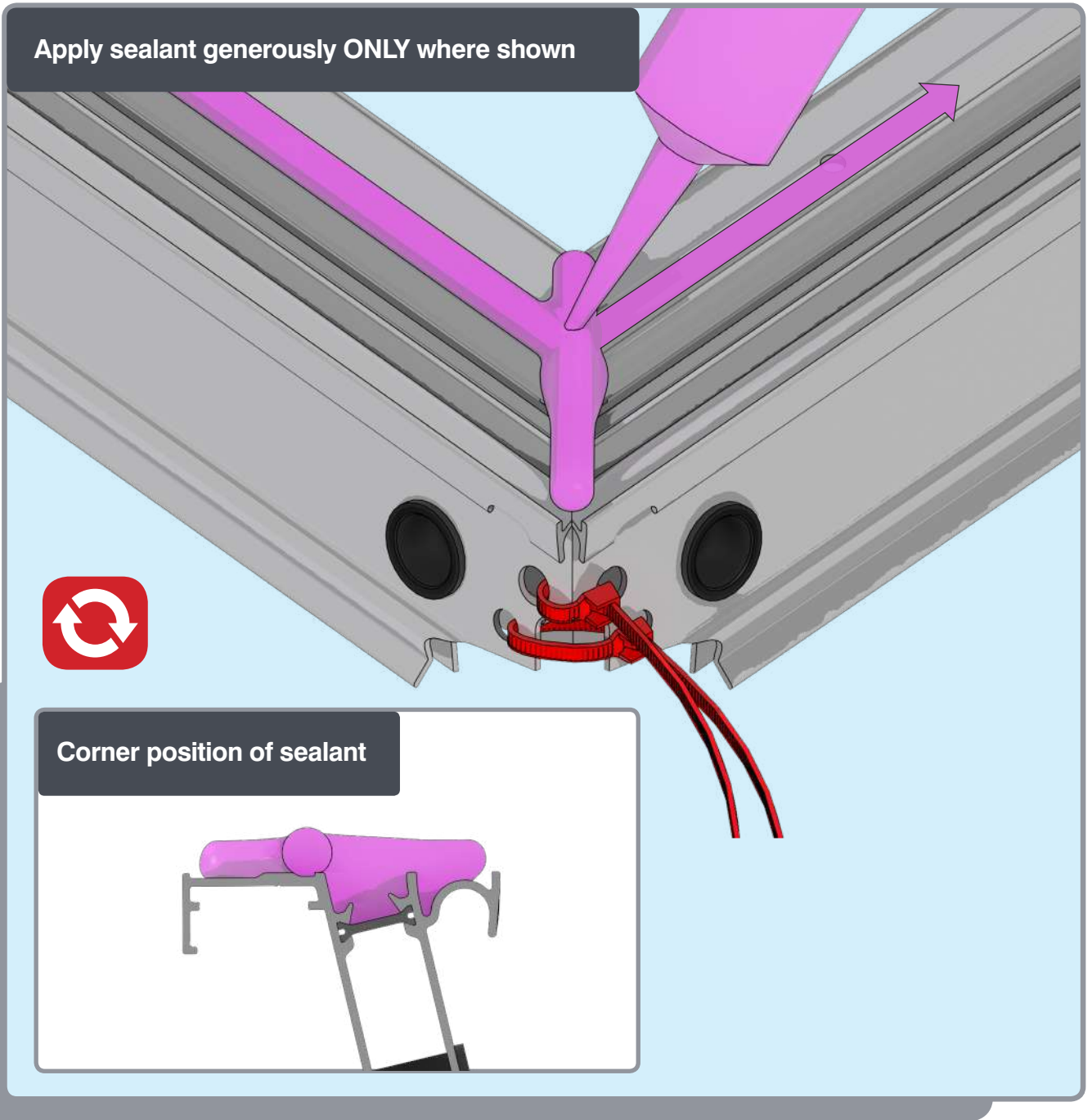
Ensure corner is closed up tightly

APPLYING SEALANT

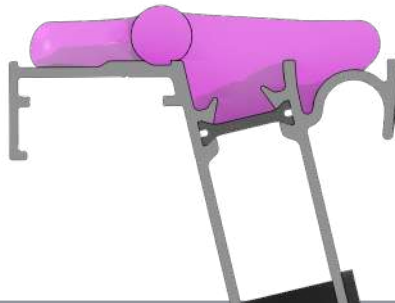
2



Apply sealant generously **ONLY** where shown



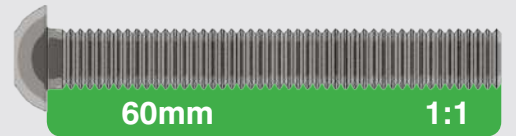
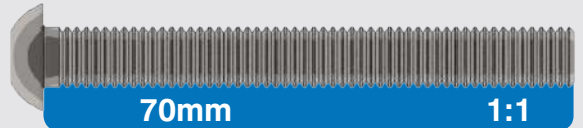
Corner position of sealant



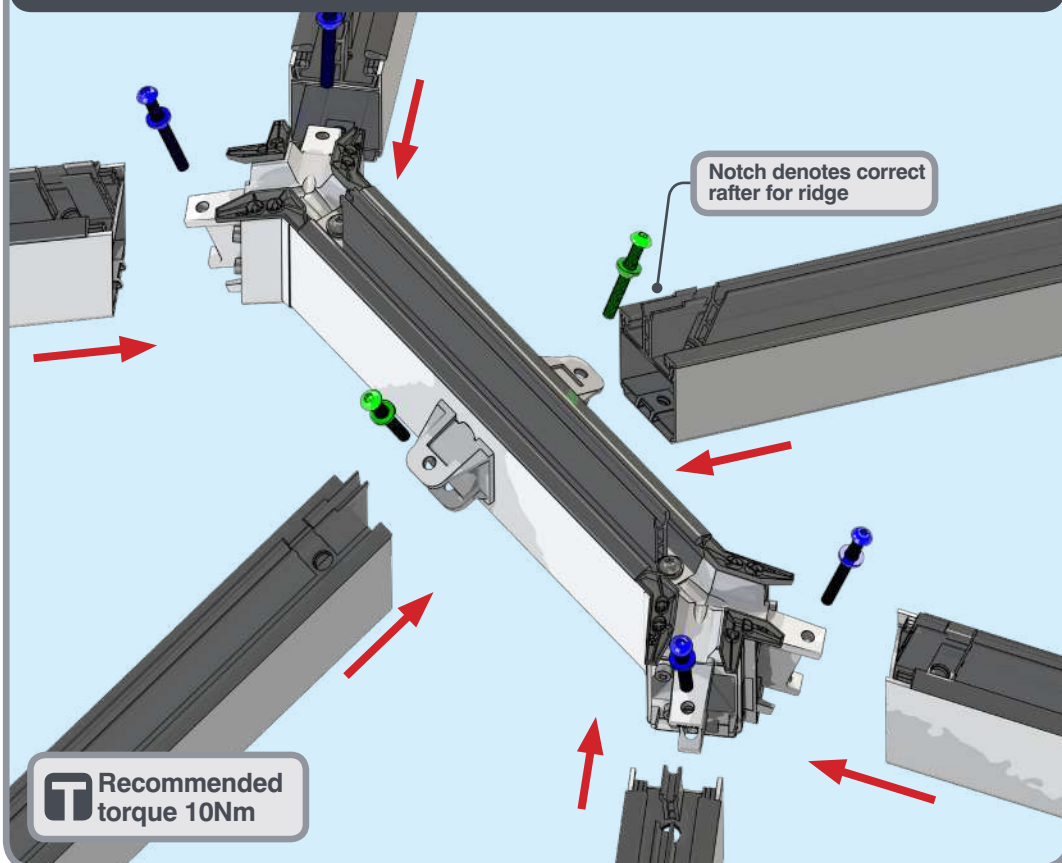
- **DO NOT** screw down yet
- Only apply sealant where indicated

SPIDER ASSEMBLY

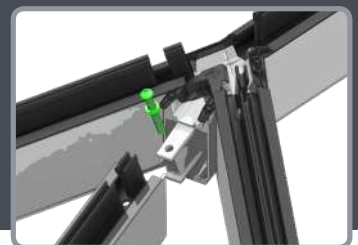
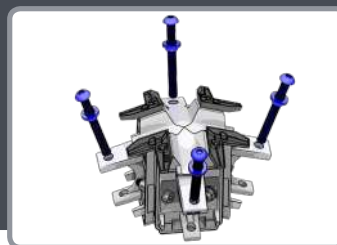
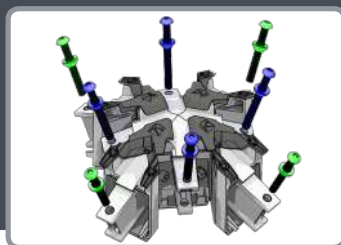
3



- 1 Secure hips to boss using **70mm bolts** and tapered washers.
- 2 Secure rafters using **60mm bolts** and tapered washers.



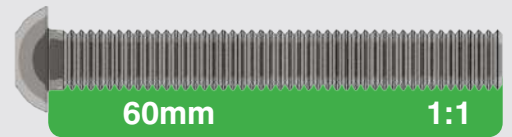
Boss variations



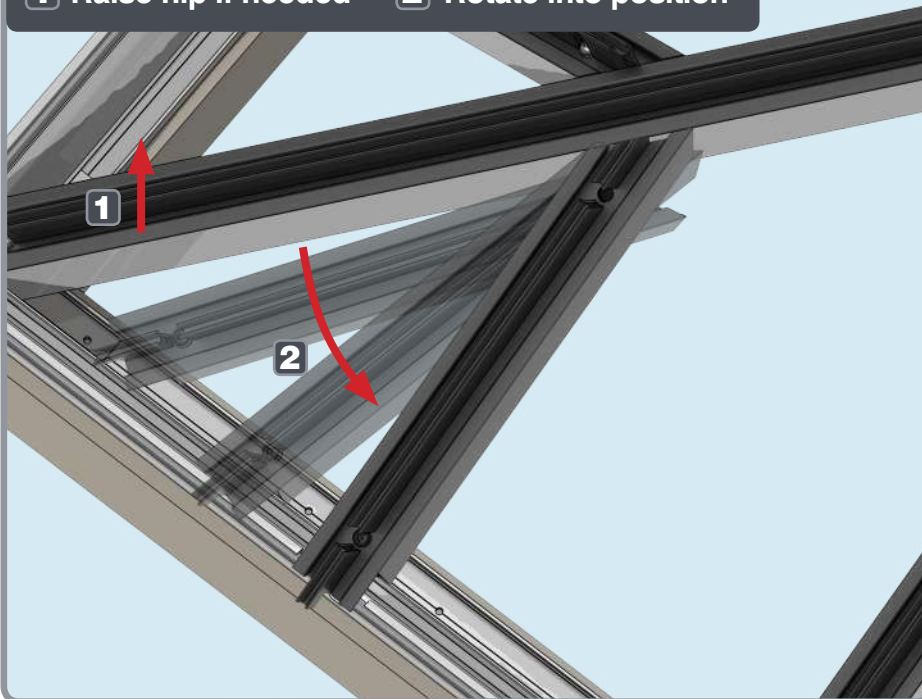
Ensure correct size bolts and tapered washers are used

JACK RAFTERS (OPTIONAL)

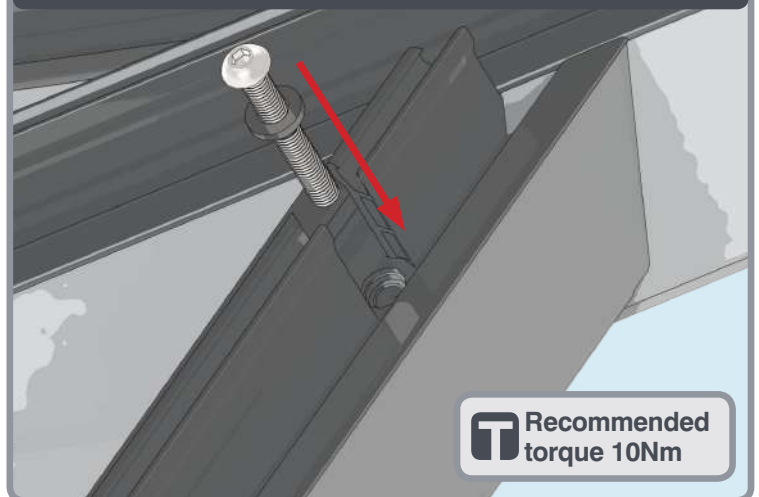
4



- 1 Raise hip if needed
- 2 Rotate into position



- 2 Secure using 60mm bolts and tapered washers.



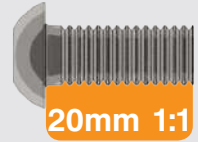
T Recommended torque 10Nm



Ensure correct size bolts and tapered washers are used

ATTACHING SPIDER

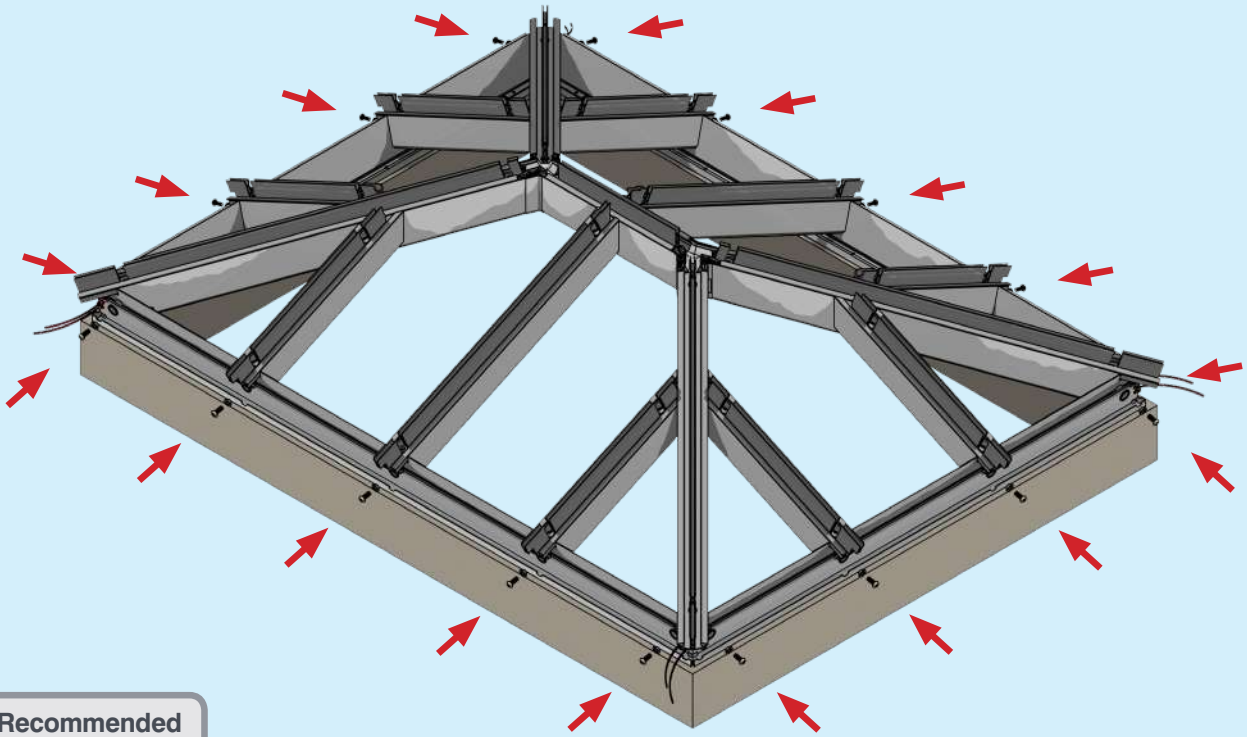
5



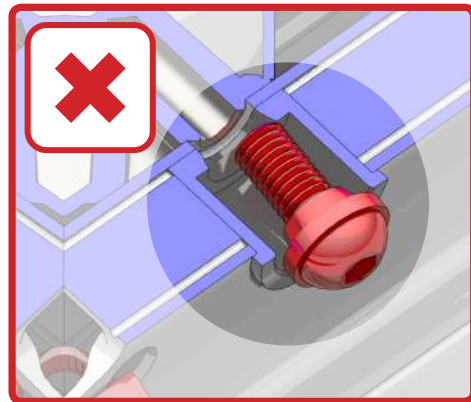
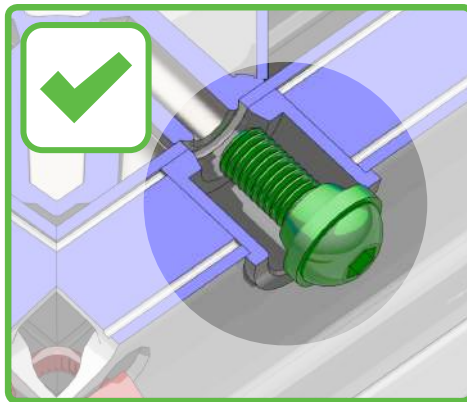
1 Loosely fit all 20mm bolts

2 Tighten bolts fully

3 Remove tie wraps



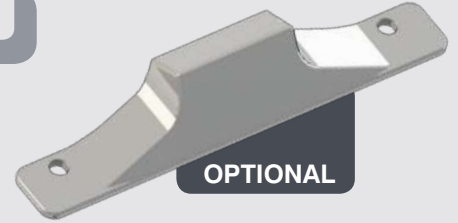
 Recommended torque 10Nm



BEWARE not to cross thread bolts when fastening

FIXING DOWN

6

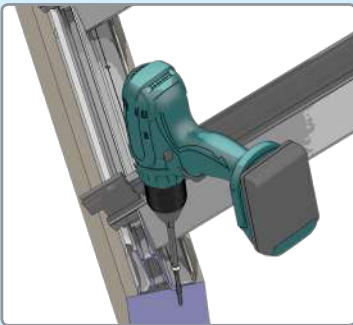
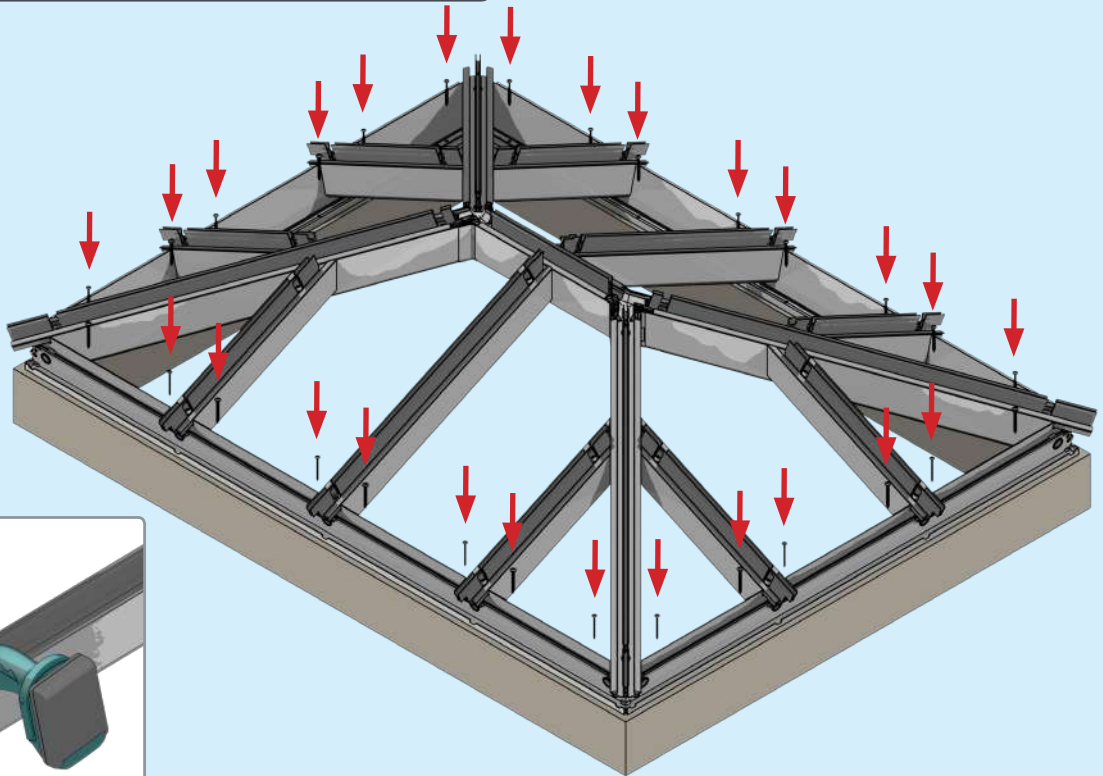


OPTIONAL

1 Position if supplied



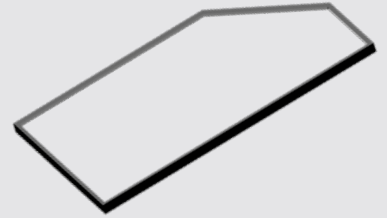
2 Fasten down through pre-drilled holes



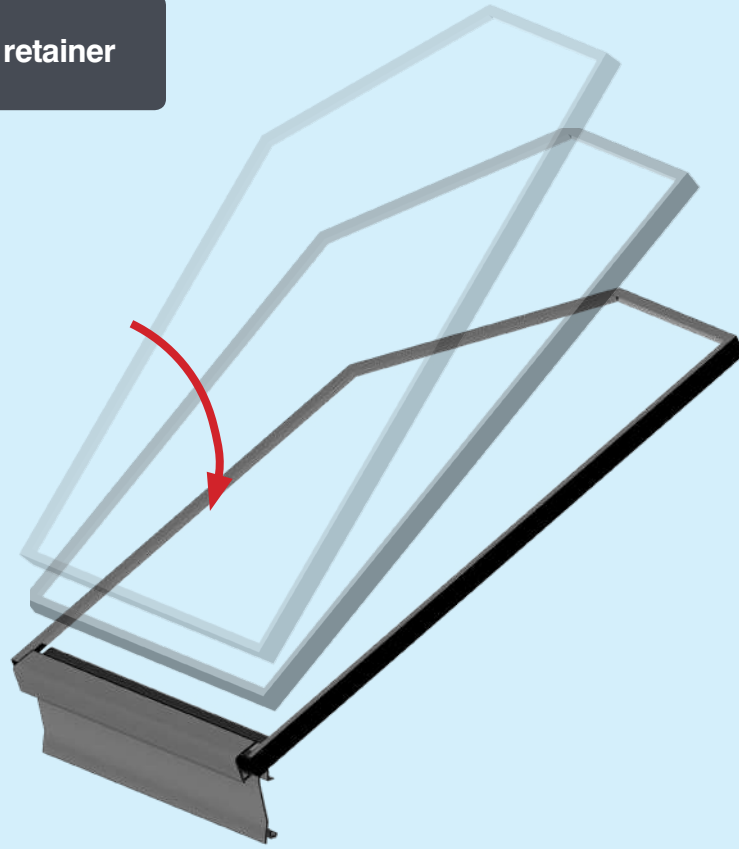
- **USE** packers under eaves beam to support each screw
- **CHECK** eaves beams are fully sealed to upstand

GLASS RETAINER

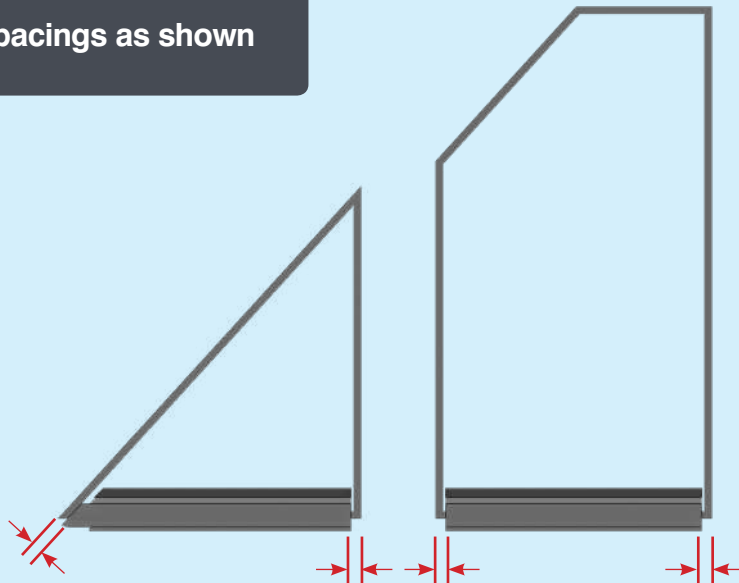
7



1 Slide glass into retainer



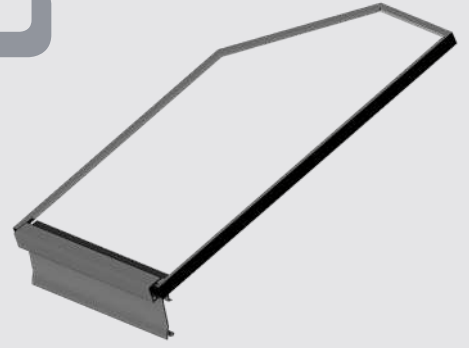
2 Set spacings as shown



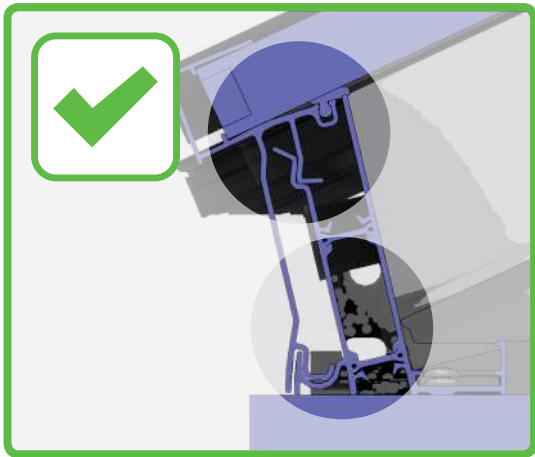
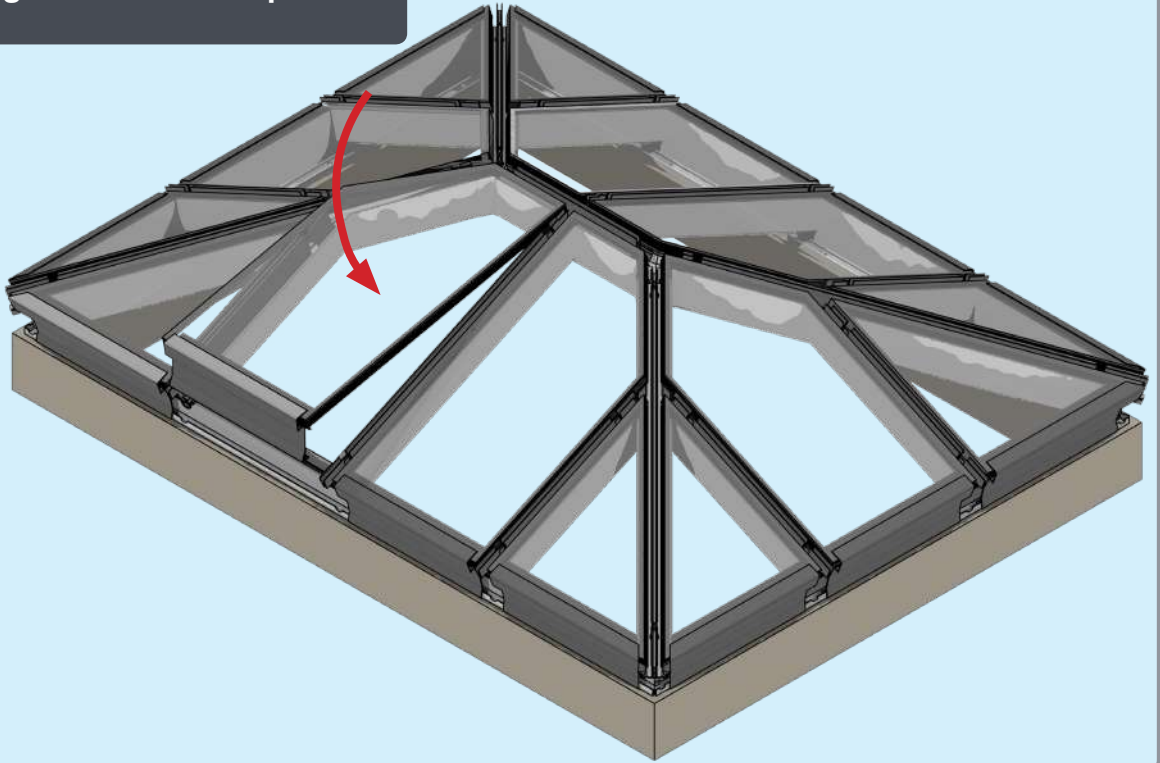
Dimensions shown approx 15mm

GLAZING

8



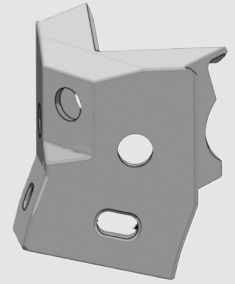
Locate top edge and rotate into position



Ensure retainer is seated as shown

HIP LOWER ENDCAP

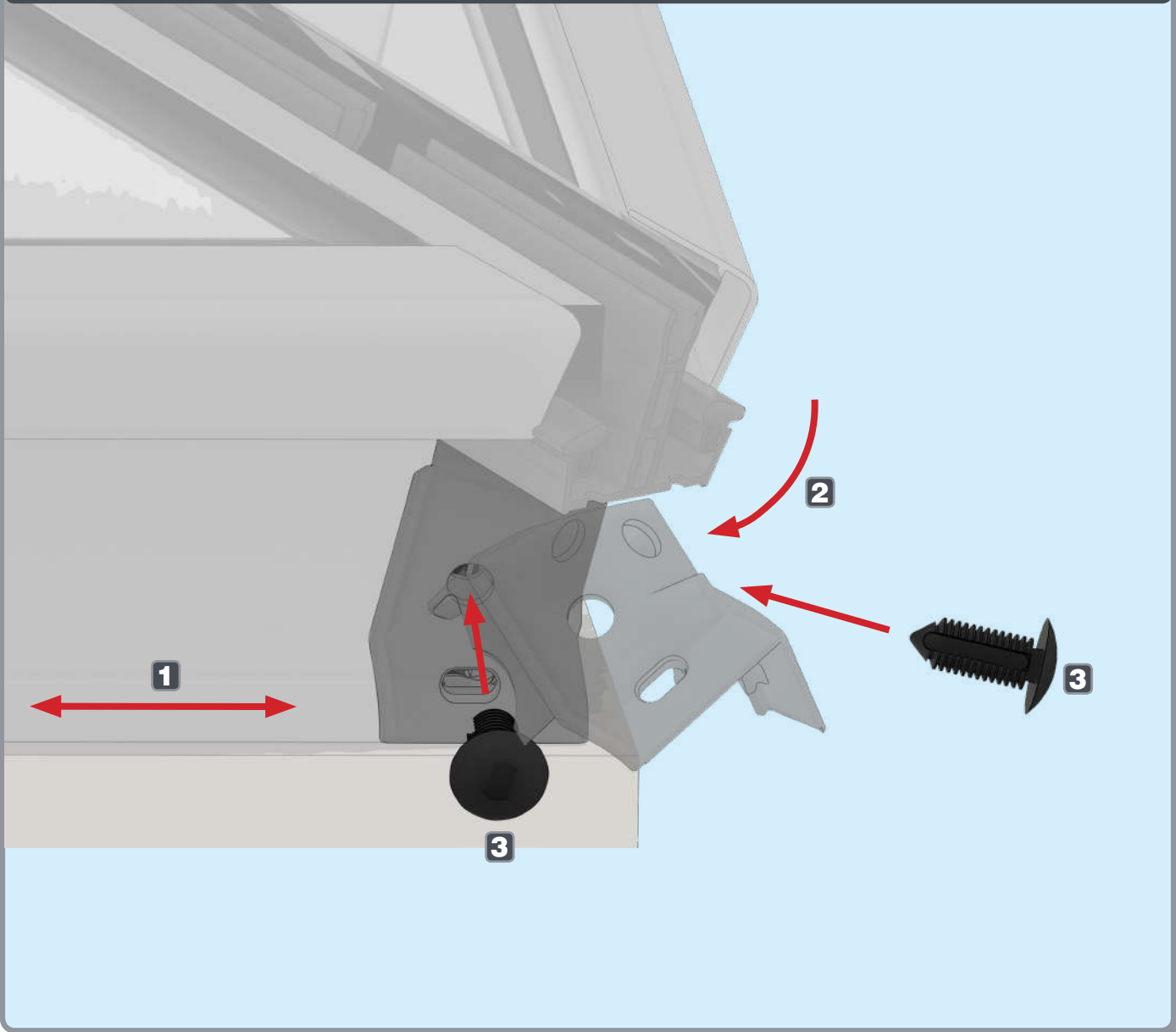
9



1 Adjust glass retainer

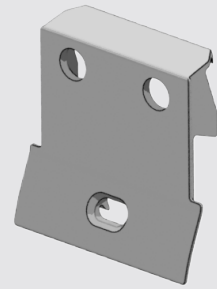
2 Rotate into position

3 Use mallet to fit clips

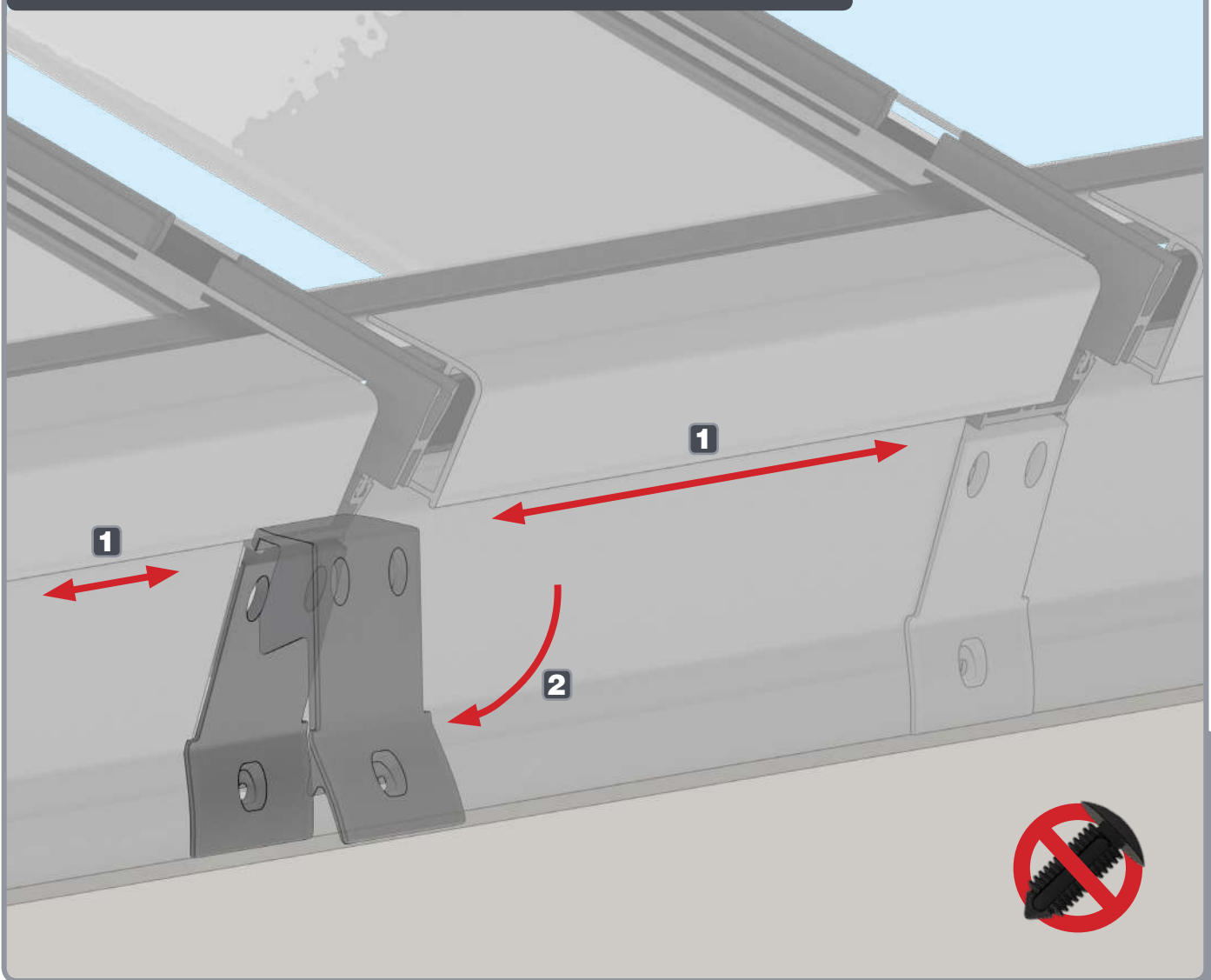


LOWER RAFTER ENDCAPS

10

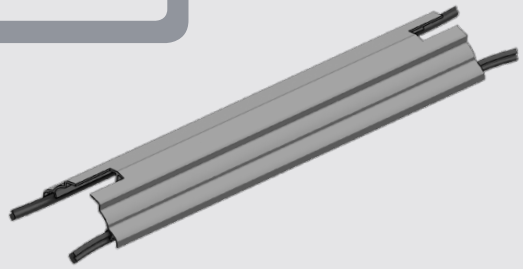


- 1** Adjust glass retainer
- 2** Rotate into position

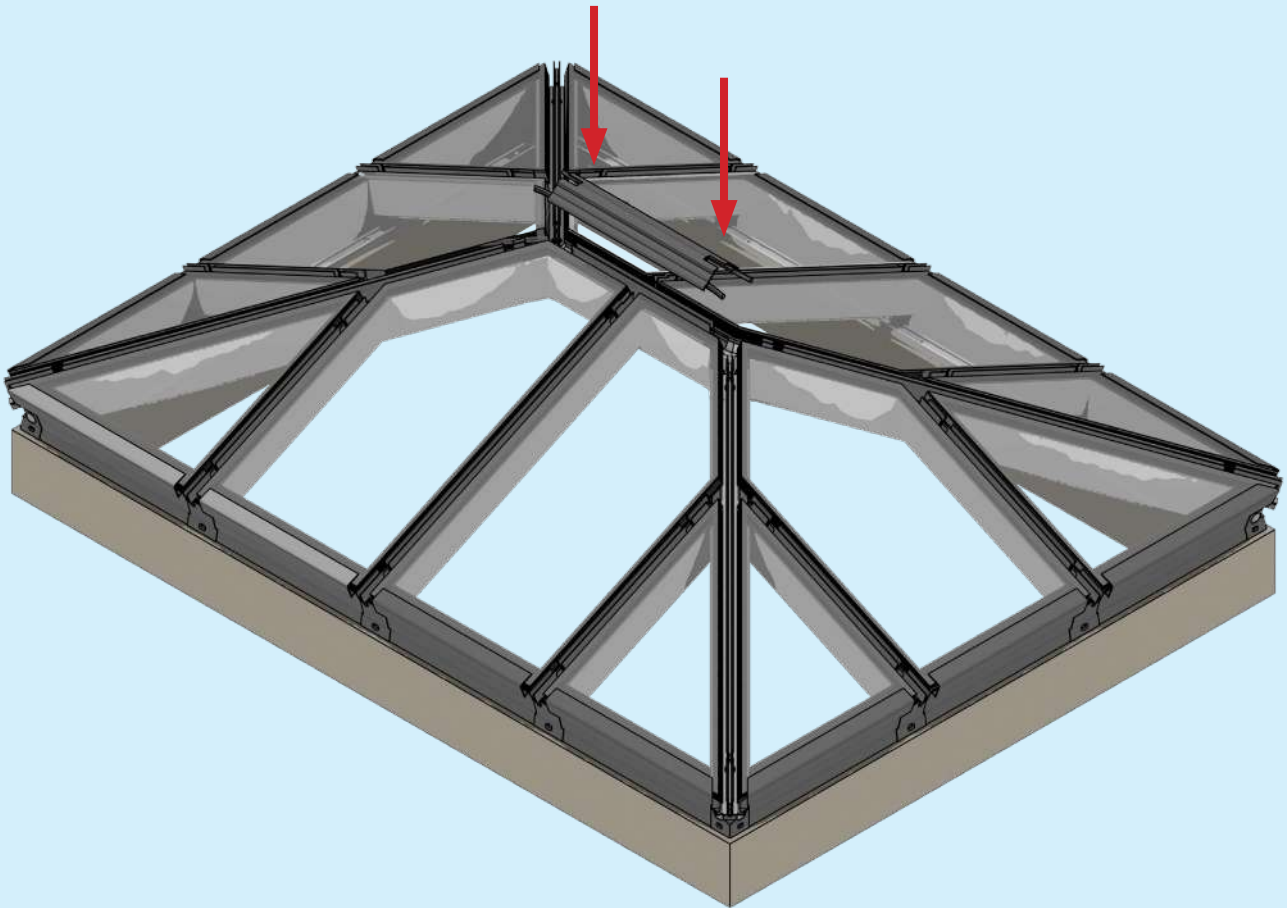


RIDGE TOP CAP

11



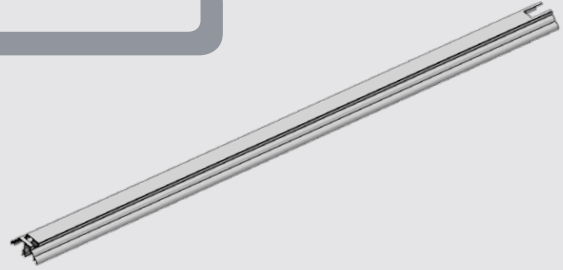
Clip top cap on to ridge and space centrally



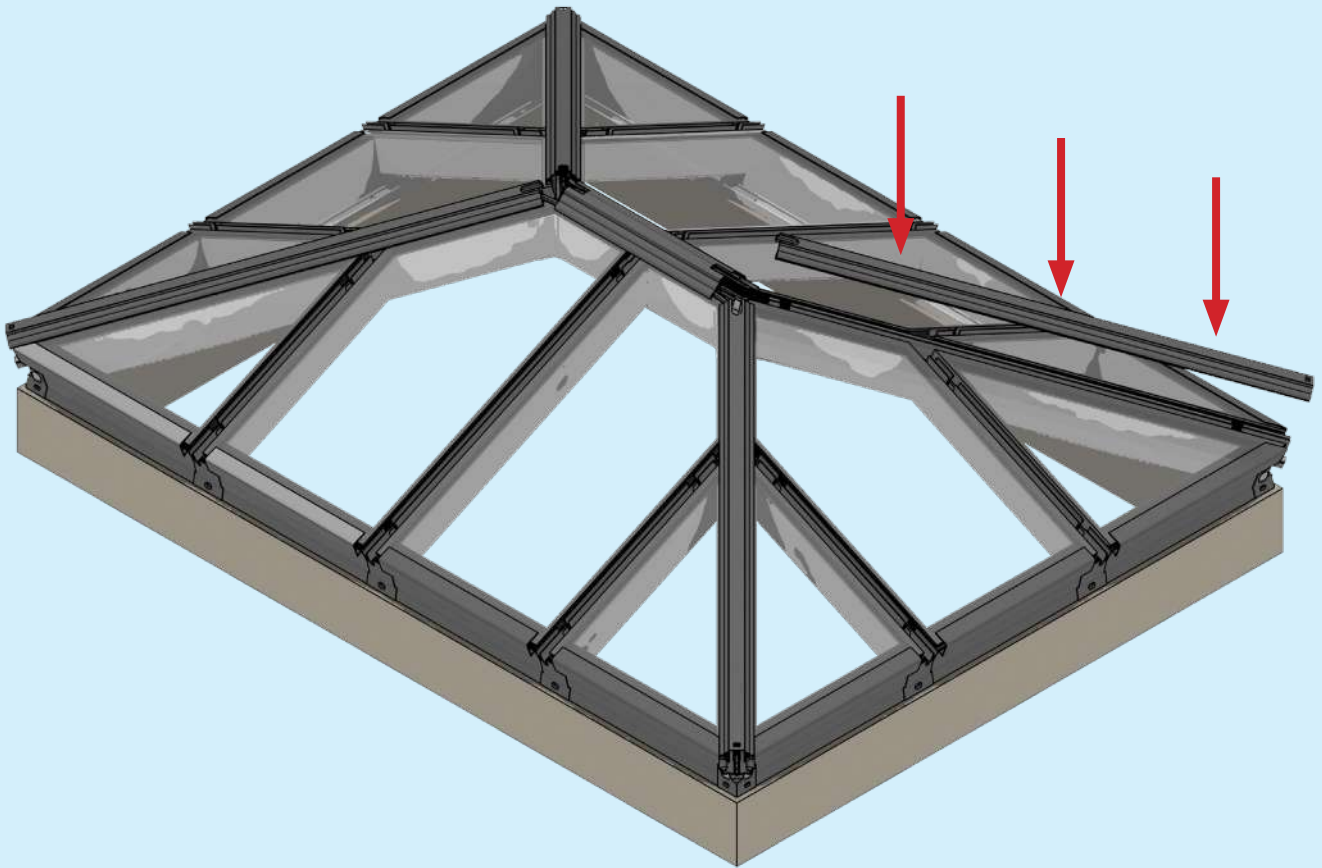
Leave gaskets overlong

HIP TOP CAPS

12



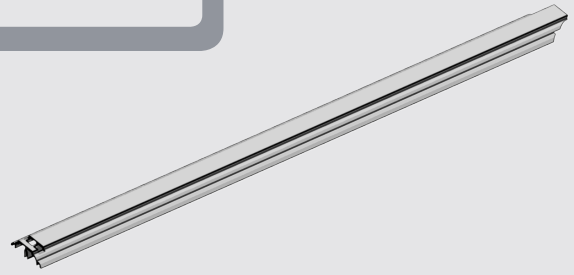
Clip top caps on to hips



Ensure top cap lower end aligns with the lower end of hip

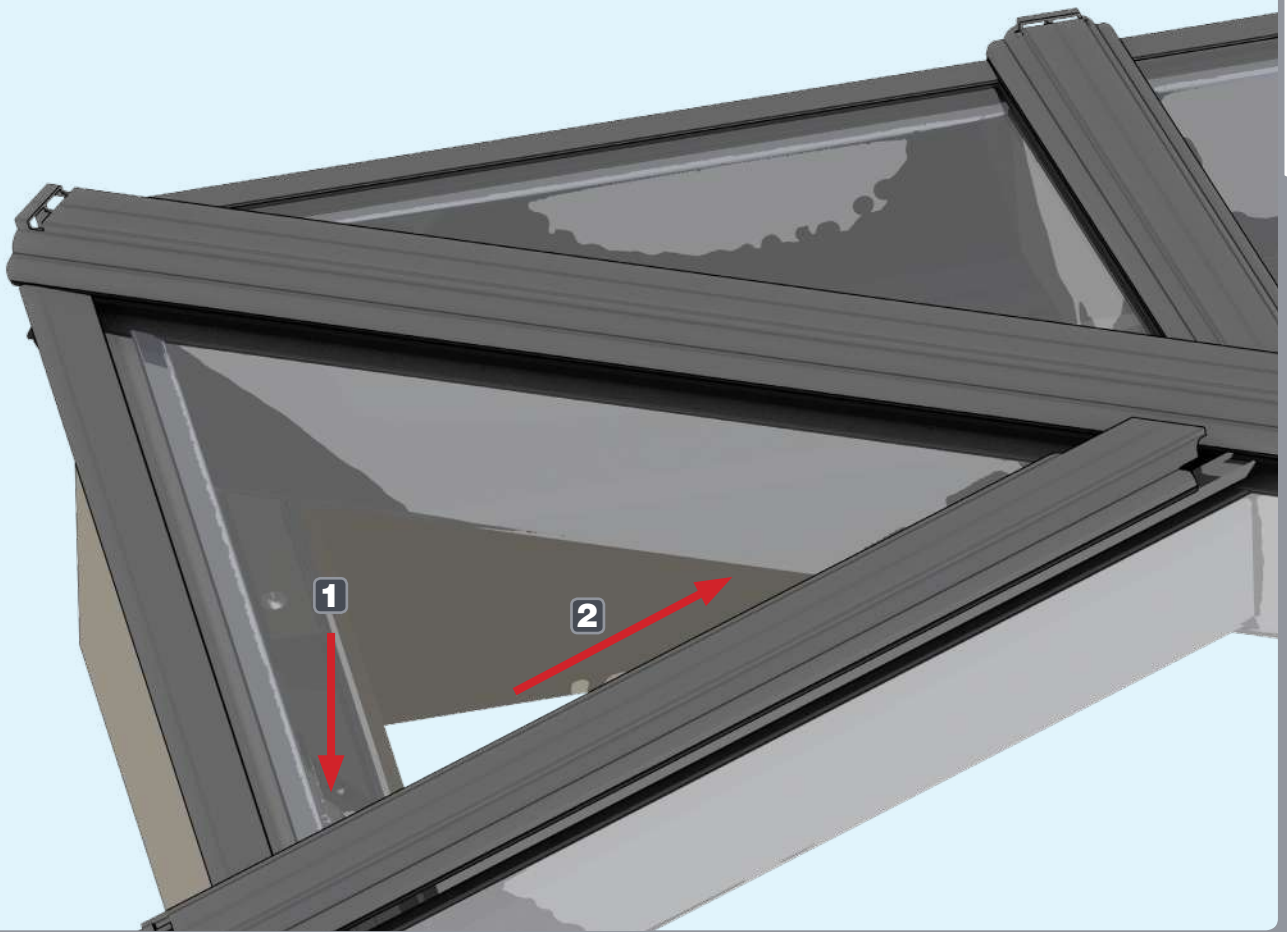
RAFTER TOP CAP

13



1 Clip top caps on to rafters

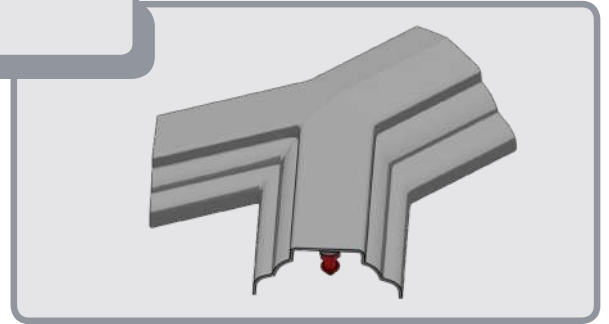
2 Tap up into position



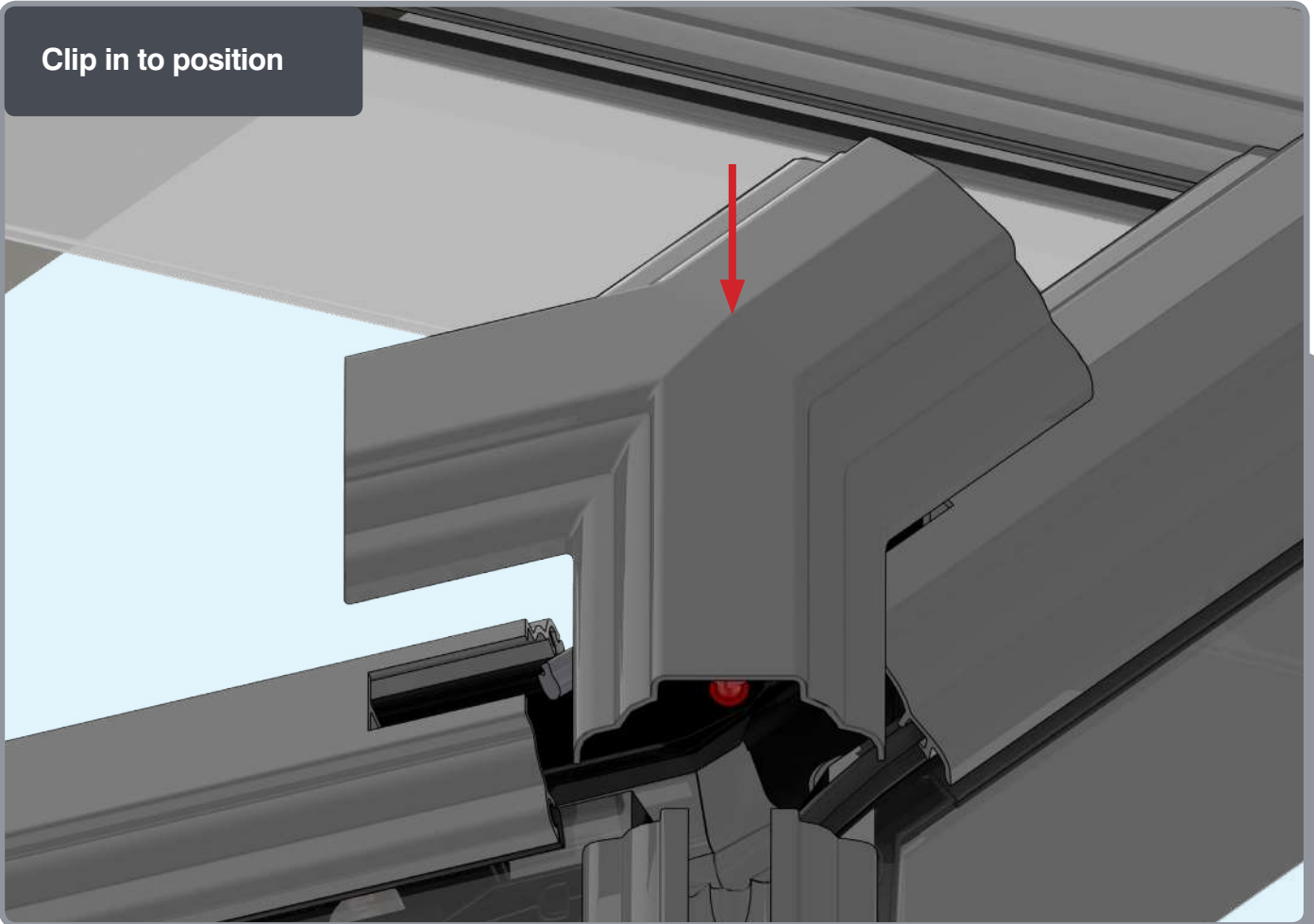
Ensure top cap lower end aligns with lower end of rafter

BOSS TOP CAPS

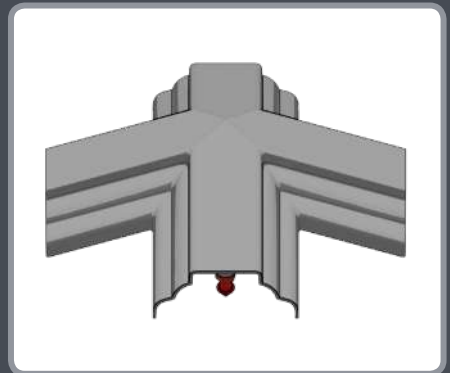
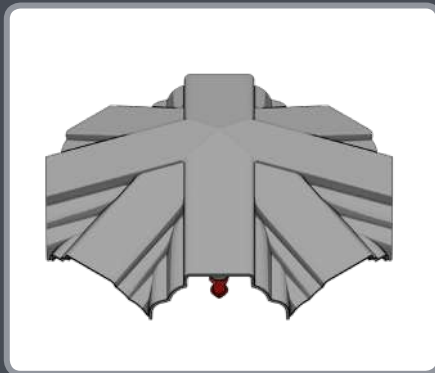
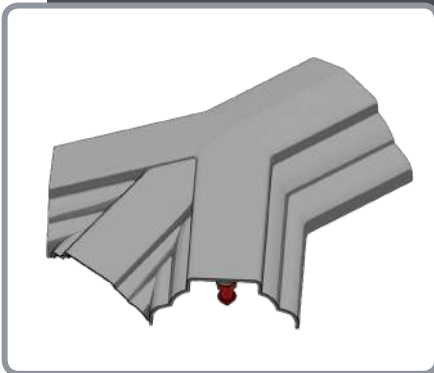
14



Clip in to position

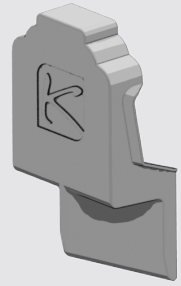


Variations



HIP UPPER END CAPS

15



1 Fit fir tree clips to end caps



2 Push end caps onto ends of hips

