



Logic Air.

TWO ZONE PRE-PLUMBED DHW CYLINDERS WITH A LOW LOSS HEADER



25 year warranty*



Industry leading reheat times



Designed for UK homes



Fully pre-plumbed and pre-wired



Control box included



Highly efficient multi-coil heat exchanger



**HALO AIR
COMPATIBLE**

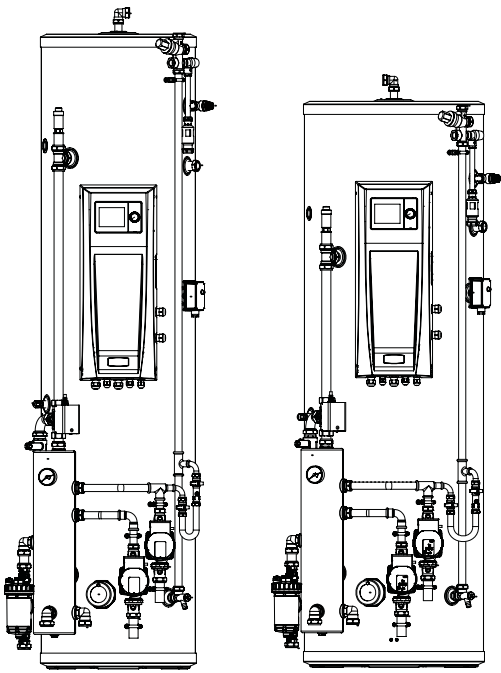
Technical Specification.

LOGIC AIR TWO ZONE PRE-PLUMBED CYLINDERS WITH LOW LOSS HEADER

		LOGIC AIR DHW CYL PP 210 CBOX LL 2Z SL	LOGIC AIR DHW CYL PP 210 CBOX LL 2Z	LOGIC AIR DHW CYL PP 250 CBOX LL 2Z	LOGIC AIR DHW CYL PP 300 CBOX LL 2Z
Ideal Product Code		236205	236200	236201	236202
Energy efficiency class		C	B	C	C
Heat loss	Watts/h	65	55	63	72
Capacity (DHW content)	Litres	188	199	237	279
Weight empty	kg	60.6	64	69.8	73.4
Weight full	kg	248.9	262.8	307	352.4
Overall width	mm	647	704	704	704
Overall height	mm	2042	1572	1822	2068
Overall depth	mm	620	686	686	686
Cylinder diameter	mm	475	550	550	550
Primary heat exchanger surface area	m ²	2.5	2.5	3.0	3.0
Secondary return connection		yes	yes	yes	Yes
Immersion heater rating	kW	3	3	3	3
Heat up time from 10°C to 50°C*	min	23.68	30.60	27.34	35.05

*Heat Up Time, HWA Heat Pump Test 002:2020 (flow rate 0.42l/s and flow temperature of 55°C).

The relative heat up times stated are based on the HWA test referenced above and carried out on all cylinders within the range. The stated test value may not reflect real life performance within a residential environment.



INCLUDES

- ✓ Control Box
- ✓ Wiring Centre
- ✓ Controller
- ✓ Low Loss Header
- ✓ Heat Pump Filter
- ✓ DHW 3-port Valve
- ✓ P&T Valve
- ✓ High Temp Cut Out
- ✓ Expansion Vessel
- ✓ Pressure Gauge
- ✓ Automatic Air Vent(s)
- ✓ Isolation Valves
- ✓ 3kW Immersion
- ✓ x2 Circulation Pumps
- ✓ Flow & Return Thermistors
- ✓ DHW Thermistor
- ✓ Outdoor Sensor