

**navien** Air to Water Heat Pump

# Installation & Operation Manual

| Refrigerant | Capacity | Models         |
|-------------|----------|----------------|
| R290        | 4kW      | PEM750V004PGKC |
|             | 6kW      | PEM750V006PGKC |
|             | 8kW      | PEM750V008PGKC |
|             | 10kW     | PEM750V010PGKC |
|             | 17kW     | PEM750V017PGKC |

## **WARNING**

If the information in these instructions is not followed exactly, a fire or explosion may result, causing property damage or personal injury.

- **Do not store or use petrol or other flammable vapours and liquids in the vicinity of this or any other appliance.**
- **Read this manual completely before installing the product.**
- **The product must be installed in accordance with national wiring standards by authorised personnel only.**
- **Retain this manual for future reference after reading it thoroughly.**



# Contents

---

|  |           |  |           |
|--|-----------|--|-----------|
| <b>1. Safety Information</b>                             | <b>3</b>  | <b>7. Using the Wi-Fi module</b>                           | <b>39</b> |
| <b>2. About the AWHP</b>                                 | <b>8</b>  | 7.1 Components   | 39        |
| 2.1 Included Items                                       | 8         | 7.2 Included Items   | 39        |
| 2.2 Technical Data                                       | 9         | 7.3 Technical Specifications                               | 40        |
| 2.3 Components   | 10        | 7.4 Disposal Instructions                                  | 40        |
| 2.4 Dimensions   | 12        | 7.5 CE Declaration of Conformity                           | 40        |
| 2.5 Operating Modes                                      | 14        | 7.6 Installing the Wi-Fi module                            | 41        |
| <b>3. Installing the Heat Pump</b>                       | <b>16</b> | 7.7 LED Status Indicators                                  | 41        |
| 3.1 Moving the Heat Pump                                 | 16        | 7.8 Using the Wi-Fi Module App                             | 42        |
| 3.2 Choosing an Installation Location                    | 16        | 7.9 Connecting the Wi-Fi Module to the Heat Pump           | 42        |
| 3.3 Installation in Coastal Areas in the Vicinity of Sea | 18        | <b>8. Operating the Heat Pumps</b>                         | <b>43</b> |
| 3.4 Installation in Areas with Heavy Snowfall            | 19        | 8.1 Using the Front Panel                                  | 43        |
| 3.5 Conditions for the Installation Types                | 20        | 8.2 Turning the Heat Pump On or Off                        | 44        |
| 3.6 Drain Work   | 23        | 8.3 Selecting the Operating Mode                           | 45        |
| 3.7 Connecting Water Pipes                               | 24        | 8.4 Setting the Target Temperature                         | 46        |
| 3.8 Flushing and Air Purging                             | 25        | 8.5 Using the Smart Grid (SG) Ready Feature                | 47        |
| 3.9 Freeze Protection                                    | 25        | 8.6 Setting the System Time and Timer                      | 52        |
| 3.10 Charging Water                                      | 26        | 8.7 Viewing the Temperature Curve                          | 58        |
| 3.11 Installing Filter and Strainer                      | 27        | 8.8 Adjusting the Display Brightness                       | 59        |
| 3.12 Piping Insulation                                   | 27        | 8.9 Viewing the Fault Records                              | 60        |
| 3.13 Water Quality                                       | 27        | 8.10 Turning On or Off the Electric Heater                 | 61        |
| <b>4. System Operations</b>                              | <b>28</b> | 8.11 Viewing the System Status                             | 62        |
| 4.1 System Requirements                                  | 28        | 8.12 Locking or Unlocking the Screen                       | 63        |
| 4.2 Filling the Sealed System                            | 29        | 8.13 Setting the Parameters                                | 64        |
| 4.3 Operating the Pressure Relief (Safety) Valve         | 30        | <b>9. Maintaining the Heat Pump</b>                        | <b>67</b> |
| 4.4 Domestic Hot Water Operation                         | 30        | 9.1 Precautions for Daily Use                              | 68        |
| 4.5 Legionella   | 31        | 9.2 Periodic Maintenance (every 6 months)                  | 68        |
| 4.6 Day Immersion Programmer (Legionella)                | 31        | 9.3 Cleaning the Casing                                    | 68        |
| 4.7 Compressor Protection Function                       | 31        | 9.4 Checking the Evaporator, Fan, and Condensate Discharge | 68        |
| <b>5. Connecting the Electrical Supply</b>               | <b>32</b> | 9.5 Disposal and Recycling                                 | 68        |
| 5.1 Accessing the Terminal Strips                        | 32        | 9.6 Recovery   | 69        |
| 5.2 Connecting the Power Supply Cables                   | 32        | <b>10. Commissioning</b>                                   | <b>70</b> |
| 5.3 Setting the Remote Control Functions                 | 33        | 10.1 Checklist Commissioning (Before and Pre-test)         | 70        |
| 5.4 Connecting the Heating System Controls               | 33        | 10.2 Test Run  | 71        |
| 5.5 Connecting the Warm Water Secondary Circulation Pump | 34        | 10.3 Checklist Commissioning (Operation Measured Data)     | 71        |
| 5.6 Connecting the 3 Port Diverter Valve                 | 34        | <b>11. Appendices</b>                                      | <b>72</b> |
| 5.7 Connecting the Temperature Sensor                    | 34        | 11.1 Wiring Diagram  | 72        |
| 5.8 Configuring the Smart Grid (SG) Ready                | 35        | 11.2 Common Applications                                   | 76        |
| 5.9 Connecting the Electric Heater                       | 35        | 11.3 Field Wiring Diagram                                  | 80        |
| 5.10 Connecting the Buffer Tank                          | 36        | 11.4 Field Wiring Case                                     | 81        |
| 5.11 Connecting the Pan Heater                           | 36        | <b>12. Troubleshooting</b>                                 | <b>85</b> |
| <b>6. Installing the Remote Controller</b>               | <b>37</b> | 12.1 Solving Problems                                      | 85        |
| 6.1 Installing the Remote Controller on a Wall           | 37        | 12.2 Understanding Error Codes                             | 86        |
| 6.2 Connecting the Remote Controller to the Heat Pump    | 38        | 12.3 Parameter List  | 89        |
|  |           | <b>Warranty</b>  | <b>90</b> |

# 1. Safety Information

The following safety symbols are used in this manual. Read and follow all safety instructions in this manual precisely to avoid unsafe operating conditions, fire, explosion, property damage or personal injury.

## DANGER

Indicates an imminently hazardous situation which, if not avoided, could result in severe injury or death.

## WARNING







Indicates a potentially hazardous situation which, if not avoided, could result in injury or death.

## CAUTION

Indicates a potentially hazardous situation which, if not avoided, could result in property damage.

### Descriptions of the Symbols Shown on the Product

Safety-relevant stickers are affixed to several points on the product. These warning stickers provide guidelines for handling the R290 refrigerant and must not be removed.

| Symbol  | Description   |
|---|---|
|    | Indicates that the appliance uses a flammable refrigerant. If the refrigerant leaks and comes into contact with an external ignition source, there is a risk of fire. |
|    | Indicates that fire, naked flames and smoke are prohibited.   |
|    | Indicates that the Installation & Operation Manual should be read carefully.  |
|    | Indicates that service personnel should handle this equipment in accordance with the Installation & Operation Manual.   |
|   | Indicates that service personnel should handle this equipment in accordance with the Installation & Operation Manual.   |
|  | Indicates that additional information, such as the Installation & Operation Manual, is available.   |

## DANGER

- **The product contains the combustible refrigerant R290. If there is a leak, escaping refrigerant may mix with air and form a flammable atmosphere which can explode and catch fire, causing severe burns.**
  - Do not use or place any ignition sources, such as plug sockets, light switches, lamps, electrical switches, or other ignition sources, in the protective zone.
  - Keep all flammable sources away from the product.
  - Do not place it near any devices with an extremely hot surface.
  - Before opening the cover and working on the product, use a gas leak detector to make sure there is no leak.
  - If there is a leak, close the front cover and inform the end user and contact the Technical Helpdesk at 0344 332 2323.
  - Ensure that the product installation site can be ventilated and aerated properly.
  - Do not allow any unauthorised personnel to access or work on the product installation site.
  - Keep any required ventilation openings clear of obstruction.

## DANGER

- **There is a risk of death from electric shock if you touch live components. Before commencing work on the product:**
  - Disconnect the product from the power supply by switching off all power supplies at all poles (electrical partition in overvoltage category III for full partition, e.g. fuse or circuit breaker).
  - Secure against being switched back on again.
  - Wait for at least 3 minutes until the capacitors have discharged.
  - Check that there is no voltage.
- **When removing, transporting, or filling the refrigerant:**
  - Only licensed personnel may handle the refrigerant.
  - Wear suitable personal protective equipment and bring a fire extinguisher with you.
  - Use permitted tools or units in proper working condition.
  - Do not allow air to get into the refrigerant circuit, refrigerant-carrying tools (or units), or refrigerant cylinder.
  - Do not allow R290 refrigerant to be introduced into the sewage system.
  - Do not use the compressor to pump the refrigerant into the outdoor unit (no pump down).
  - Do not tilt the product more than 30°. Doing so may lead to creating problems in the refrigerant circuit during operation.

## **DANGER**

- **Do not install the product within 3 m of walkways, plastered surfaces, or down pipes.**
  - The air temperature at the air outlet is lower than the outdoor temperature, which can lead to ice formation and cause personal injury by creating a slippery surface.
- **Neglected or improper maintenance or repairs of the product may lead to personal injury or damage to the product.**
  - Always carry out maintenance or repairs (if required) for the product on a regular basis.
  - Maintenance or repairs must be carried out only by a licensed professional.
- **Do not allow condensate to discharge onto paths so that ice does not build up.**
  - Doing so may result in frozen condensate on paths which could cause falls.

## **WARNING**

- **Do not lift the product by yourself.**
  - The product is heavy. At least four people should lift the product. Lifting heavy weight could cause injury.
- **The product may topple over if there is a strong wind load.**
  - Use two concrete bases and an anti-slip protective mat.
  - Fix the product to the concrete base using fixings.
- **Do not use the product to treat industrial wastewater, swimming pool water, or domestic drinking water.**
  - Installing an intermediate heat exchanger may be required in the above cases.
- **Fill or add water to the product when it is cold and the product is turned off.**
  - Failure to do so may damage the product.
- **If the three-phase supply is present, ensure that the immersion heater power supply and heating system controls are taken from the same phase.**
  - If uncertain, contact a qualified electrician or contact the Technical Helpdesk at 0344 332 2323.

## CAUTION

- **Use heating water of sufficient quality.**
  - Failure to do so may damage the product due to its poor quality. For more information about the required water quality, refer to “3.13 Water Quality” on page 27.
- **Do not use any improper antifreeze or corrosion inhibitors, biocides, or sealants.**
  - Using unsuitable additives may damage the product, causing changes in the components.
- **Use R290 refrigerant that has been used before or that is at least 99.5% pure with minimal levels of critical impurities, including moisture and unsaturated hydrocarbons.**
  - Using improper or contaminated R290 refrigerant may damage the product.
- **To prevent corrosion particularly on the condenser and evaporator fins, which leads to product malfunction or inefficient performance:**
  - Do not install the product in areas where corrosive gases, such as acid or alkaline gas, are produced.
  - Do not install the product where it is exposed directly to sea wind or salty wind.
  - Do not install the product in the immediate vicinity of the sea. If installation near the seashore is unavoidable, a minimum distance of 500 m to the sea is required. For Ireland, the minimum required distance to the sea is 1,000 m.

## CAUTION

- **Do not use the product for anything other than its intended purpose as described in this manual.**
- **Do not remove the front cover unless the power to the product has been turned off or disconnected.**
  - Failure to do so may result in electric shock.
- **When servicing the controls, label all wires prior to disconnecting them.**
  - Failure to do so may result in wiring errors, which can lead to improper or dangerous operation. Verify proper operation after servicing.
- **Do not use unapproved replacement or accessory parts.**
  - Doing so may result in improper or dangerous operation and will void the manufacturer’s warranty.
- **This product has been approved for use in the UK and Ireland only.**
  - Using the product in any other country will void the manufacturer’s warranty.

## EC Conformity Declaration



Navien, hereby declares that the heat pump models:

**PEM750V004PGKC/PEM750V006PGKC/PEM750V008PGKC/  
PEM750V010PGKC/PEM750V017PGKC**

to which this declaration refers, conform to and comply with the essential requirements of the following applicable European Standards and Directives.

**EMC Directive:** EN IEC 55014-1:2021  
EN IEC 55014-2:2021  
EN IEC 61000-3-2:2019/A1:2021  
EN 61000-3-3:2013/A2:2021  
EN 61000-3-12:2011  
EN IEC 61000-3-11:2019

**Low Voltage Directive:** EN 60335-1:2012/A15:2021  
EN 60335-2-40:2003/A3:2012  
EN 62233:2008

**Ecodesign Directive:** EN 14825:2022  
EN 14511-4:2022  
EN 12102-1:2022  
KEYMARK Certification Scheme for Heat Pumps 2023

Navien, manufactures its products using a Quality Assurance system in compliance with Standard EN-ISO 9001:2015.

## The Benchmark Scheme



Benchmark places responsibilities on both manufacturers and installers. The purpose is to ensure that customers are provided with the correct equipment for their needs, that it is installed, commissioned and serviced in accordance with the manufacturer's instructions by competent persons and that it meets the requirements of the appropriate Building Regulations. The Benchmark Checklist can be used to demonstrate compliance with Building Regulations and should be provided to the customer for future reference.

Installers are required to carry out installation, commissioning and servicing work in accordance with the Benchmark Code of Practice which is available from the Heating and Hotwater Industry Council who manages and promotes the Scheme. Visit [www.centralheating.co.uk](http://www.centralheating.co.uk) for more information.

## Disposal of the Product

This product should be handed in at a designated collection point, e.g. by handing it in at a duly authorised reseller when purchasing a similar product, or at an authorised collection site for recycling products which contain electrical and electronic equipment (EEE) and batteries and accumulators. Because of the potentially hazardous substances that usually accompany EEE, improper handling of this type of waste could have a possible impact on the environment and human health.


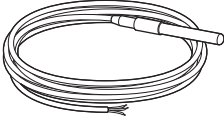
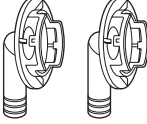
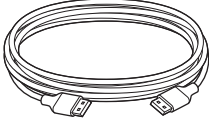
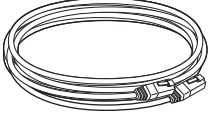
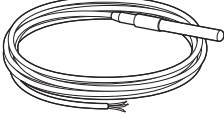
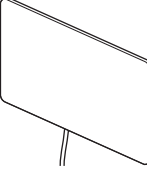
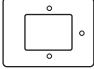
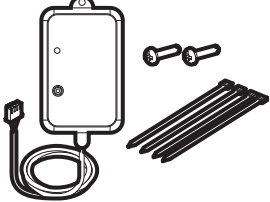
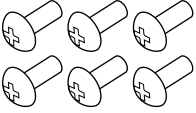

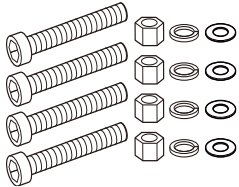
Your cooperation in the proper disposal of this product will contribute to the effective usage of natural resources.

For more information on recycling this product, please contact your city office, local waste disposal facilities, official service for chemical waste or landfill site.

## 2. About the AWHP

### 2.1 Included Items

When you open the box, you will find the following items with the AWHP. Check the box for each of the following items before installing the AWHP. If it seems like there is a problem, do not use the heat pump. Contact your supplier. Keep the included items out of the reach of children, as they can be dangerous. When you no longer wish to use the AWHP, disable any parts that could be potentially hazardous.

|   |   |  |   |
|---|---|--|---|
|    |    |    |    |
| <p>Installation &amp; Operation Manual</p>  | <p>Temperature Sensor (TT, 10 m)</p>  | <p>Drain Connection (2ea)</p>  | <p>Remote Controller Connection Cable (10 m)</p>                                      |
|   |   |   |    |
| <p>Wi-Fi Connection Cable (20 m)</p>  | <p>Temperature Sensor (BT, 10 m)</p>  | <p>Remote Controller</p>   | <p>Remote Controller Mounting Plate</p>   |
|  |  |  |  |
| <p>Wi-Fi Module Package</p>   | <p>Tapping Screws</p>   | <p>Sockets (2ea)</p>   | <p>Rubber Feet (4ea)</p>  |
|  |   |  |   |
| <p>Plan Washer (4ea)<br/>Spring Washer (4ea)<br/>Bolt (4ea)<br/>Nut (4ea)</p>       |   |  |   |

## 2.2 Technical Data

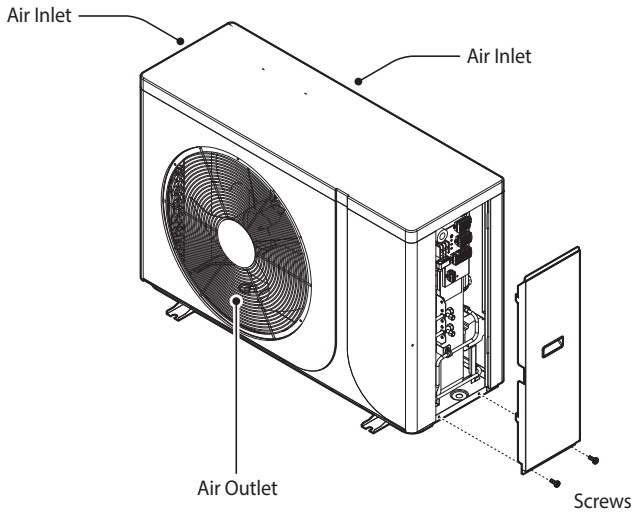
The following table lists the general specifications for the AWHP.

| Model   |                   | Unit               | PEM750V004PGKC | PEM750V006PGKC | PEM750V008PGKC | PEM750V010PGKC   | PEM750V017PGKC    |
|---|-------------------|--------------------|----------------|----------------|----------------|------------------|-------------------|
| Power Supply  |                   | V/Hz               | 220–240V~/50Hz |                |                |                  |                   |
| Resistance Class  |                   |                    | IPX4           |                |                |                  |                   |
| Overvoltage Category  |                   |                    | I              |                |                |                  |                   |
| EN14511   | Heating Capacity  | A7W35 (kW)         | 4              | 6              | 8              | 10               | 17                |
|   | COP               |                    | 4.70           | 4.65           | 4.60           | 4.66             | 4.45              |
|   | Heating Capacity  | A7W55 (kW)         | 4.5            | 5.5            | 7.5            | 9.3              | 17.0              |
|   | COP               |                    | 3.21           | 3.06           | 2.96           | 3.05             | 2.97              |
|   | Cooling Capacity  | A35W18 (kW)        | 4              | 6              | 8              | 10               | 17                |
| SCOP (35°C/55°C) (MCS)                                      |                   |                    | 4.86/3.5       | 4.79/3.38      | 4.71/3.44      | 4.77/3.57        | 4.79/3.53         |
| ErP Rating (35°C/55°C) Heating                              |                   |                    | A+++/A++       | A+++/A++       | A+++/A++       | A+++/A++         | A+++/A++          |
| Max. Power Input  | kW                | 2.8                | 3.9            | 5.1            | 6.3            | 8.5              |                   |
| Max. Starting/Running Current                               | A                 | 1.5/12.0           | 1.5/17.0       | 2.0/22.0       | 2.5/30.0       | 3.0/36.1         |                   |
| Refrigerant/Amounts   | kg                | R290/0.75          | R290/0.75      | R290/0.80      | R290/0.98      | R290/1.40        |                   |
| CO2 Equivalent  | T                 | 0.00225            | 0.00225        | 0.00240        | 0.00290        | 0.00420          |                   |
| Rated/Max. Fan Speed  | RPM               | 350/600            | 400/600        | 460/770        | 400/700        | 500/800          |                   |
| Air Volume at Rated Speed                                   | m <sup>3</sup> /h | 1500               | 2000           | 2800           | 4000           | 6000             |                   |
| Water Pump Input  | W                 | 60                 | 60             | 60             | 60             | 180              |                   |
| Sound Pressure (1 m)  | dB (A)            | 42                 | 45             | 46             | 46             | 48               |                   |
| Sound Power Level (EN12102-1)                               | dB (A)            | 55                 | 56             | 60             | 61             | 63               |                   |
| Connection Size   | inch              | 1                  | 1              | 1              | 1              | 1                |                   |
| Water Flow Volume   | m <sup>3</sup> /h | 0.68               | 1.03           | 1.38           | 1.70           | 2.90             |                   |
| Internal Water Pressure Drop                                | kPa               | 5                  | 15             | 15             | 20             | 40               |                   |
| Water Head  | m                 | 5.5                | 7.5            | 6.8            | 5.6            | 10.5             |                   |
| Weight (Net)  | kg                | 105                | 105            | 120            | 145            | 205              |                   |
| Unit Dimension (W/D/H)                                      | mm                | 1166 x 445 x 799.5 |                |                |                | 1287 x 500 x 932 | 1247 x 540 x 1332 |
| Operating Ambient Temperature Range Space Heating/Hot Water | °C                | -25–43             | -25–43         | -25–43         | -25–43         | -25–43           |                   |
| Operating Ambient Temperature Range Cooling                 | °C                | 10–43              | 10–43          | 10–43          | 10–43          | 10–43            |                   |
| Operating Flow Temperature Range Space Heating              | °C                | 15–70              | 15–70          | 15–70          | 15–70          | 15–70            |                   |
| Operating Flow Temperature Range Hot Water                  | °C                | 15–75              | 15–75          | 15–75          | 15–75          | 15–75            |                   |
| Operating Flow Temperature Range Cooling                    | °C                | 10–28              | 10–28          | 10–28          | 10–28          | 10–28            |                   |

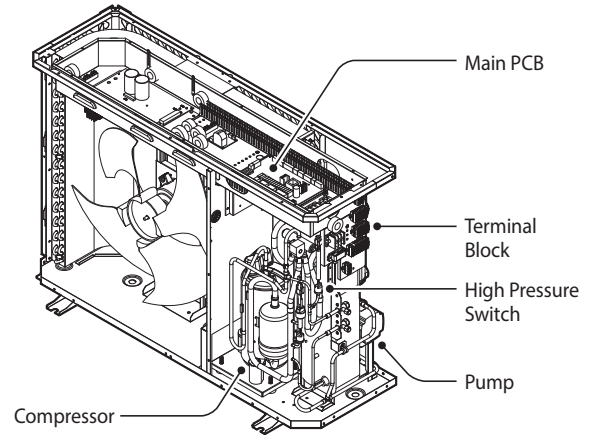
## 2.3 Components

The following diagram shows the key components of the AWHP. Component assembly diagrams and particular parts lists are included in the Appendices.

### PEM750V004PGKC/PEM750V006PGKC

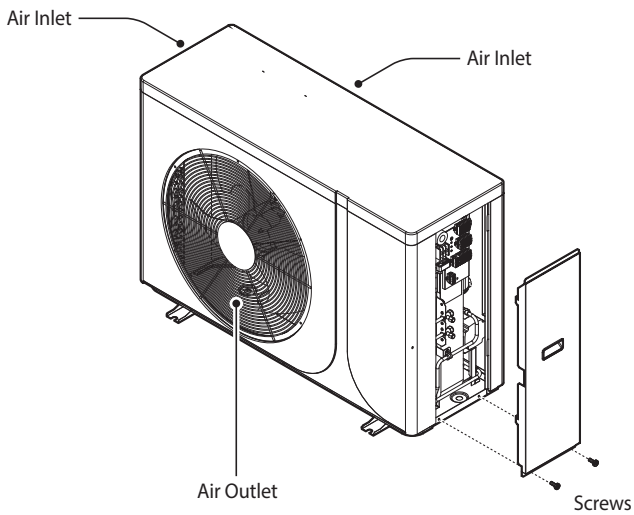


**[Exterior Components]**

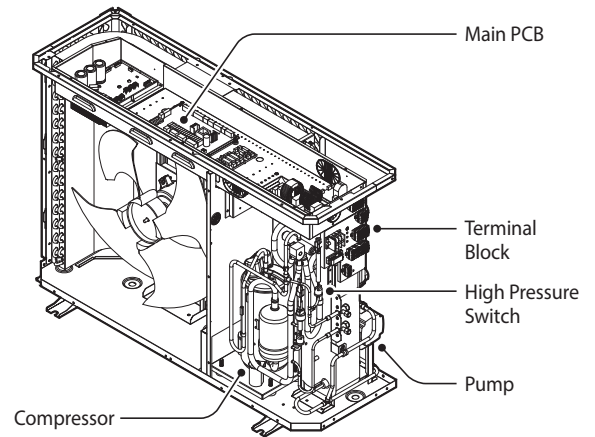


**[Internal Components]**

### PEM750V008PGKC

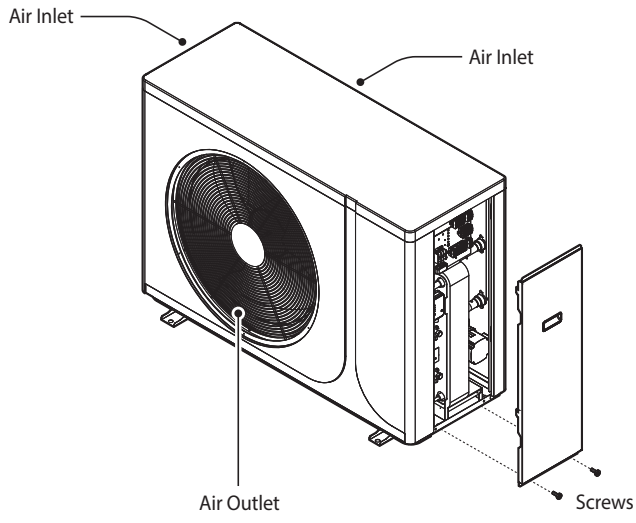


**[Exterior Components]**

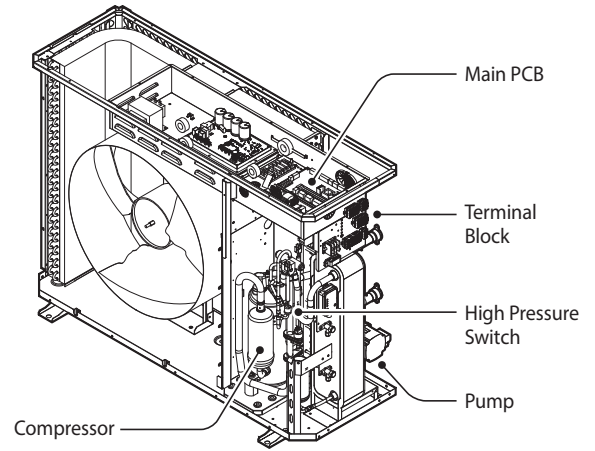


**[Internal Components]**

**PEM750V010PGKC**

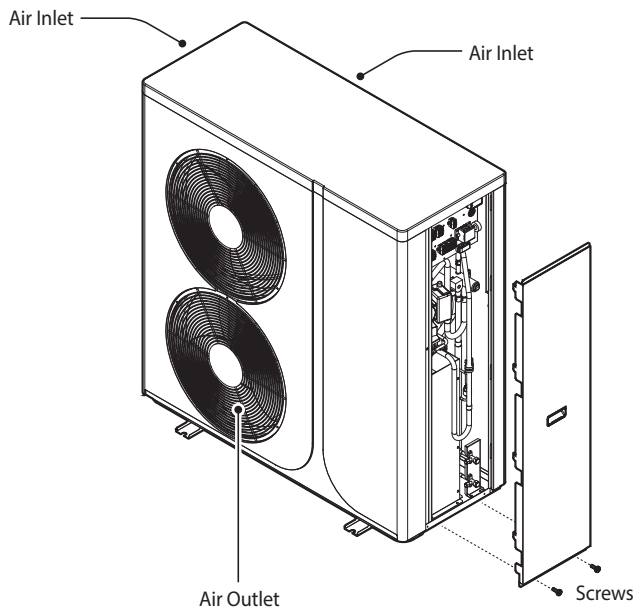


**[Exterior Components]**

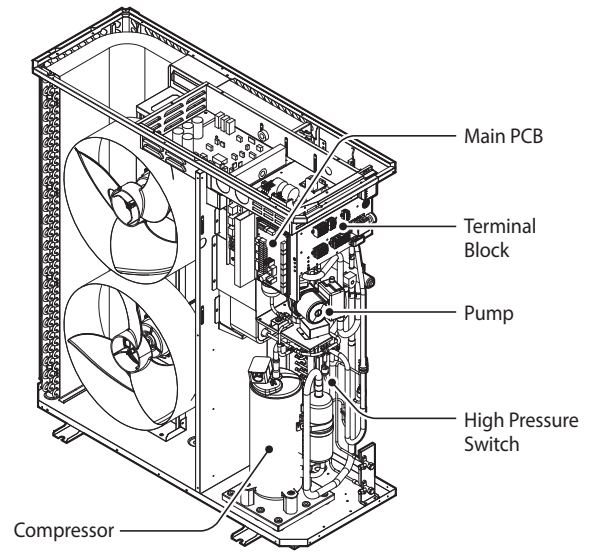


**[Internal Components]**

**PEM750V017PGKC**



**[Exterior Components]**

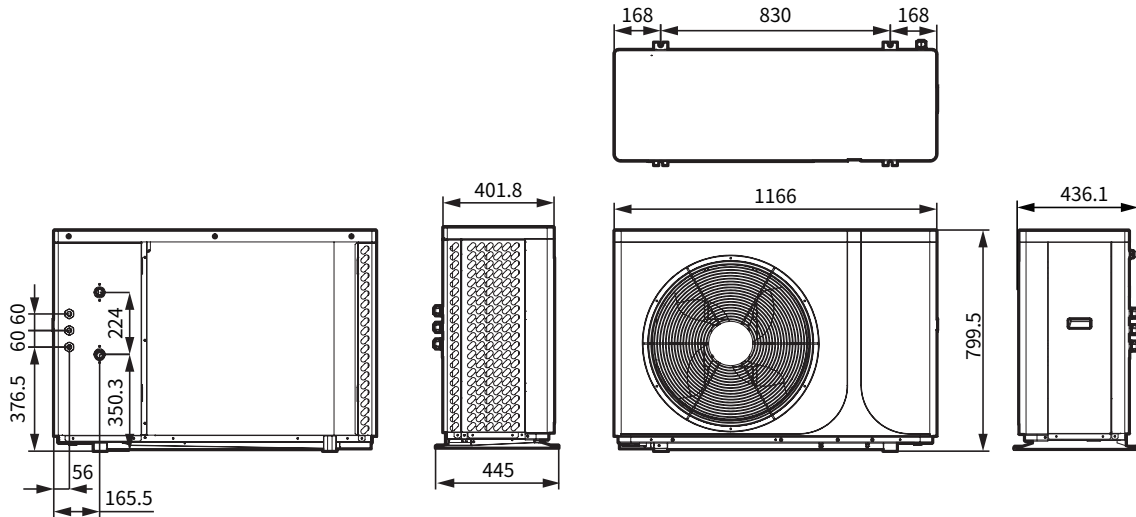


**[Internal Components]**

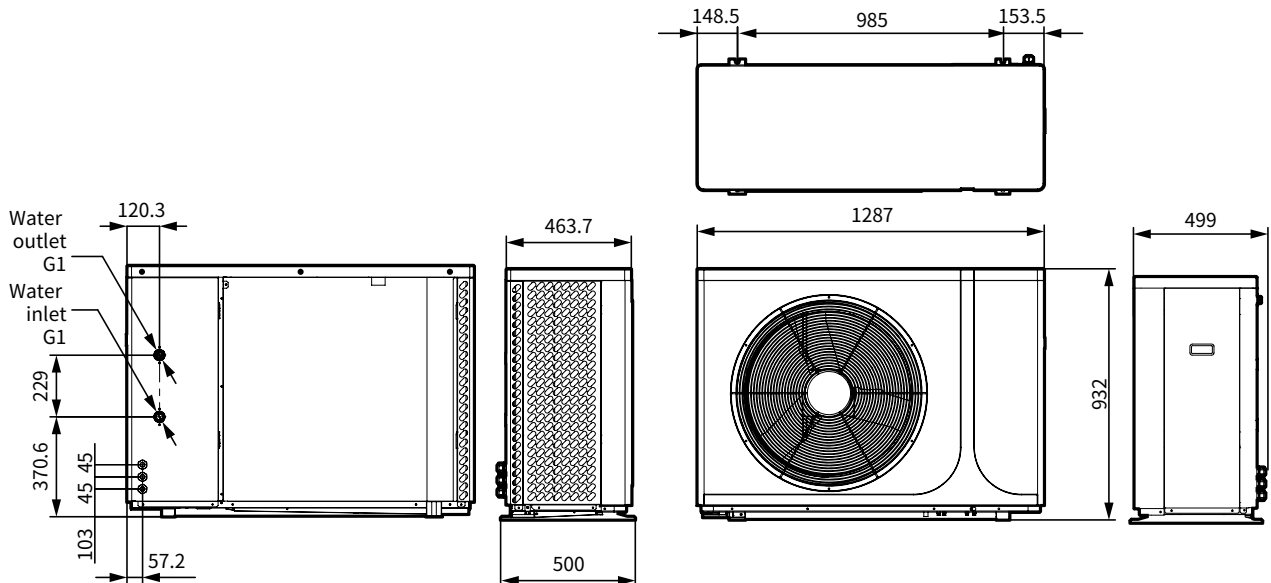
## 2.4 Dimensions

The following diagrams show the dimensions of the AWHP and the table lists the supply connections.

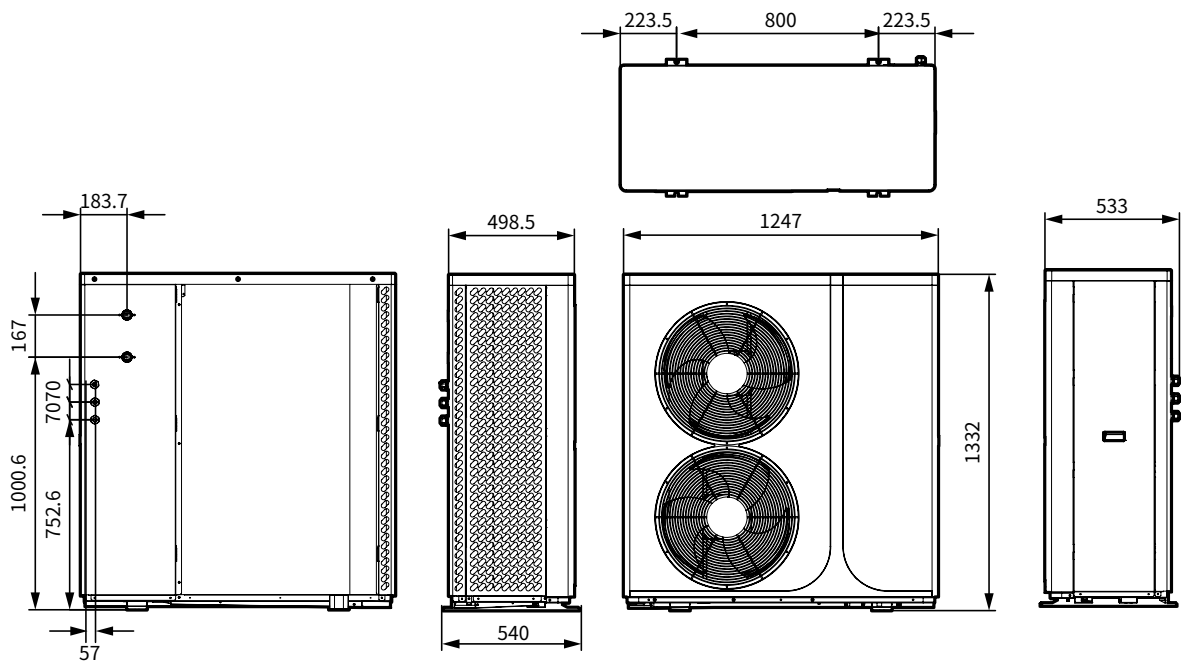
### PEM750V004PGKC/PEM750V006PGKC/PEM750V008PGKC



### PEM750V010PGKC



PEM750V017PGKC

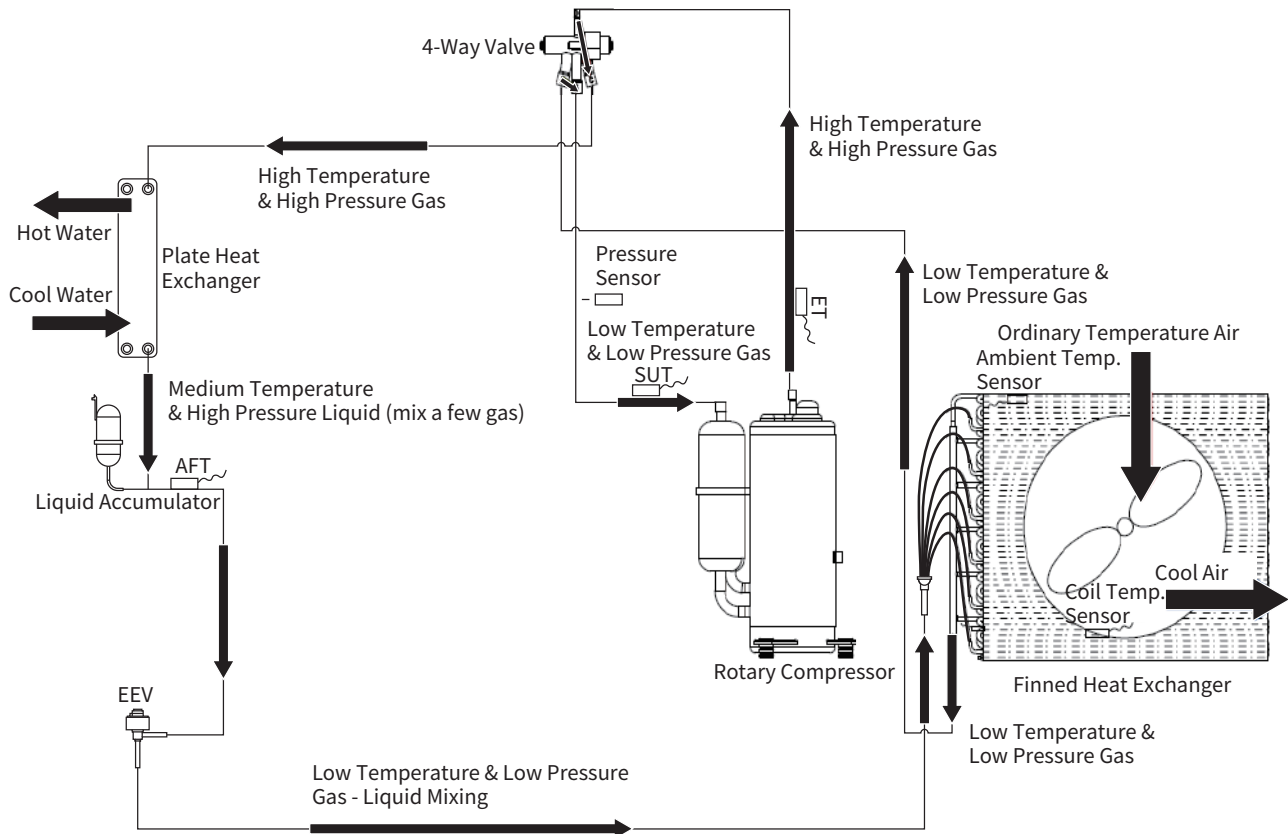


## 2.5 Operating Modes

The heat pump has a closed refrigerant circuit in which refrigerant circulates. Refer to the following diagrams for each of the heat pump modes in this section.

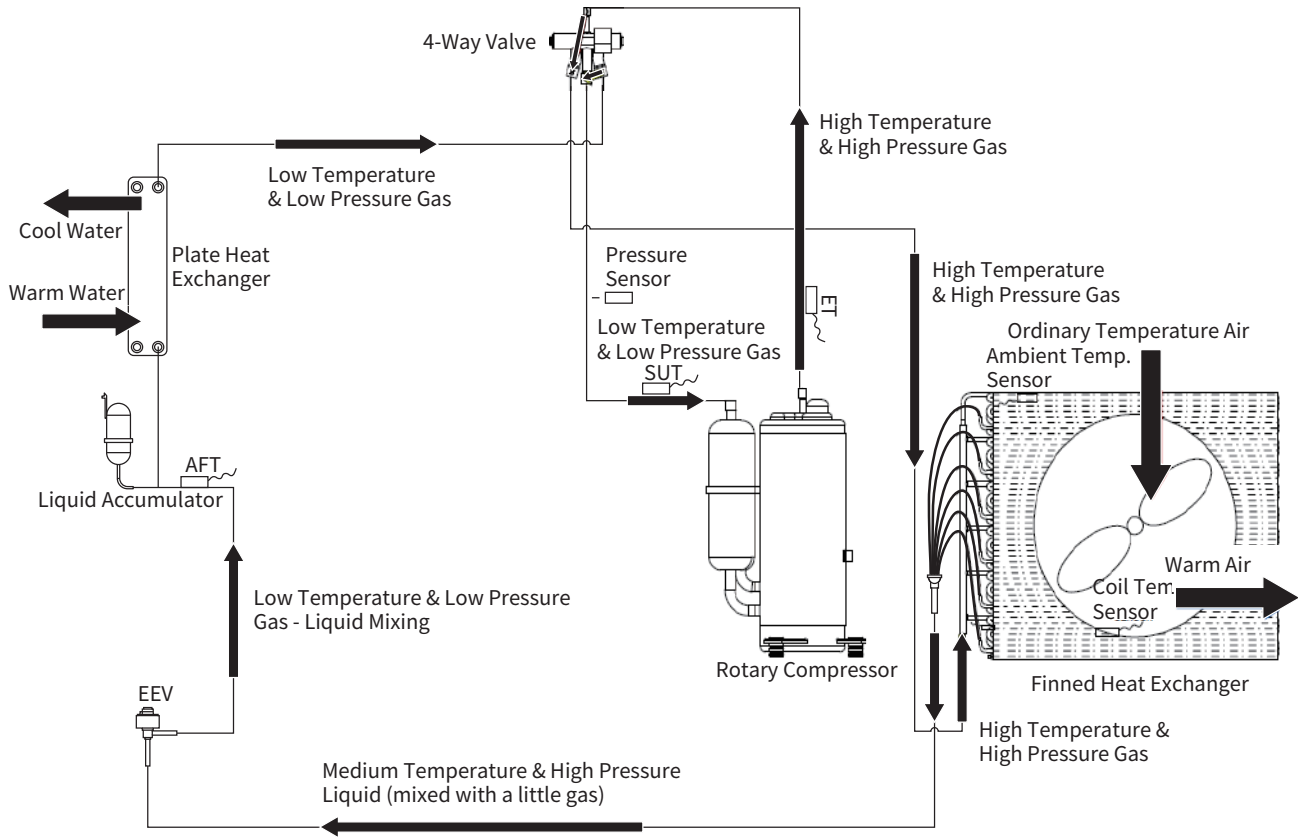
### 2.5.1 Operating in Heating Mode

The following diagram shows an example of how Heating mode works. In Heating mode, cyclic evaporation, compression, liquefaction, and expansion take in heat from the surroundings and transfer it to the building.



## 2.5.2 Operating in Cooling Mode

The following diagram shows an example of how Cooling mode works. In Cooling mode, heat is extracted from the building and released into the environment.



## 3. Installing the Heat Pump



### CAUTION

The installation must be in line with MCS standards and system design.

### 3.1 Moving the Heat Pump



### WARNING

The surface of the heat exchanger is sharp. Do not touch the heat exchanger of the heat pump with your fingers or other objects while moving and installing the heat pump.

To move the heat pump safely, follow these guidelines:

- Consider the weight distribution during transport. The product is significantly heavier on the right side than the left.
- Select the movement route in advance, and ensure that the route can bear the weight of the heat pump.
- Do not tilt the heat pump more than 30° when carrying it. (Do not lay the product down sideways.)
- When the unit needs to be hung during installation, a cable (8 m) is needed, and you should put a soft material between the cable and the unit to prevent damage to the heat pump.
- The heat pump should not be stored at temperatures below -30°C or above 60°C.

### 3.2 Choosing an Installation Location

#### Installation Location Conditions

When choosing an installation location, select a location that meets the following conditions:

- The noise and air discharged should not affect or disturb neighbours.
- The location should be protected from the wind.
- The location should support the minimum recommended space.
- The heat pump should not obstruct access to doors or paths.
- The surfaces of the floor must be strong enough to support the weight of the heat pump, and they should minimise noise and vibration.
- Preventive measures should be taken so that children cannot reach the heat pump.
- The installation location should be level (not inclined more than 5°).

- There should be no dust or strong wind around the location.
- The location should withstand vibrations and the weight of the heat pump.
- The location should allow for proper airflow.
- There should be no potential sources of ignition, such as heat, steam, or flammable gases around the location.
- During heat pump operation, condensate water flows from the heat pump. Therefore, the heat pump should be installed in a place where the condensate water flow will not be obstructed.
- The location should be in a place where people do not pass frequently.
- The location should be as free from adverse weather conditions as possible.

#### Noise Level

All heat pumps make noise. Discuss the potential nuisance factor with the end user when considering the final installation location. Take opening windows and doors into account. It is not essential for the heat pump to be positioned against a wall of the house. Installing the heat pump behind an outbuilding may be more suitable, so discuss the options with the end user.

#### Orientation

The north face of the building will usually have the coolest ambient temperature. To ensure maximum efficiency, position the heat pump on another side. In order of preference, install the heat pump on the south face, followed by either southeast or southwest, then by east or west. Only install the heat pump on the north face if there is no alternative.

#### Base

The heat pump should be installed on a firm, flat, level surface capable of supporting the heat pump's weight and that minimises the transmission of noise and vibration. For example:

- A flat trowelled concrete base 150 mm thick
- Paving slabs on compacted, hard core of a sufficient depth for the ground condition

This surface should extend at least 150 mm beyond the heat pump on three sides.

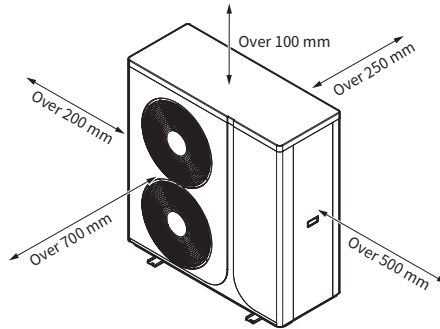
The heat pump should not be installed on loose or uneven surfaces, such as grass, soil, shingle, or gravel. The heat pump must be raised up from the surface of the base by approximately 80 mm on suitable anti-vibration mounts or blocks.

Install the heat pump near a drain or where embankment work has been done.

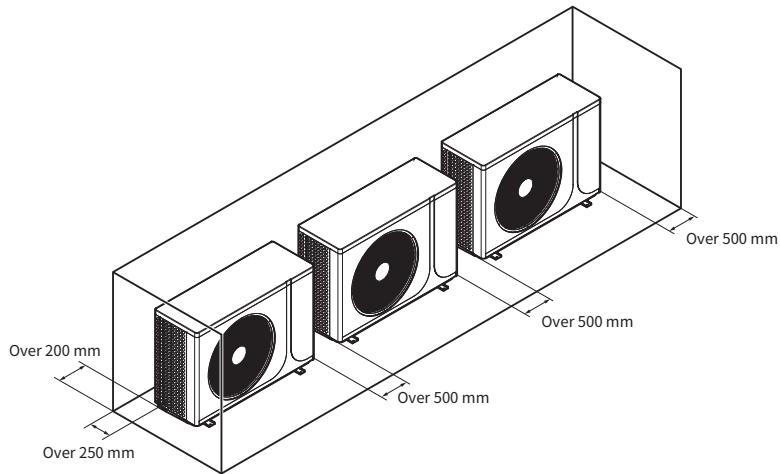
### Adequate Installation Clearances

Install the heat pump in an area that allows for service, maintenance, and adequate airflow in and out of the heat pump. Based on the installation location, ensure that the following clearances are maintained:

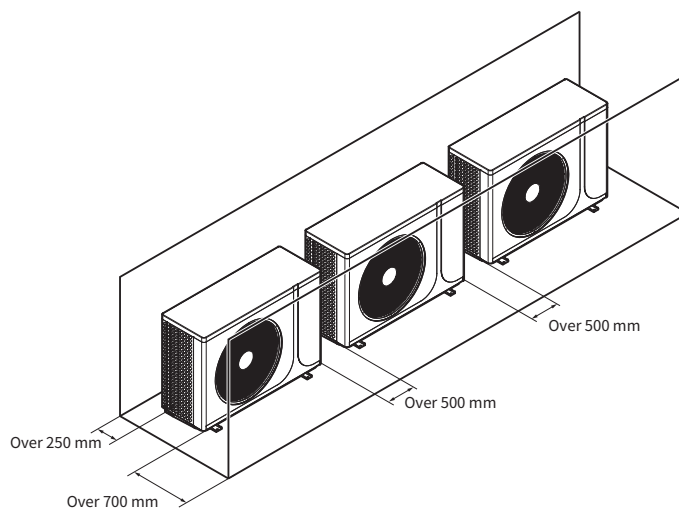
- When installing one heat pump



- When installing more than one heat pump



**[3-Sides Suction Obstruction]**



**[Suction/Discharge Obstruction]**

### 3.3 Installation in Coastal Areas in the Vicinity of Sea

#### ⚠ CAUTION

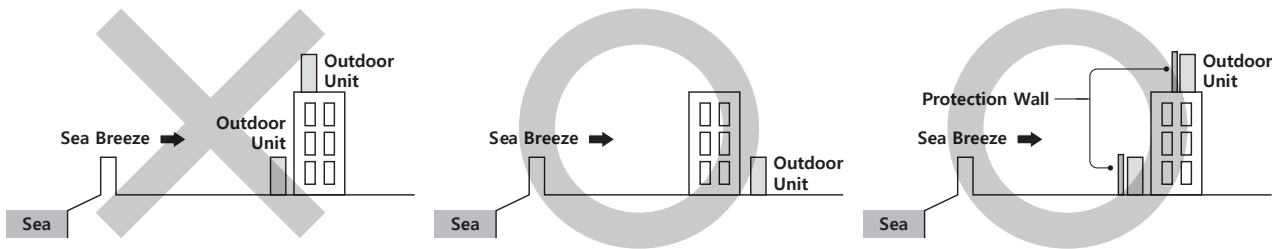
- Do not install the heat pump in areas where it may be exposed to corrosive gases, including acidic or alkaline environments, to prevent material degradation.
- Avoid direct exposure of the heat pump to sea wind, as the salty air can lead to corrosion, particularly damaging the condenser and evaporator fins. This corrosion could result in malfunction or reduced efficiency.
- If the heat pump must be installed near the seaside, ensure it is shielded from direct sea wind. If exposure is unavoidable, apply additional anti-corrosion treatments to the heat exchanger to extend its lifespan and maintain efficiency.

To install the heat pump near the seashore, follow these guidelines:

#### Installation Location Conditions

Install the product away from direct exposure to salt water and sea breezes. If installation near the seashore is unavoidable:

- Position it behind a building (or protective structure) to shield it from sea breezes.
- Construct a solid wall to protect the product from direct exposure to sea breezes, ensuring the wall is 1.5 times the height and width of the outdoor unit. Maintain at least 700 mm of space between the wall and the unit for adequate air circulation.



#### Drainage Optimisation

- Choose a location that promotes efficient water drainage, particularly ensuring the base has effective drainage capabilities.
- Keep the surrounding ground level to prevent rainwater from pooling and ensure the drain hole remains unblocked by debris.

#### Inspections and Maintenance

- Regularly wash the heat pump to remove salinity, especially if installed within 500 meters of the coast.
- Conduct thorough inspections every three months, applying anti-corrosion treatments like commercially available water repellent greases or waxes based on the product's condition.
- Apply additional anti-corrosion treatments as necessary when the product is installed close to the sea.
- Cover the heat pump during prolonged periods of non-use to protect it from environmental factors.

#### Corrosion Prevention

- Ensure proper sloping at the installation site to facilitate drainage and prevent water accumulation at the base of the outdoor unit, which can accelerate corrosion.
- Address any damages incurred during installation or maintenance promptly to avoid further deterioration.

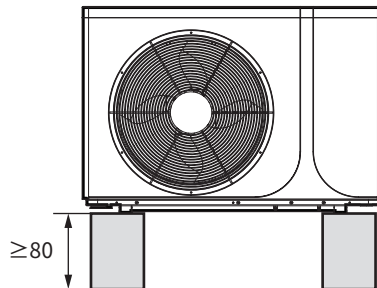
#### Cleaning the Heat Pump

1. Disconnect the main power supply from the heat pump.
2. Remove foreign substances and dust from the heat pump and clean major parts with a soft cloth and neutral detergent.

### 3.4 Installation in Areas with Heavy Snowfall

When using the heat pump in Heating mode, ice may accumulate. During de-icing (defrost operation), the condensed water must be drained off safely. To install the heat pump in an area with heavy snowfall, follow these guidelines:

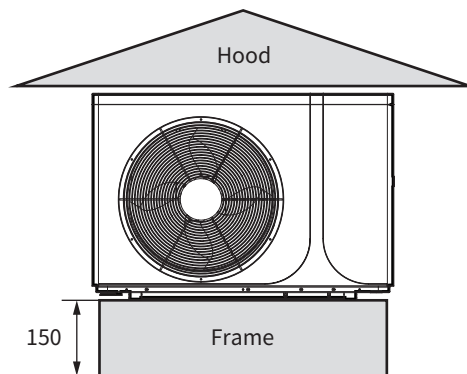
- Make sure that there is enough separation distance more than 80 mm between the bottom of the outdoor unit and the ground.



- When installing the product, make sure that the rack is not placed under the drain hole.
- Ensure that the drained water runs off properly and safely.

#### **!** CAUTION

- In areas with heavy snowfall, snow may block the air intake. To avoid this, install a frame that is higher than the estimated snowfall. Also, install a snow-proof hood to avoid snow from accumulating around the outdoor unit.
- If ice accumulates around the base, it may cause critical damage to the product. (e.g., a lakeside in a cold area, the coastal, an alpine region, etc.)
- In areas with heavy snowfall, do not install the drain plug and drain cap into the outdoor unit. Doing so may result in frozen ground.
- Install the outdoor unit with a space of at least 150 mm between the floor and the ground. The product exceeds the maximum expected eye level. Make sure they are at least 150 mm above each other.



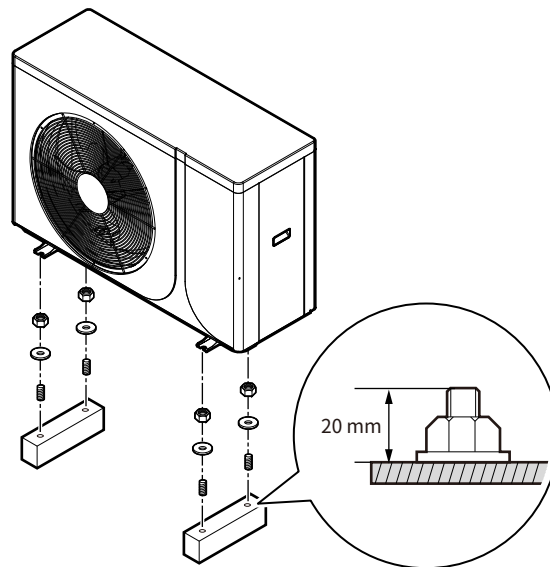
### 3.5 Conditions for the Installation Types

The heat pump is suitable for ground installation, wall installation and flat-roof installation.

**Note** The pitched-roof installation is not permitted.

#### 3.5.1 Fixing the Heat Pump to the Ground

The heat pump must be installed on a rigid, stable base to avoid any increase in the noise level and vibration, if the outdoor unit is to be installed in a location exposed to strong winds or at a height, the unit must be fixed to an appropriate support via anchor bolts.



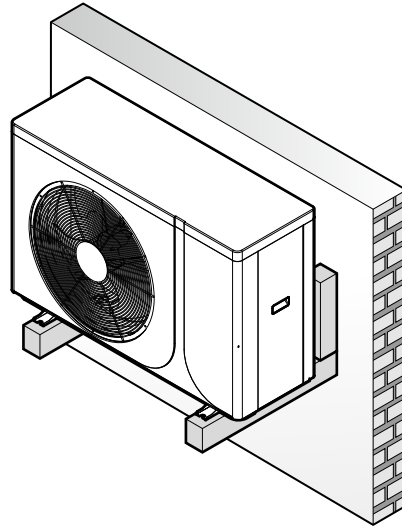
**Note** The anchor bolts must be 20 mm or higher from the base's surface.

#### **!** CAUTION

- When tightening the anchor bolts, tighten the rubber washers to prevent the heat pump's bolt connector from corroding.
- Make a drain outlet around the base for outdoor unit drainage.
- If the heat pump is installed on the roof, check the waterproofing of the heat pump and ensure the ceiling can support the heat pump's weight.

### 3.5.2 Fixing the Heat Pump to a Wall

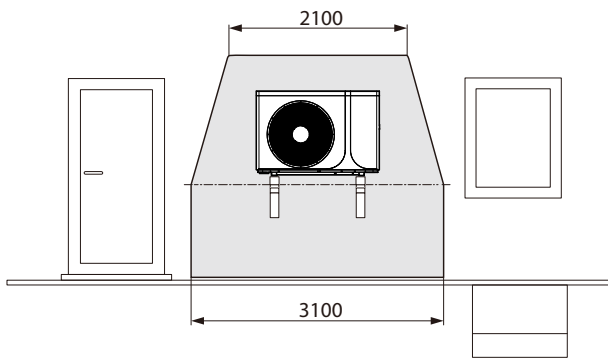
Depending on the ground conditions, you can also fix the heat pump to a wall via support brackets. The wall must be able to support the weight of the heat pump.



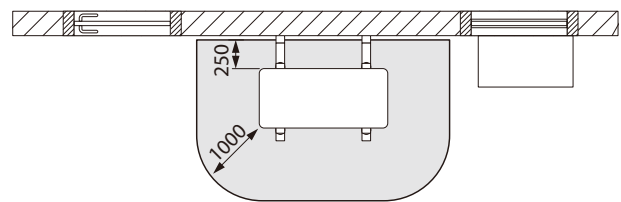
#### Protective Zone for Wall Installation in Front of a Building Wall or in a Building Corner

The protective zone below the product extends as far as the floor.

##### Wall

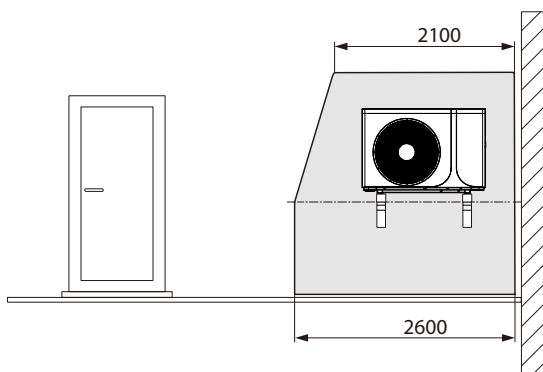


[Front View]

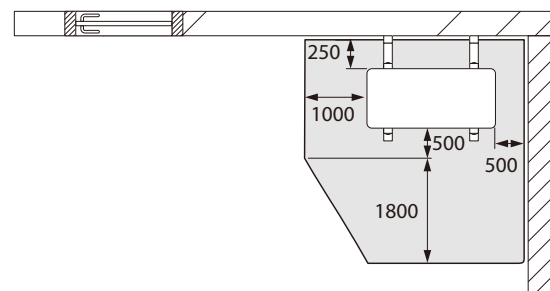


[Top View]

##### Corner



[Front View]



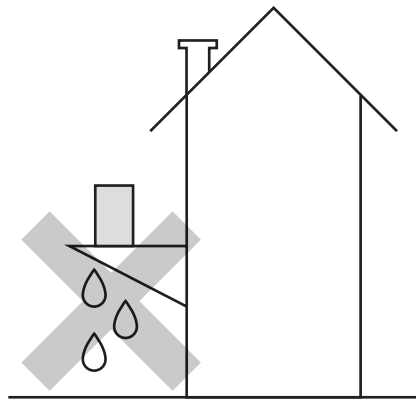
[Top View]

**Note**

- Install the support brackets close to the column as much as possible.
- Install proper anti vibration washers in order to reduce noise and residual vibration transferred by the outdoor unit towards the wall.
- To cut off vibration from the support brackets to the wall, install a soft rubber washer (optional).

**CAUTION**

If you install the outdoor unit on a wall support bracket, install drainage pipework. To avoid the drain water from dripping on the floor potentially creating a slippery surface or an ice layer under freezing conditions, securely mount the outdoor unit before connecting the water piping.

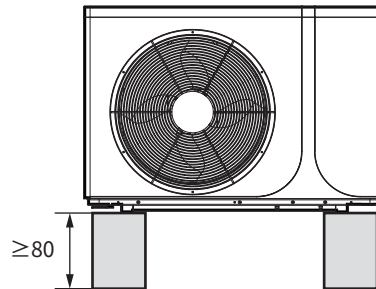


### 3.6 Drain Work

To effectively manage drainage and prevent ice buildup at low temperatures, follow these guidelines:

#### Creating Space for Drainage

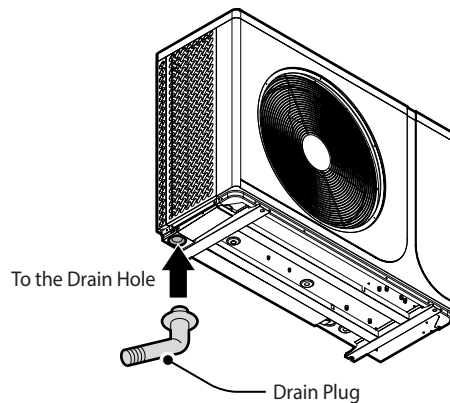
- Ensure there is at least 80 mm of space between the bottom of the outdoor unit and the ground. This space is necessary for installing the drain hose.



- When installing in snowy areas, raise the foundation as high as possible to prevent snow accumulation around the unit.
- If mounting the unit on a building frame, install a waterproof plate (within 80 mm of the unit's underside) to avoid ice accumulation from water dripping.
- Prepare a water drainage channel around the foundation to remove waste water from the unit's vicinity.

#### Installing the Drain Hose

1. Insert the drain plug into the drain hole in the outdoor unit drain pan.



2. Connect the drain hose to the drain plug.

**Note** Ensure that dust or small branches do not obstruct the drain hose.

3. Check that water dripping from the drain hose is flowing properly.

### 3.7 Connecting Water Pipes

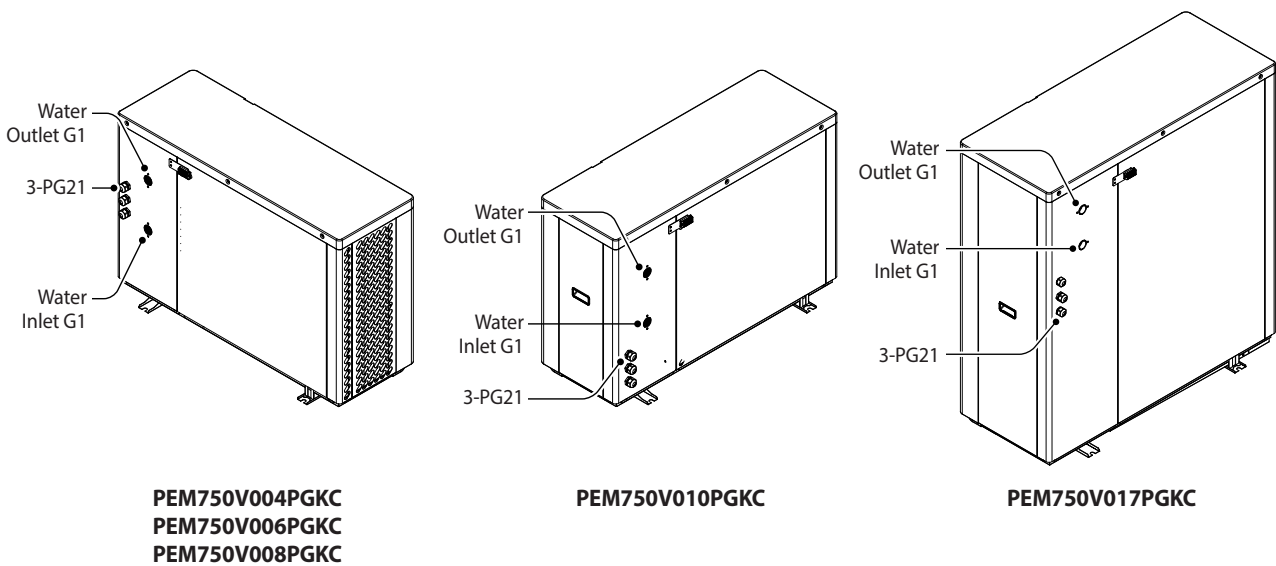
#### **!** CAUTION

- Do not turn on the heat pump while installing a shut-off valve.
- Do not use excessive force when connecting the piping to prevent deformation. Deformed piping may damage the outdoor unit and cause it to malfunction.
- Always use two spanners when tightening or loosening the water connections to ensure balanced pressure and prevent damage. Tighten all connections using a spanner to avoid damaging the connections and parts, which could lead to leaks.
- The product is designed for use exclusively in a closed water system. Operating the product in an open water circuit is not recommended as it may lead to contamination of the heat exchangers, corrosion, and leaks.

To ensure a proper water circuit connection for the outdoor unit, a shut-off valve must be connected to the outdoor unit. To install a shut-off valve properly, follow these guidelines.

1. Disconnect the main power supply from the heat pump.
2. Connect the shut-off valve (with integrated filter) to the outdoor unit's water inlet using thread sealant.

**Note** Use a reliable thread sealant that can withstand system pressures and temperatures.



3. To prevent vibration and noise caused by the operation of the outdoor unit, a flexible hose should be connected.
4. Attach the field piping to the shut-off valve.

**Note** After installing the shut-off valve, follow the instructions below.

- Clean the water pipes and connections thoroughly.
- Remove burrs while holding the pipe with the end facing downwards.
- Cover the pipe end when inserting it through a wall to prevent dust and dirt from entering.
- Insulate non-brass metallic piping to prevent galvanic corrosion.
- A magnetic filter must be installed in the pipe line to remove iron dust or foreign substances inside the pipe.
- An inline Y strainer must be fitted to the primary return.

### 3.8 Flushing and Air Purging

After installing the heat pump and water pipes to the heat pump, the following start-up procedure must be performed.

1. Test all system components and pipes for leaks.
2. Prepare a make-up water assembly or flushing unit for installation and service.
3. Before connecting pipes to the outdoor unit, flush water pipes clean to remove contaminants using a flushing unit or tap water (at 2-3 bar pressure).
4. Open the shut-off valve and pour glycol into the outdoor unit's water line to prevent freezing.
5. Purge the air from the system using a flushing unit with sufficient capacity to avoid aerating the water.
6. Circulate the water long enough to ensure all the air has been bled from the water piping system.

### 3.9 Freeze Protection

To prevent the hydraulic components from freezing, the heat pump has a freezing protection function that includes activation of the pump at low temperatures.

**Note** In case of a power failure, these functions cannot guarantee protection.

To protect water circuit from freezing, any of the following should be performed.

#### Freeze Protection via Glycol

Add glycol to water. Glycol lowers the freezing point of water. Freeze protection solutions must use propylene glycol with a toxicity rating of Class 1, as listed in Clinical Toxicology of Commercial Products, 5th Edition.



#### WARNING

- Ethylene glycol is toxic and must not be used in the primary water circuit to prevent cross contamination in the potable circuit.
- If an antifreeze is used, pressure drops and degradation of system capability may occur.



#### CAUTION

- Due to the presence of glycol, corrosion of the system is possible. Uninhibited glycol will turn acidic due to oxygen. Acidic, uninhibited glycol attacks metal surfaces and forms galvanic corrosion cells that cause severe damage to the system.
- Glycol with corrosion inhibitors should be selected to counteract acids formed by oxidation.
- No automotive glycol is used because their corrosion inhibitors have a limited lifetime and contain silicates that can contaminate or clog the system.
- Galvanised pipes are NOT used in glycol systems since their presence may lead to the precipitation of certain components in the glycol's corrosion inhibitor.

To prevent the system from freezing, more glycol is required. Add glycol according to the table below.

| Freezing Points of Propylene Glycol-Water Mixtures |                         |                         |
|--|-------------------------|-------------------------|
| Percent Propylene Glycol [wt. %]                   | Freezing Point [wt. °F] | Freezing Point [wt. °C] |
| 0  | 32                      | 0                       |
| 10   | 26                      | -3                      |
| 20   | 20                      | -7                      |
| 30   | 10                      | -12                     |
| 36   | 0                       | -18                     |
| 40   | -5                      | -20                     |
| 43   | -10                     | -23                     |
| 48   | -20                     | -29                     |

## Antifreeze Valves



### WARNING

If you add glycol to the water, do not install an antifreeze valve. Glycol will leak out of the antifreeze valve.



### CAUTION

If the unit is used for Cooling mode in summer, install an antifreeze protection valve with an ambient air sensor. This prevents the valves from opening due to low water temperatures. Set the minimum cooling point to 7°C or higher to avoid triggering the freeze protection valves during cooling operations.

Install an antifreeze valve. The antifreeze valve will discharge water from the system before it freezes.

To prevent system water from freezing inside the pipes during sub-zero ambient conditions after sudden power outages, installing an antifreeze valve is recommended if glycol is not a suitable solution. An antifreeze valve opens when the medium (water) is below a certain temperature value. When using the heat pump for cooling in the summer, an antifreeze valve with an ambient sensor is required to avoid unwanted opening due to low water temperatures.

## 3.10 Charging Water

After installation is completed, the procedures below must be followed to charge water into the heat pump.

1. Connect water lines to the water connections of the heat pump.
2. Open the air vent valve at least two turns so that air can be eliminated from the system.
3. Open the shut-off and drain valves in the water supply connection. The water pressure of supply line must be over 2 bar for good charging work.
4. Stop the water supply when the pressure reaches around 2 bar.



### CAUTION

- Water pipes and connections must be cleaned by using water or cleaner before operating the unit for the first time.
- Considering electric submersible pump and water pump performance, select water plumbing specifications and underfloor loops.
- Make sure to calculate the total resistance of the piping system and determine the size of pipes before selecting the required pump heads. If the pressure loss of total water system is over the designed pressure, external water pumps must be installed on the piping system in series.
- Do not connect the power supply while water is charging.
- When initialisation or re-installation is required, remove air via the air vent valve in water plumbing, which is installed by local installers to prevent air from being trapped in the system while charging water.
- Make sure that back flow preventers (check valves) are installed on main supply line to prevent contamination from outside water sources.
  - It is recommended to install a make-up water assembly to prevent contamination.
  - Check valves in the make-up water assembly can prevent running water inside the outdoor unit from contaminated water supplies during installation or maintenance.

### 3.11 Installing Filter and Strainer

A filter (Filter mesh: #50) and strainer must be installed in the water system, positioned in front of the inlet pipe of the heat pump. During operation, dust and foreign materials can circulate within the system. If not properly filtered, these contaminants can lead to blockages in the heat exchangers and corrosion in various components, damaging the internal components of the system.

### 3.12 Piping Insulation

To prevent condensation and maintain the efficiency of the water circuit, ensure a minimum insulation thickness of 9 mm with a thermal conductivity of 0.035 W/mK.

This prevents freezing on the outside water piping during winter. If the temperature exceeds 30°C and the humidity is above 80%, increase the insulation thickness to at least 20 mm to prevent condensation on the surface of the insulation.

### 3.13 Water Quality

Water quality should comply with EN 98/83 EC Directives. Refer to the following table for the requirements for resolved chemical ingredients. Detailed water quality conditions can be found in EN 98/83 EC Directives.

| Parameter          | Value      |
|--------------------|------------|
| Acrylamide         | 0.10 µg/l  |
| Antimony           | 5.0 µg/l   |
| Arsenic            | 5.0 µg/l   |
| Benzene            | 1.0 µg/l   |
| Benzo(a)pyrene     | 0.010 µg/l |
| Boron              | 1.0 mg/l   |
| Bromate            | 10 µg/l    |
| Cadmium            | 5.0 µg/l   |
| Chromium           | 50 µg/l    |
| Copper             | 2.0 mg/l   |
| Cyanide            | 5.0 µg/l   |
| 1,2-dichloroethane | 3.0 µg/l   |
| Epichlorohydrin    | 0.10 µg/l  |
| Fluoride           | 1.5 mg/l   |
| Lead               | 10 µg/l    |
| Mercury            | 1.0 µg/l   |
| Nickel             | 20 µg/l    |
| Nitrate            | 50 mg/l    |

| Parameter                             | Value     |
|---------------------------------------|-----------|
| Nitrite                               | 0.50 mg/l |
| Pesticides                            | 0.10 µg/l |
| Pesticides - Total                    | 0.50 µg/l |
| Polycyclic aromatic hydrocarbons      | 0.10 µg/l |
| Selenium                              | 10 µg/l   |
| Tetrachloroethene and Trichloroethene | 10 µg/l   |
| Trihalomethanes - Total               | 100 µg/l  |
| Vinyl chloride                        | 0.50 µg/l |



#### CAUTION

- If the product is installed in an existing hydraulic water loop, you must clean hydraulic pipes to remove sludge and limescale.
- To prevent performance degradation, install a sludge strainer in the water loop.
- Chemical treatment to prevent rust should be performed by an authorised technician or licensed professional.

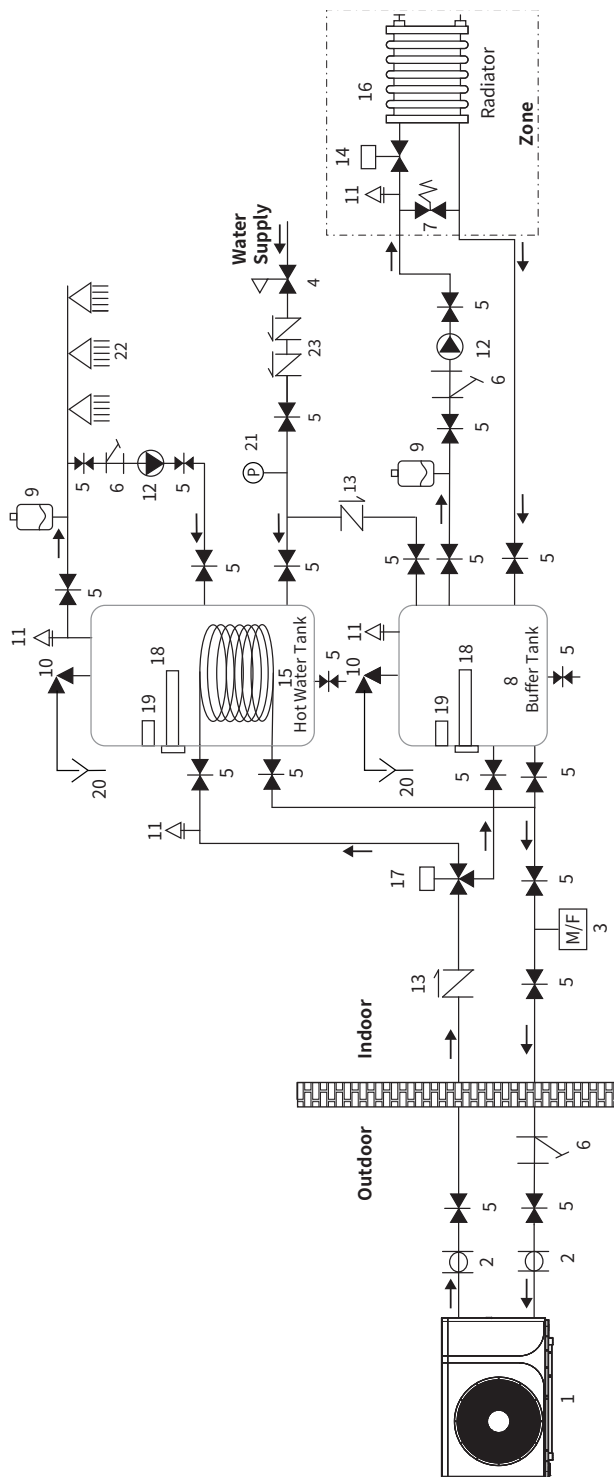
## 4. System Operations

All heat pumps must be used with sealed systems that complying with the requirements of BS EN 12828, BS EN 12831, and BS EN 14336. The system must be provided with the following items:

- Diaphragm expansion vessel (in compliance with BS EN 13831)
- Pressure gauge
- Pressure relief (safety) valve
- Approved method for filling the system

### 4.1 System Requirements

The following diagram shows the basic installation of the heat pump system and with its essential devices.



| #. | Description                 |
|----|-----------------------------|
| 13 | Check Valve                 |
| 14 | Valve for Heating           |
| 15 | Hot Water Tank              |
| 16 | Radiator                    |
| 17 | 3-Way Valve                 |
| 18 | Electric Heater             |
| 19 | Temperature Sensor          |
| 20 | Drain                       |
| 21 | Pressure Gauge              |
| 22 | Shower                      |
| 23 | Double Check Shut-off Valve |

| #. | Description             |
|----|-------------------------|
| 1  | Heat Pump               |
| 2  | Flexible Pipe           |
| 3  | Magnet Filter           |
| 4  | Pressure-reducing Valve |
| 5  | Shut-off Valve          |
| 6  | Y-Type Water Filter     |
| 7  | Automatic Bypass Valve  |
| 8  | Buffer Tank             |
| 9  | Expansion Tank          |
| 10 | Relief Valve            |
| 11 | Air Vent Valve          |
| 12 | Water Pump              |

## Expansion Vessel

The expansion vessel can be fitted in either the return or flow pipework. To reduce the operating temperature of the expansion vessel, install it below the pipe to which it is connected. The expansion vessel may be positioned away from the system, providing the connecting pipe's diameter is not less than 13 mm.

- Note**
- If the expansion vessel is connected through a flexible hose, ensure that the hose is not twisted.
  - The expansion vessel's size must be sufficient for the system's volume. Refer to BS 7074:1:1989 or the Domestic Heating Design Guide for sizing the required vessel.

## Pressure Gauge

The pressure gauge must have an operating range of 0 to 4 bar. It must be located in an accessible place next to the system's filling loop.

## Safety Valve

The safety valve is set to operate at 3 bar. It should be installed in the flow pipework close to the heat pump. Ensure that the pipework between the safety valve and the heat pump is unrestricted, meaning it should not contain any valves.

### CAUTION

The safety valve must be connected to a discharge pipe that allows the discharge to be visible but prevents injury to persons and damage to property."

## Filling Loop

Provisions should be made to replace water lost from the system. This can be done manually, where permitted by local water authorities, using an approved filling loop arrangement that incorporates a double check valve assembly. The filling loop must be isolated and disconnected after the system has been filled.

## Heating System

The maximum set temperature for the central heating water is 70°C. Ensure that an automatic air vent is installed at the highest point of the system. If thermostatic radiator valves are installed on all radiators, system bypass is required. The bypass must be automatic and correctly set during system commissioning. All fittings within the system should withstand pressures up to 3 bar, and radiator valves must meet the specifications of BS 2767:1991. Additionally, one or more drain taps compliant with BS 2879 should be installed to enable complete drainage of the system.

## 4.2 Filling the Sealed System

### WARNING

Do not overfill. Fill or add water to the system when it is cold and the heat pump is turned off.

### Before Filling the System

Check the air charge pressure in the expansion vessel.

- The charge pressure should be approximately 0.2 bar lower than the maximum static head of the system.
- Ensure that the charge pressure is not less than the actual static head at the point of connection.

### Checking Automatic Air Vents

1. Ensure the small cap or screw on all automatic air vents is open at least one turn.
2. Keep the cap or screw in this position until filling is complete, then close it.

### Preparing for Filling

1. Loosen the plug on the automatic air vent located inside the heat pump.
2. Ensure the flexible filling loop is connected and the double check shut off valve connecting it to the water supply is closed.

- Note** A valve is open when the operating lever is in line with the valve and closed when it is at right angles to it.

## Filling

1. Open the fill point valve.
2. Gradually open the double check valve on the water supply until you can hear water flowing.
3. When the pressure gauge needle is between 0.5 and 1.0 bar, close the valve.
4. Vent each heat emitter in turn, starting with the lowest one, to remove air.
5. Continue filling until the pressure gauge is between 0.5 and 1.0 bar, then close the fill point valve.

**Note** The system fill pressure (cold) should be 0.2–0.3 bar greater than the vessel charge pressure.

## After Filling

**Note** The air charge pressure can be checked using a tyre pressure gauge on the expansion vessel's Schrader valve. The vessel may be re-pressurised, when necessary, using a suitable pump. When checking the air pressure, ensure the water in the heating system is cold and the system pressure is reduced to zero.

1. Repeat the venting and filling steps as necessary until the system is full of water at the correct pressure.
2. Release excess water from the system by manually operating the safety valve until the system design pressure is obtained.
3. Close the fill point, double check valves on either side of the filling loop, and disconnect the loop.
4. Check the system for water soundness, rectifying any issues if necessary.

## 4.3 Operating the Pressure Relief (Safety) Valve

Check the operation of the pressure relief (safety) valve by doing the following:

1. Turn the head of the valve anticlockwise until it clicks. The click indicates that the safety valve head has lifted off its seat, allowing water to escape from the system.
2. Check if water is leaking from the system. If water is not leaking, do not further force the valve open. Instead, assess the system for any potential issues or blockages before proceeding.
3. Top up the system pressure as necessary.

## 4.4 Domestic Hot Water Operation

When a demand for Domestic Hot Water (DHW) is initiated, the heat pump will continue providing space heating for a minimum of 15 minutes. If space heating is already active during this period, the heat pump will prioritise DHW.

During the provision of DHW, the target flow temperature will be 55°C, regardless of the space heating target temperature.

**Note** Weather compensation control is not supported during DHW mode.

By default, the heat pump will revert to its original demand setting or standby state after 120 minutes. If this timeout occurs when DHW is in demand, the motorised valve of the DHW circuit will remain open, as it is controlled by the cylinder thermostat rather than the heat pump. This can lead to inefficient heating if the stored water is hotter than the space heating flow temperature.

Additionally, if the motorised valve for space heating is open during when DHW is in demand, the 55°C flow will enter the space heating circuit, increasing cylinder recovery time.

To minimise high temperature periods and running costs, avoid simultaneous space heating and DHW demands.

## 4.5 Legionella

The heat pump can be used to raise the hot water cylinder temperature to around 60°C. For protection against Legionella, immersion elements are controlled to purify the cylinder for one hour daily or together at a maximum temperature of 60°C.

**Note** For this system to operate, the existing immersion switch must be left permanently set to ON. To completely prevent operation of the immersion element, the existing immersion switch must be set to OFF.

### Sanitisation Regime

Special attention must be paid to vulnerable individuals who may be at risk of exposure to potentially life-threatening Legionella bacteria. This group includes the elderly, pregnant women, young children, and individuals with breathing difficulties. Additionally, households with low water usage should also be considered at risk.

While this list is not exhaustive, it is crucial to discuss any potential issues with the occupants before determining the appropriate preventive measures. The decision should prioritise the welfare of the occupants over energy-saving measures. Refer to the following table for legionella group sanitation regime.

| Group                | Uses less than 50 litres of hot water per day                             | Uses more than 50 litres of hot water per day                                 |
|----------------------|---|---|
| Vulnerable Group     | Store at 50°C and raise hot water cylinder to 60°C for 1 hour every day.  | Store at 50°C and raise hot water cylinder to 60°C for an hour every 3 days.  |
| Non-Vulnerable Group | Store at 50°C and raise hot water cylinder to 60°C for 1 hour every week. | Store at 50°C and raise hot water cylinder to 60°C for an hour every 2 weeks. |



#### WARNING

If the hot water stored in the cylinder has not been used for a prolonged period (e.g., a few days) and has not been stored at 60°C, raise the temperature to at least 60°C for one hour before using the hot water.

## 4.6 Day Immersion Programmer (Legionella)

This system uses the existing cylinder immersion heater, it can be controlled from the heat pump. This allows the immersion element to be programmed to operate for the required period on either a daily or weekly basis.

Once configured, this system operates fully automatically but can be overridden if necessary. Additionally, you can still switch off the immersion element using the double-pole isolation switch integrated into the programmer's design, regardless of the programmer or cylinder thermostat settings or whether the heat pump is operating.

## 4.7 Compressor Protection Function

When the unit is powered on for the first time, the compressor will preheat for approximately one hour to prevent damage from a low-temperature start-up.

**Note** There is no operation during preheating operation.



#### CAUTION

The installation must be in line with MCS standards and system design.

## 5. Connecting the Electrical Supply

### ⚠ CAUTION

The installation must be in line with MCS standards and system design.

### ⚠ WARNING

Improperly connecting the electrical supply can result in electrical shock and electrocution. All electrical connections must be carried out in line with the British standards and governing regulations and by a competent, qualified electrician.

### ⚠ DANGER

- You must ensure that the heat pump is disconnected from the electrical supply before carrying out any servicing inside the heat pump and, particularly, on the electric terminal strips.
- If the electrical supply is connected, contact with electricity could cause component damage or serious injury.

### ⚠ CAUTION

- Label all wires before disconnecting them when you are working on the controls. Wiring errors can cause improper and dangerous operation. Verify proper operation after servicing is complete.
- Be sure to properly ground the unit. Do not connect the ground line to any gas pipe, liquid pipe, lightning rod, or telephone ground line. If the grounding is incomplete, it may cause electric shock.

### 5.1 Accessing the Terminal Strips

All the wiring connections are made to the terminal PCB and terminal block inside the heat pump. To access these connections, remove the wiring cover at the right end of the heat pump.

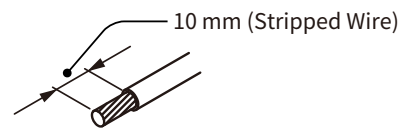
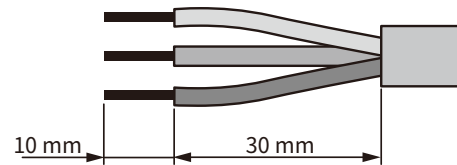
### 5.2 Connecting the Power Supply Cables

#### ⚠ WARNING

Disconnect the main electrical supply before beginning any work and make sure all the necessary safety precautions are taken into account.

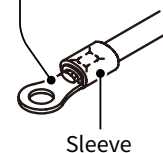
- Note**
- The cables and circuit breakers should meet EN Standards.
  - When the cable is long enough, ensure that the cable specification meets BS 7671 (IET Wiring Regulations).

1. Strip the end of the connecting cables to expose 10 mm of core wires, and then twist the core wires.



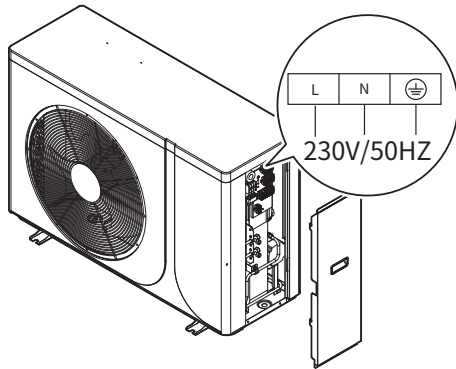
- Note**
- Crimp terminals with insulating sleeves can be used for connecting the wires to the terminal block.

Terminal Block  
Crimp Terminal

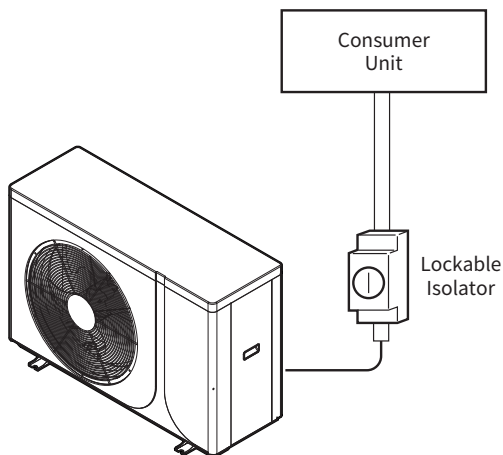


- Do not solder the stranded conductors.
- Use a circuit breaker with a 3 mm gap between the contacts.

2. Fasten each terminal screw securely.
3. After wiring the cables, check if the connections are secure by pulling the cable slightly. The heat pump must be connected to the supply terminals via the cable.



- Note**
- Use a dedicated power supply with a circuit breaker of the proper size to supply power to the heat pump. The final power supply connection must be made from a weatherproof lockable isolator located outside the building. The cable should be either armoured or shielded with a flexible conduit.



- Refer to the following table for the heat pump's power supply cable and breaker capacity for each model of the heat pump.

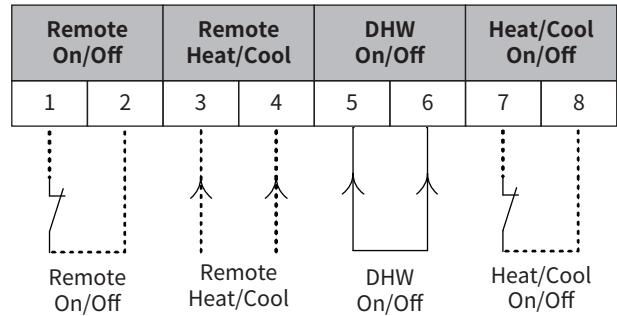
| Model          | Power Supply Cable (mm <sup>2</sup> ) | Breaker Capacity |
|----------------|---------------------------------------|------------------|
| PEM750V004PGKC | 2.5                                   | 16A              |
| PEM750V006PGKC | 4.0                                   | 25A              |
| PEM750V008PGKC | 4.0                                   | 32A              |
| PEM750V010PGKC | 6.0                                   | 40A              |
| PEM750V017PGKC | 10.0                                  | 50A              |

### 5.3 Setting the Remote Control Functions

To control the remote controller manually, set the **H07** parameter to 1.

#### Turning the Heat Pump On/Off

Close the Remote On/Off switch to turn on the heat pump. To turn off the heat pump, open the Remote On/Off switch.



#### Setting the Mode

To configure the mode settings, close or open the switches. Refer to the following table for detailed settings for each mode.

| Mode             | Remote Heat/Cool | DHW On/Off | Heat/Cool On/Off |
|------------------|------------------|------------|------------------|
| Heat             | Close            | Open       | Close            |
| Cool             | Open             | Open       | Close            |
| Hot water        | -                | Close      | Open             |
| Hot water + Heat | Close            | Close      | Close            |
| Hot water + Cool | Open             | Close      | Close            |

### 5.4 Connecting the Heating System Controls

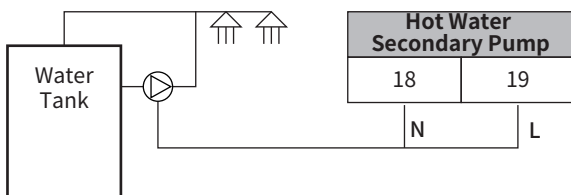
For information about connecting the heating system controls, refer to "11.3 Field Wiring Diagram" on page 80.

## 5.5 Connecting the Warm Water Secondary Circulation Pump

You can use hot water at any time when using a warm water secondary circulation pump.

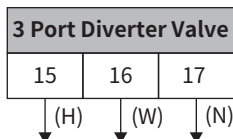
**Note** To change the warm water circulation pump's operation method, set up the **H40** parameter.

1. Remove the side cover of the heat pump.
2. Connect the wires to the **Hot Water Pump** terminal block as shown in the following diagram.



## 5.6 Connecting the 3 Port Diverter Valve

1. Remove the side cover of the heat pump.
2. Connect the wires to the **3 Port Diverter Valve** terminal block as shown in the following diagram.



Each terminal of the 3 port diverter valve is explained in the following table.

| Wire   | Descriptions   |
|--------|--|
| 15 (H) | Live signal (Heating) from the PCB to the 3 port diverter valve (Heating priority)               |
| 16 (W) | Live signal (Water heating) from the PCB to 3 port diverter valve (Hot water priority) (Default) |
| 17 (N) | Neutral signal from the PCB to 3 port diverter valve   |

**Note** Depending on the type of heating, the 3 port diverter valve should be set as follows.

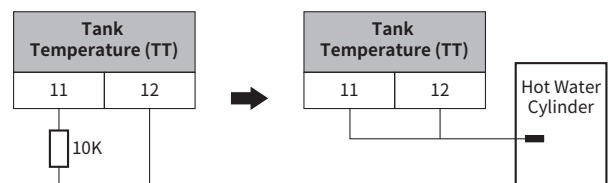
- When electric power is supplied to the 16 (**W**) and 17 (**N**) terminal, the 3 port diverter valve should be used for water heating (Priority Hot water) (Default).
- When electric power is supplied to the 15 (**H**) and 17 (**N**) terminal, the 3 port diverter valve should be used for under floor heating (Heating Priority).

## 5.7 Connecting the Temperature Sensor

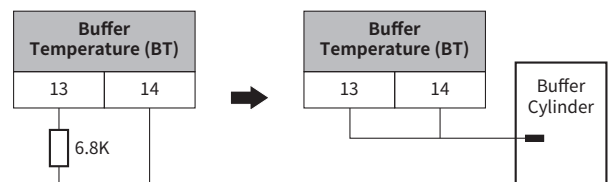
### ! CAUTION

- Before installing the temperature sensor, remove the resistor (6.8k or 10k).
- Insert the sensor into the sensor pocket firmly.

1. Remove the side cover of the heat pump.
2. Connect the wires to the **Tank Temperature (TT)** terminal block as shown in the following diagram.



[When 10K-Temperature Sensor is Used]

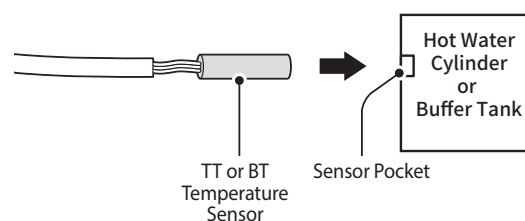


[When 6.8K-Temperature Sensor is Used]

**Note** To change the type of temperature sensor, change the **H25** parameter to the required temperature sensor.

| Parameter | Value | Description              |
|-----------|-------|--------------------------|
| H25       | 0     | Outlet Water Temperature |
|           | 1     | Room Temperature         |
|           | 2     | Buffer Tank Temperature  |
|           | 3     | Inlet Water Temperature  |

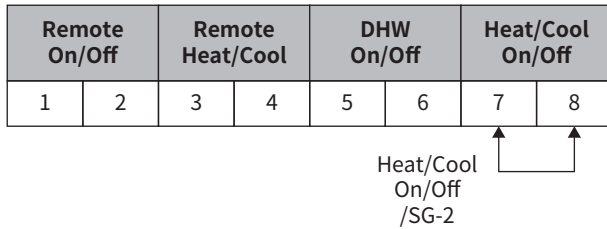
3. Connect the sensor to the hot water cylinder or buffer tank as shown in the following diagram. Make sure it is firmly connected so that it does not fall off.



**Note** If there is no sensor pocket in the buffer tank, set the **H25** parameter to 0.

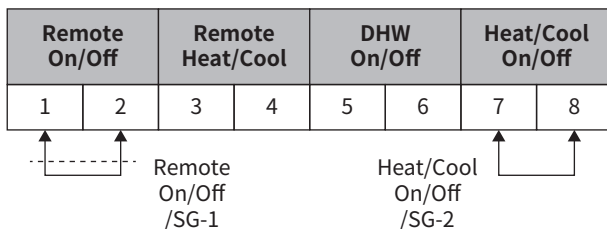
## 5.8 Configuring the Smart Grid (SG) Ready

1. Remove the side cover of the heat pump.
2. Connect the wires to the **Heat/Cool On/Off** terminal block as shown in the following diagram.



**[When the Inverter Only Supports One SG Output Signal]**

| SG-2 Status | Mode            | Description   |
|-------------|-----------------|---|
| Open        | Normal mode     | SG Ready is not active  |
| Close       | Solar High mode | The heat pump runs at full capacity and the warm water temperature is raised (the electric heater can be selected to be on or off). |



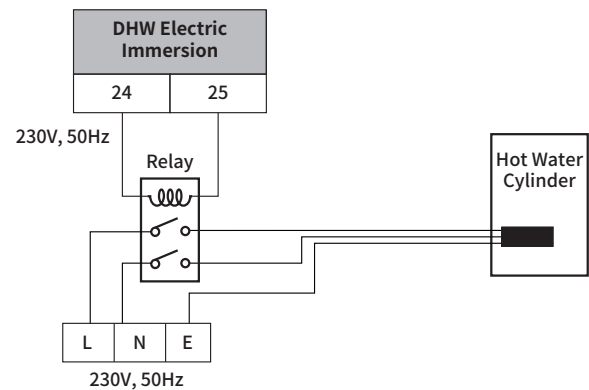
**[When the Inverter Supports SG Output and Input Signal]**

| SG-1 Status              | SG-2 Status | Mode              | Description  |
|--------------------------|-------------|-------------------|--|
| Open                     | Open        | Sleep mode        | The heat pump and electric heater are blocked in this mode.  |
| Open                     | Open        | Solar Low mode    | The operating power is limited.  |
| Open                     | Close       | Solar Medium mode | The operating power is limited.  |
| Close                    | Close       | Solar High mode   | The heat pump runs at full capacity and the warm water temperature is raised. (The electric heater can be selected to be on or off.) |
| After exiting Sleep mode |             | Normal mode       | SG Ready is not active.  |

## 5.9 Connecting the Electric Heater

1. Remove the side cover of the heat pump.
2. Connect the wires to the **DHW Electric Immersion** terminal block with a relay as shown in the following diagram.

**Note** The relay is not included with the product.



**Note** • To set the electric heater's stage, change the **H18** parameter.

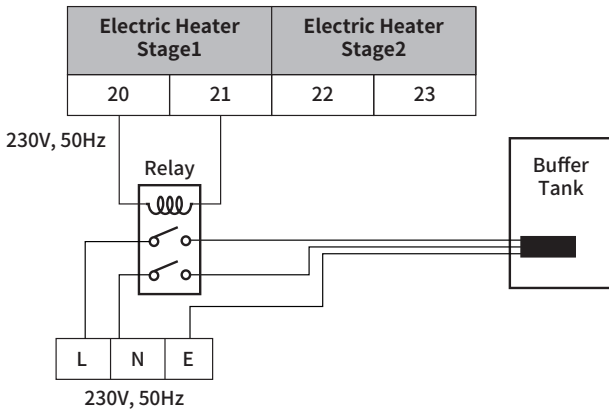
| Parameter | Value | Description  |
|-----------|-------|--|
| H18       | 1     | Only turns on stage 1.   |
| H18       | 2     | Once the value is set, Stage 1 will be turned off after 30 minutes, and then Stage 2 will be turned on.  |
| H18       | 3     | Depending on the current set stage, the stage will be changed as: <ul style="list-style-type: none"> <li>• Once the value is set, Stage 1 will be turned off after 30 minutes, and then Stage 2 will be turned on.</li> <li>• Once the value is set, Stage 2 will be turned off after 30 minutes, and then Stage 1 will be turned on.</li> </ul> |

• To disable the electric heating function, set the **R35** parameter to 0.

## 5.10 Connecting the Buffer Tank

1. Remove the side cover of the heat pump.
2. Set the **R35** parameter to 3 (buffer tank).
3. Connect the wires to the **DHW Electric Heater** terminal block with a relay as shown in the following diagram.

**Note** The relay is not included with the product.



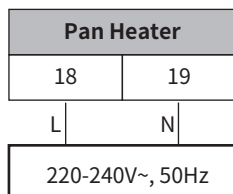
## 5.11 Connecting the Pan Heater



### WARNING

Disconnect the main electrical supply before beginning any work and make sure all the necessary safety precautions are taken into account.

1. Remove the side cover of the heat pump.
2. Connect the wires to the **Pan Heater** terminal block described in the following diagram.



- Note**
- The cables and circuit breakers should meet EN Standards.
  - When the cable is long enough, ensure that the cable specification meets BS 7671 (IET Wiring Regulations).

## 6. Installing the Remote Controller

### CAUTION

The installation must be in line with MCS standards and system design.

The remote controller should be installed in a place where you can easily view the display and control it.

### WARNING

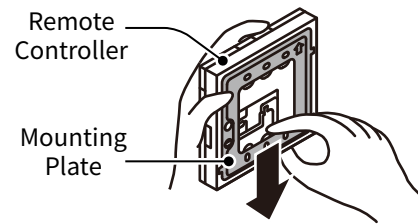
- Do not install the remote controller inside the heat pump casing.
- The remote controller is not waterproof. Do not install the remote controller in a place that has a wet environment, such as a bathroom.
- Do not install the remote controller above any heat-emitting appliances, such as cookers or boilers. Doing so may damage the electrical parts and outer case.
- Do not install the remote controller in any location subject to steam.
- Do not install the remote controller in a place exposed to direct sunlight.
- Do not install the remote controller where children can reach it.
- Do not install the remote controller in any location where industrial chemicals are used (ammonia, sulphur, chlorine, ethylene compounds, acids, etc.).
- Do not place the remote controller cable near the heat source.
- To avoid damage to the remote controller cable:
  - Route the remote controller cable in such a way that it is not in contact with heat.
  - Use a cable conduit.

- Note**
- It is a requirement of MCS installations that any indication of a fault (e.g., error codes displayed on the remote controller's screen) should be visible.
  - The remote controller can be installed in the same room as underfloor heating.

### 6.1 Installing the Remote Controller on a Wall

The electricity that flows between the heat pump and the remote controller is low-voltage, so being qualified to handle electronics is not required when installing the remote controller. However, it is still required to follow the technical standards for electrical equipment.

1. Disconnect the main power supply from the heat pump.
2. Slide the mounting plate downward to remove the plate from the remote controller.



3. Depending on the wiring's configuration, follow the instructions below to fix the mounting plate to the wall.

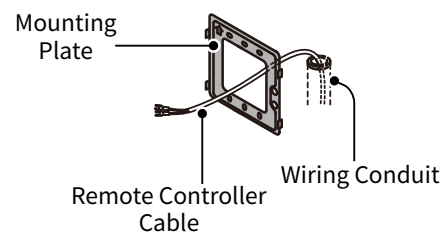
### CAUTION

Do not overtighten the screws. Doing so may damage the mounting plate's screw hole.

- Note** When installing the mounting plate on the tile, concrete, or mortar, use the wall plugs.

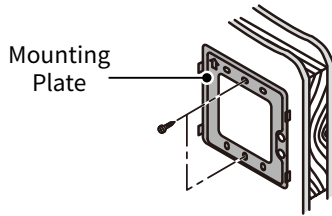
#### • When the wiring is hidden

- A. Pass the wiring conduit through the inside of the wall.
- B. Pull out the remote controller cable, passing it through the wiring conduit and wiring hole in the mounting plate.



• **When the wiring is exposed**

On the solid position on the wall, install the two screws to fix the mounting plate.



4. Connect the remote controller cable to the port on the back.

- Note**
- Hook the wires under the clamp, placing them onto the four hooks.
  - The remote controller has no polarity, so the wires can be connected either way.

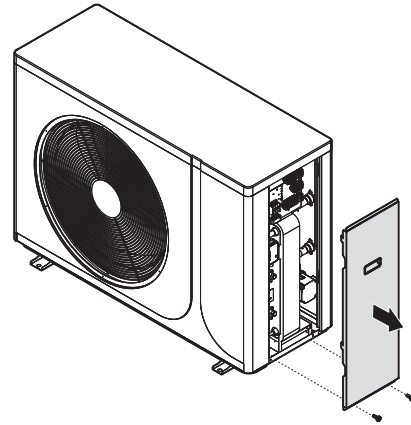
5. Fix the remote controller to the mounting plate by sliding it downwards, and then check if it is securely fixed to the mounting plate.

 **WARNING**

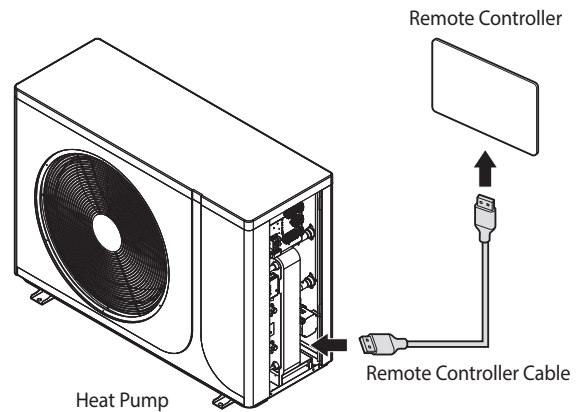
Do not use a power drill or power screwdriver. Doing so may damage the screw hole and result in contact failure.

## 6.2 Connecting the Remote Controller to the Heat Pump

1. Disconnect the main power supply from the heat pump.
2. Remove the side cover of the heat pump.



3. Connect the remote controller cable to the heat pump and the remote controller.



- Note** When connecting, check the tag indicated on the line and connect.

## 7. Using the Wi-Fi module

### CAUTION

The installation must be in line with MCS standards and system design.

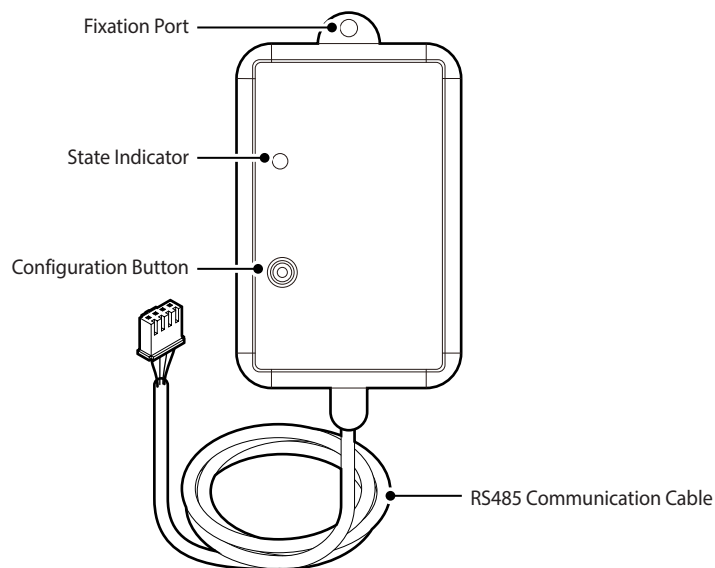
The Wi-Fi module provides two-way communication with the cloud server and the main device, supporting remote upgrades of both the module's baseplate MCU and the main device.

### CAUTION

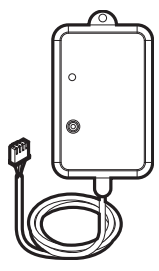
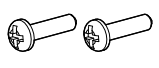
Ensure that the wiring is correct. The Wi-Fi module operates with 12V voltage, and higher voltage may damage the Wi-Fi module.

- Note**
- The Wi-Fi module should be placed in a location where it can receive a strong wireless signal.
  - If you encounter any issues or uncertainties during the installation or configuration process, consult with professional personnel from the customer support team or authorised dealers.

### 7.1 Components



### 7.2 Included Items

|   |   |   |
|---|---|---|
|  |  |  |
| Wi-Fi Module  | Screw (2ea)   | Cable Tie (4ea)   |

### 7.3 Technical Specifications

| Item                     | Wi-Fi   | Bluetooth   |
|--------------------------|---|-------------|
| Transmission Frequency   | 2.412–2.472                                     | 2.402–2.480 |
| Max Transmission Power   | 802.11b: +16 dBm (@11 Mbps)                     | 10 dBm      |
|                          | 802.11g: +15.5 dBm (@54 Mbps)                   |             |
|                          | 802.11n: +15 dBm (@HT20, MCS7)                  |             |
| Power Supply Voltage (V) | 3.0–3.6   |             |
| Supply Current           | Peak (Continuous Transmission): 260 mA          |             |
|                          | Average (STA, Networked Standby): 24 mA (DTIM1) |             |
|                          | Average (STA, 1kb/s): 54 mA                     |             |
|                          | Average (AP): 85 mA                             |             |
| Working Temp. (°C)       | -40–85  |             |
| Storage Temp. (°C)       | -40–125   |             |

### 7.4 Disposal Instructions



#### Disposal of the old appliance

Appliance marked with the symbol shown here must not be disposed of in the domestic refuse. You are obliged to dispose of such old electronic appliances separately. Please consult your local authority about the possibilities of organised disposal. With this environment-friendly form of disposal, old appliances are recycled or used in other forms.

### 7.5 CE Declaration of Conformity

Hereby, Heissner GmbH declares that the radio equipment type Z1-00 is in compliance with following Directive:

2014/53/EU 2011/65/EU

2014/30/EU 2014/35/EU

The full text of the EU declaration of conformity is available at the following address:

## 7.6 Installing the Wi-Fi module

The Wi-Fi module should be installed in a position where there are no obstacles between the Wi-Fi module and the wireless router, as this could interfere with communication. When the Wi-Fi module is too far from the router or there are potentially interfering elements between them, it may affect the performance of the Wi-Fi module. Also, place the Wi-Fi module where you can easily press the AP button for device verification.

### ! CAUTION

Do not install the Wi-Fi module in an area where it may be exposed to moisture or be struck. The operating temperature range of the module is 0°C–40°C, and its operating humidity range is 30%–90% (relative humidity).

1. Disconnect the main power supply to the heat pump.

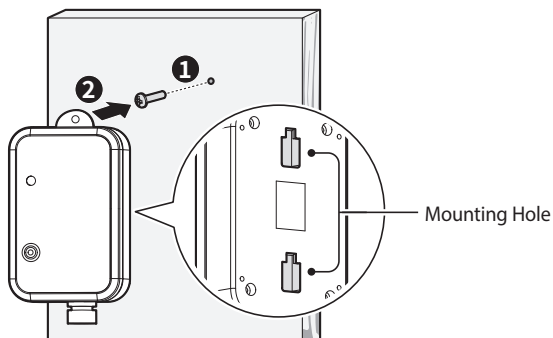
### ! CAUTION

Do not connect the Wi-Fi module cable when the heat pump is turned on.

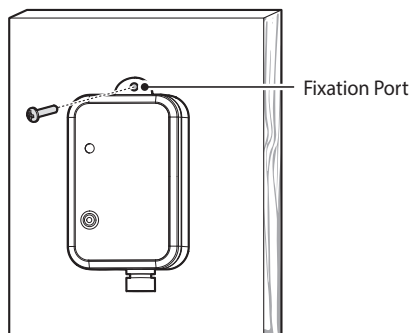
2. Mount the Wi-Fi module using screws or magnets.

#### • Mounting with screws

- A. Install the screw into the wall, and then insert the screw head into one of the Wi-Fi module's mounting holes to hang the module on the wall.

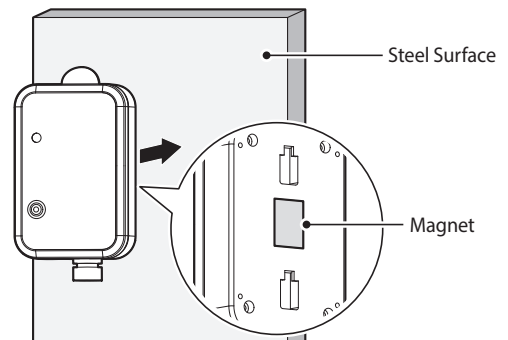


- B. Install the screw into the fixation port to fix the module on the wall.

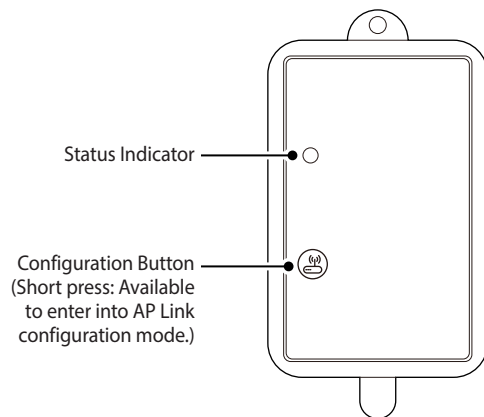


#### • Mounting with magnets

Attach the Wi-Fi module to the surface made of steel.



## 7.7 LED Status Indicators



| LED Colour/Status | State                                    |
|-------------------|--|
| Red               | Configuring the network                  |
| Purple            | Connecting the router                    |
| Blue              | Connecting to the server                 |
| Green             | Communicating with the server normally   |
| Flicker           | Communicating with the server abnormally |

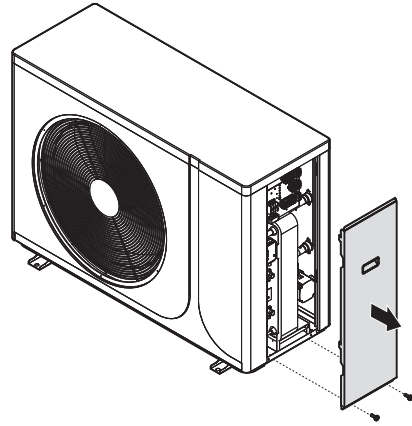
## 7.8 Using the Wi-Fi Module App

After installing the Wi-Fi module, scan the QR code to receive instructions on downloading the App.

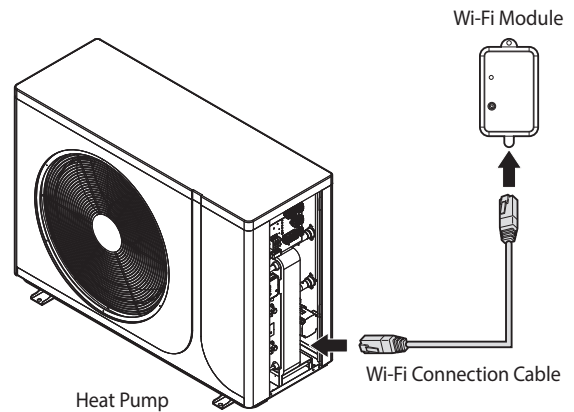


## 7.9 Connecting the Wi-Fi Module to the Heat Pump

1. Remove the side cover of the heat pump.



2. Connect the Wi-Fi connection cable to the heat pump and the Wi-Fi module.



**Note** When connecting, check the tag indicated on the line and connect.

## 8. Operating the Heat Pumps

### 8.1 Using the Front Panel

You can set the temperature and select Heating, Hot Water, or Cooling mode directly from the front panel, where you can also monitor operational information in real time. The parameter values can be easily adjusted to meet user preferences.

#### 8.1.1 Icons and Digital Display

The icons and digital display on the front panel provide important information required for the heat pump's operation. Refer to the following table for detailed information.





| #  | Name   | Description  |
|----|--|--|
| 1  | Home   | Indicates that the current screen is Home.   |
| 2  | Current mode in use                          | Displays the current mode in use.  |
| 3  | Date and time                                | Displays the current date and time.  |
| 4  | Ambient temperature                          | Displays the ambient temperature.  |
| 5  | SG Ready                                     | Displays when the Smart Grid (SG) Ready mode is set. SG Ready includes Solar Sleep mode, Solar Low mode, Solar Medium mode, Solar High mode, Normal mode.                      |
| 6  | Mode/temp/power timer                        | Displays when each timer is set.   |
| 7  | Power timer                                  | Displays when the power timer is activated.  |
| 8  | Mute timer                                   | Displays when the mute timer is activated.   |
| 9  | Defrosting                                   | Displays when the heat pump is defrosting.   |
| 10 | Fault  | Displays when an error occurs while using the heat pump. If you tap this icon, you can see the error details.  |
| 11 | Target temperature                           | Displays the target temperature.   |
| 12 | Outlet water temperature or room temperature | Displays the outlet water or room temperature.<br><b>Note</b> To change the temperature type, set the <b>H25</b> parameter (0: Outlet water temperature, 1: Room temperature). |

## 8.1.2 Buttons

By using the buttons on the front panel, you can turn on or off the heat pump, access to the mode menu, status, and set the values required for the heat pump's operation, such as heating and DHW supply temperatures. Refer to the following table for detailed information.



|   |   |  |   |   |  |
|---|---|--|---|---|--|
| a |  | <b>Power</b><br>Turns the heat pump on or off. | b |  | <b>Screen lock</b><br>Locks the screen.                    |
| c | <b>Mode</b>   | <b>Mode</b><br>Access to the mode menu.        | d | <b>Target</b>   | <b>Temperature setting</b><br>Sets the target temperature. |

## 8.2 Turning the Heat Pump On or Off

To turn the heat pump on or off, tap the power button (⏻).



When the power is turned on for the first time, the temperature will appear on the front panel display after the power is turned on.

### 8.3 Selecting the Operating Mode

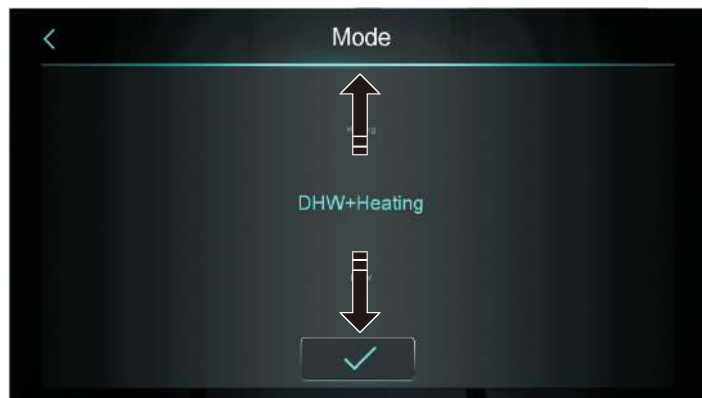
To turn the heat pump on or off, tap the power button (⏻).

**Note** Depending on your heat pump model, only supported modes will be displayed.

1. On the Home screen, tap **Mode**.



2. On the Mode screen, swipe the screen up or down to select the desired mode and then tap ✓ to confirm the mode.



Refer to the following table for detailed information on each mode.

| Mode                   | Description  |
|------------------------|--|
| DHW (Hot water only)   | Set the hot water temperature.<br>• Setting range: 15°C–70°C   |
| Heating (Heating only) | Set the heating temperature.<br>• Setting range: 15°C–75°C<br><b>Note</b> The heat pump operates at an ambient temperature of -25–43°C, recommended that the user set the target outlet water temperature of 30–60°C. The higher the water temperature, the worse the energy saving effect, and maximum target outlet water temperature is 75°C. |

| Mode                   | Description  |
|------------------------|--|
| Cooling (Cooling only) | <p>Set the cooling temperature.</p> <ul style="list-style-type: none"> <li>Setting range: 10°C–28°C</li> </ul> <p><b>Note</b> The heat pump operates at an ambient temperature of 10–43°C, recommended that the user set the target outlet water temperature of 7–20°C.</p> <div style="border: 1px solid black; padding: 5px;"> <p><b>! CAUTION</b></p> <p>When using Cooling mode, please use a fan coil. Using the radiator as is may cause damage due to condensation. Contact the Technical Helpdesk at 0344 332 2323.</p> </div> |
| DHW+Heating            | Operates in both Hot Water and Heating mode with hot water priority.   |

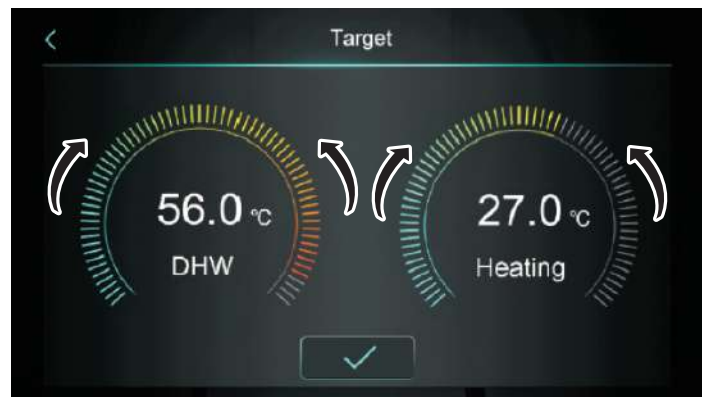
**Note** Depending on your heat pump model, only supported modes will be displayed.

## 8.4 Setting the Target Temperature

1. On the Home screen, tap **Target**.



2. On the Target screen, swipe the temperature scale to the left (lower) or right (higher) to adjust the temperature and then tap ✓ to confirm the target temperature.



## 8.5 Using the Smart Grid (SG) Ready Feature

The Smart Grid (SG) Ready is an advanced system that communicates with the electricity grid to optimise energy usage, often shifting operations to off-peak times to reduce costs. It can respond to signals from utility companies to temporarily reduce power during high demand, helping stabilise the grid. It allows the heat pump to enhance the use of renewable energy by operating more when clean energy is abundant.

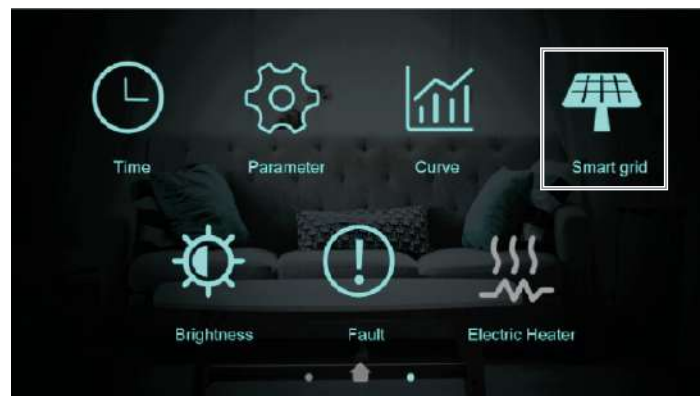
### 8.5.1 Setting the Smart Grid (SG) Ready Mode

### 8.5.2 Viewing the Smart Grid (SG) Ready Operation Status and Descriptions

1. On the Home screen, swipe the screen to the left.



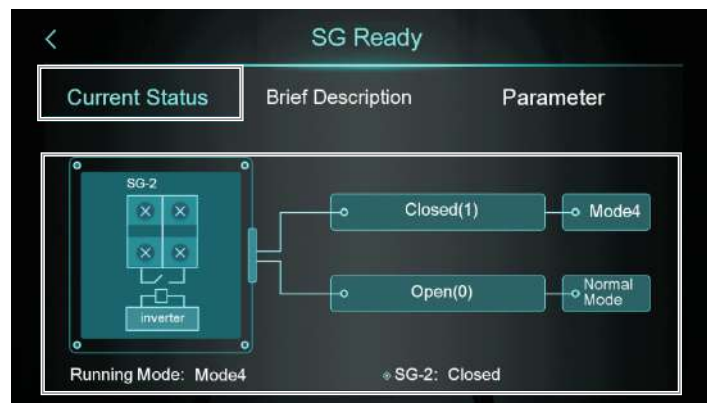
2. On the Setting screen, tap **Smart Grid**.



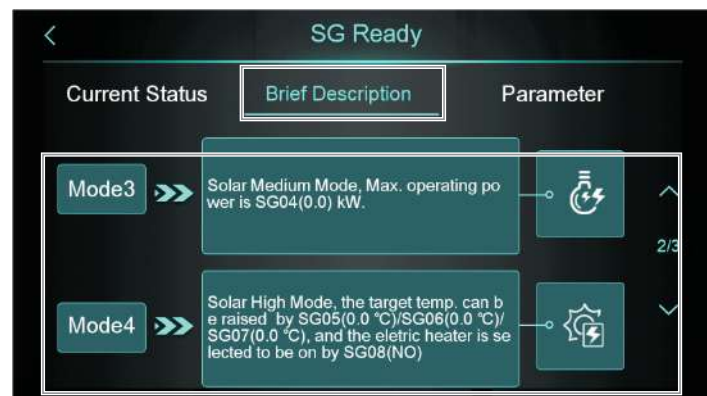
3. On the Smart Grid screen, tap **SG Ready**.



4. On the SG Ready screen, tap the **Current Status** tab and then view the SG Ready status in each set mode.



To view the brief description of each set mode, tap **Brief Description**.

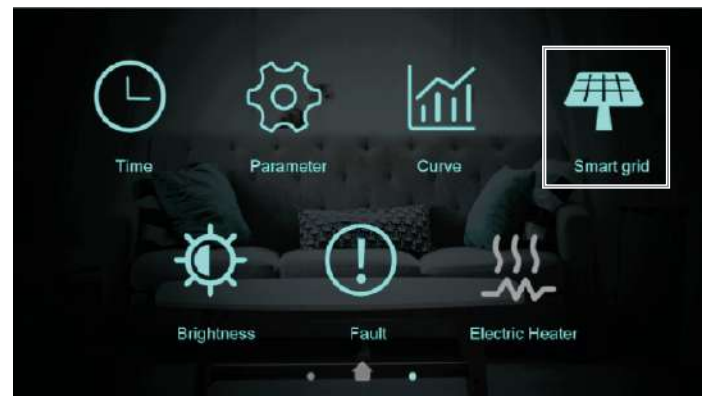


### 8.5.3 Setting the Smart Grid (SG) Ready Parameters

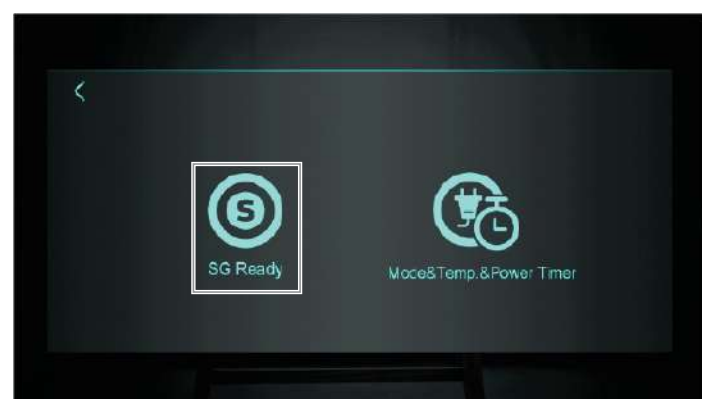
1. On the Home screen, swipe the screen to the left.



2. On the Setting screen, tap **Smart Grid**.



3. On the Smart Grid screen, tap **SG Ready**.



- On the SG Ready screen, tap **Parameter** and enter the password to enter the SG Ready parameter screen.



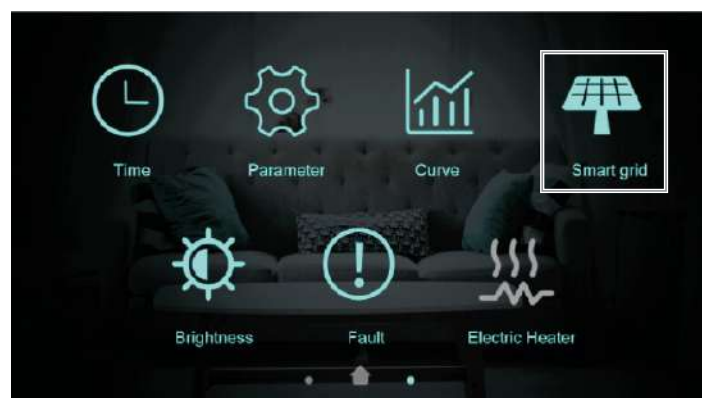
- In the Parameter tab, tap the parameter button, and then set the parameter value.

### 8.5.4 Setting the Smart Grid (SG) Ready for Mode, Temperature and Power Timer

- On the Home screen, swipe the screen to the left.



- On the Setting screen, tap **Smart Grid**.



3. On the Smart Grid screen, tap **Mode&Temp.&Power Timer**.



4. On the Mode&Temp.&Power Timer screen, set the Smart Grid (SG) Ready's details for the mode, target temperature and power timer.



| # | Name                | Description  |
|---|---------------------|--|
| 1 | Timer On/Off Switch | Tap the switch to enable or disable the timer.   |
| 2 | Information         | Tap to view the introduction of the function.  |
| 3 | Time Setting        | Tap to set the timer.  |
| 4 | Mode                | Tap to set the target mode. If you do not need to control the mode, select /.                    |
| 5 | Target Temperature  | Tap to set the target temperature.   |
| 6 | Maximum Power       | Tap to set the power limit from 0.0 to 99.9 kW. If you do not need to limit the power, select 0. |
| 7 | Turn Page           | Tap to select the desired day to repeat. A maximum 6 timer profiles can be set.                  |
| 8 | Week Settings       | Tap to set the timer date.   |

## 8.6 Setting the System Time and Timer

You can adjust the system time or set the timer for various actions of the water heat pump.

### 8.6.1 Setting the System Time

1. On the Home screen, swipe the screen to the left.



2. On the Setting screen, tap **Time**.



3. On the Time and Timer Setting screen, tap **System Time**.



- On the System Time screen, swipe the screen upward or downward to set the time and then tap ✓ to confirm the system time.



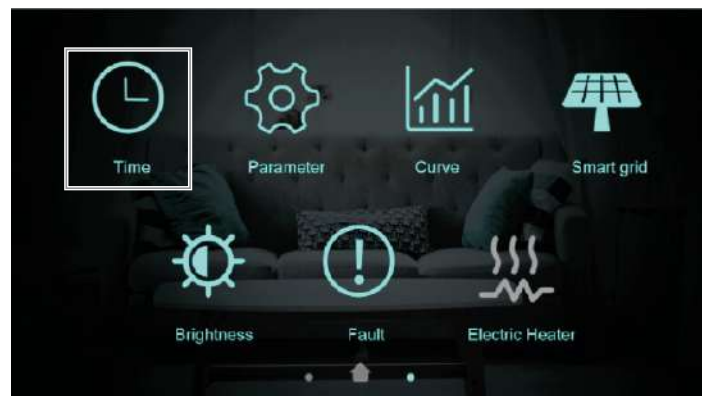
- Note**
- The default time is set to the moment when entered the setting page.
  - When the temperature unit is °F, the time format is displayed as 'month-day-year, hour: minute: second'.

## 8.6.2 Setting the Power Timer

- On the Home screen, swipe the screen to the left.



- On the Setting screen, tap **Time**.



3. On the Time and Timer Setting screen, tap **Power Timer**.



4. On the Power Timer screen, set the timer for turning the water heat pump on or off.



Refer to the following table for detailed information on the Power Timer screen.

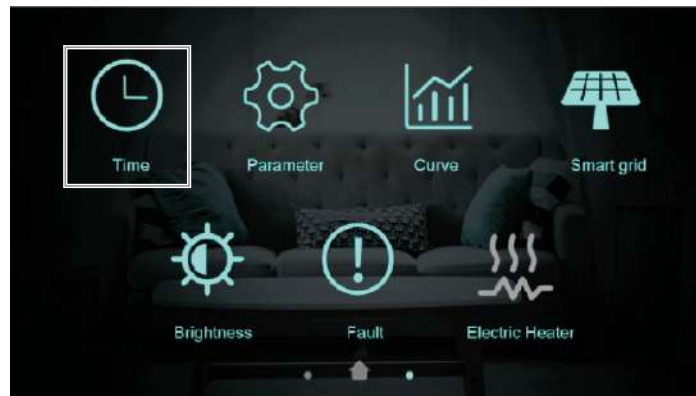
| # | Name          | Description   |
|---|---------------|---|
| 1 | On/Off Switch | Tap to turn on or off the power timer function.                       |
| 2 | Week          | Tap to set the day of the week to activate the timer.                 |
| 3 | Time Period   | Tap to set the power on and off time.                                 |
| 4 | Turn Page     | Tap to switch the timer profile. Maximum 3 timer profiles can be set. |

### 8.6.3 Setting the Warm Water Circulation Control Timer

1. On the Home screen, swipe the screen to the left.



2. On the Setting screen, tap **Time**.



3. On the Time and Timer Setting screen, tap **Warm Water Cir. Control**.



4. On the Power Timer screen, set the control time for warm water circulation.



Refer to the following table for detailed information on the Warm Water Cir. Control screen.

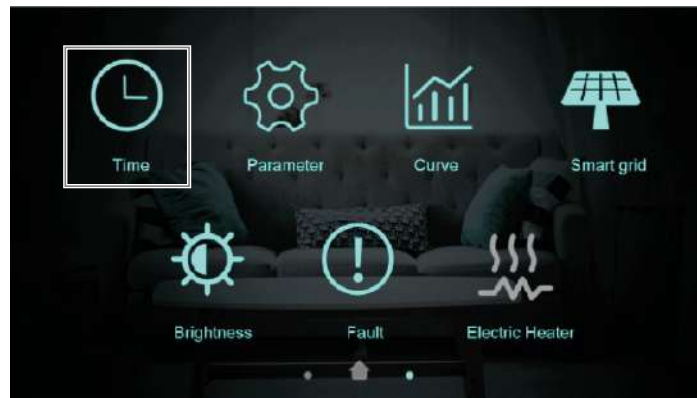
| # | Name          | Description   |
|---|---------------|---|
| 1 | On/Off Switch | Tap to turn on or off the warm water cir. control timer function.     |
| 2 | Week          | Tap to set the day of the week to activate the timer.                 |
| 3 | Time Period   | Tap to set the warm water circulation enabling and disabling time.    |
| 4 | Turn Page     | Tap to switch the timer profile. Maximum 3 timer profiles can be set. |

### 8.6.4 Setting the Mute Timer

1. On the Home screen, swipe the screen to the left.



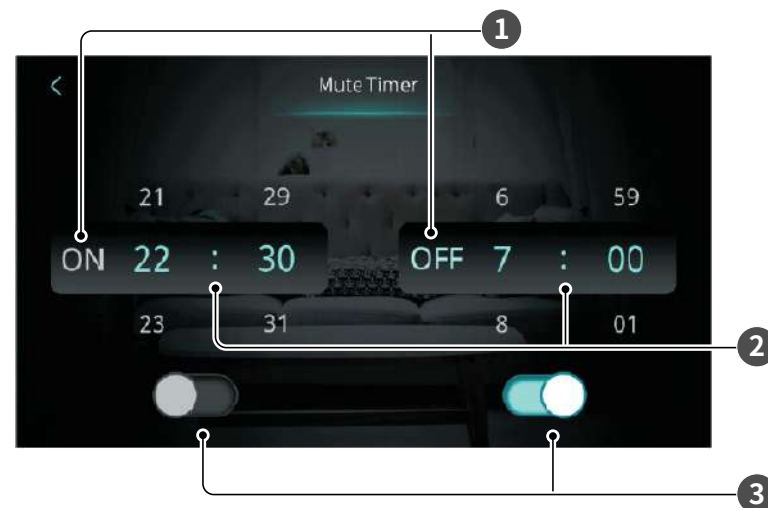
2. On the Setting screen, tap **Time**.



3. On the Time and Timer setting screen, tap **Mute Timer**.



4. On the Mute Timer screen, swipe the screen upward or downward to set the mute timer's time.



Refer to the following table for detailed information on the Mute Timer screen.

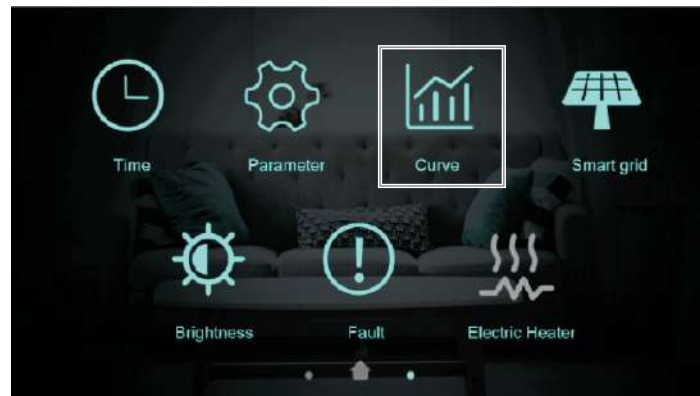
| # | Name              | Description                                    |
|---|-------------------|--|
| 1 | Mute Timer Status | Displays the current mute timer's time.        |
| 2 | Time Period       | Tap to set the mute timer's time.              |
| 3 | On/Off Switch     | Tap to turn on or off the mute timer function. |

## 8.7 Viewing the Temperature Curve

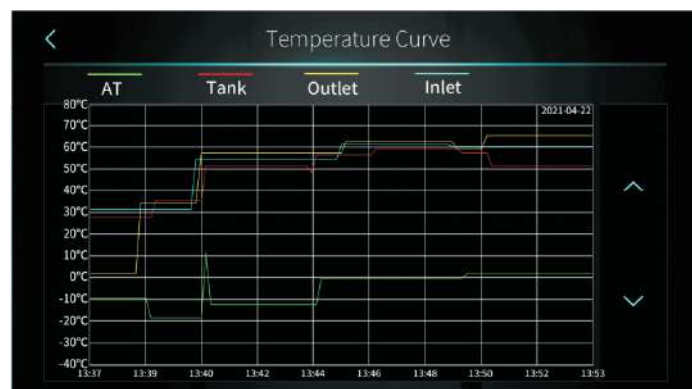
1. On the Home screen, swipe the screen to the left.



2. On the Setting screen, tap **Curve**.



3. On the Temperature Curve screen, view the detailed information on each part's temperature status.



### Note

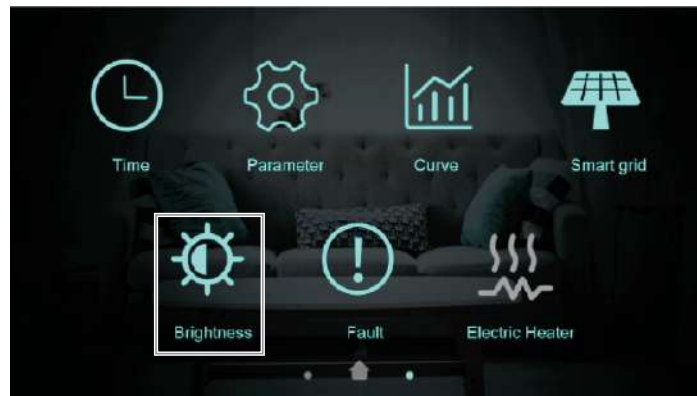
- This curve function records the water inlet temperature, water outlet temperature, tank water temperature and ambient temperature.
- Temperature data is collected and saved every five minutes. Timekeeping is made from the latest data saving.
- The data is only recorded when the power is supplied to the water heat pump. When the power supply to the water heat pump is disconnected and disrupted, the data will be lost. But if the power supply is disrupted for less than five minutes, the data change during such period will not be saved.
- The value of the abscissa indicates the time from the point on the curve to the current time point. The rightmost point on the first page is the latest temperature record.
- Temperature curve record is provided with power-down memory function.

## 8.8 Adjusting the Display Brightness

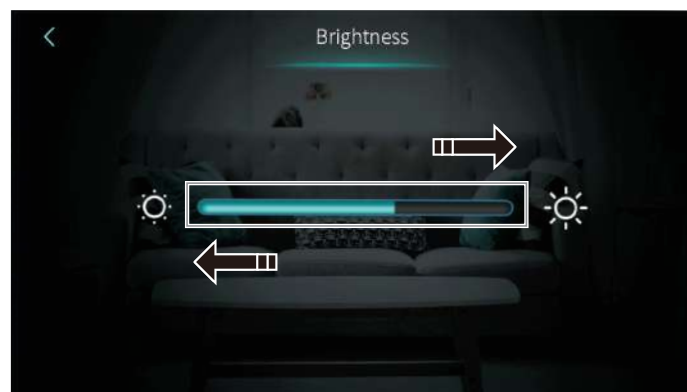
1. On the Home screen, swipe the screen to the left.



2. On the Setting screen, tap **Brightness**.



3. On the Brightness screen, swipe the bar to the left or right to adjust the display brightness.



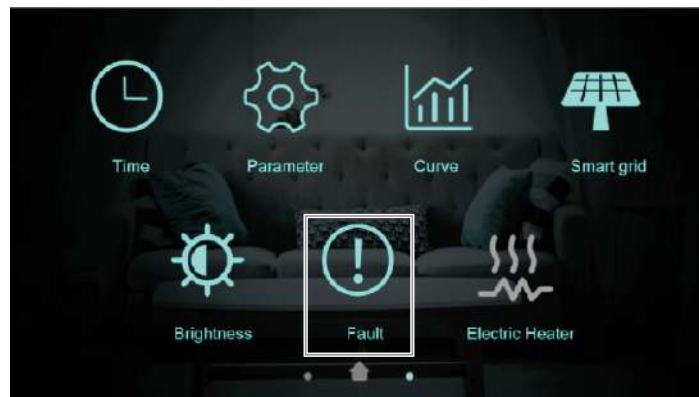
- Note**
- Screen brightness will be saved on power-down memory.
  - The screen automatically turns on and off. When there is no operation for 30 seconds, the screen will enter the half-time screen state. If there is no operation for another 5 minutes (a consecutive 5 minutes), the screen will enter the screen state.

## 8.9 Viewing the Fault Records

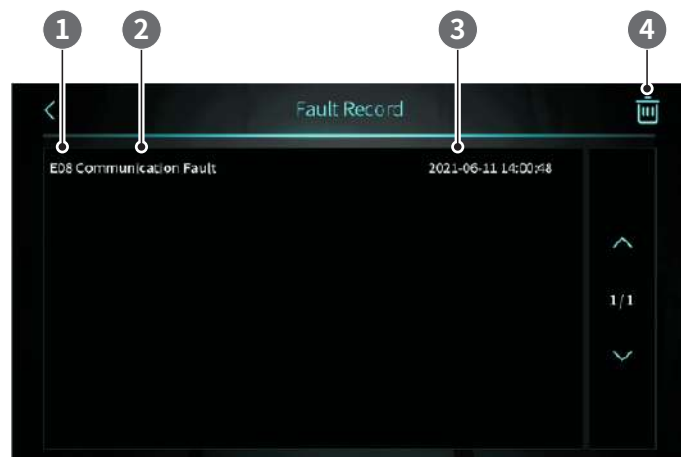
1. On the Home screen, swipe the screen to the left.



2. On the Setting screen, tap **Fault**.



3. On the Fault Record screen, view the list of fault records.



| # | Name          | Description   |
|---|---------------|---|
| 1 | Fault Code    | Displays the fault code number.   |
| 2 | Fault Name    | Displays the fault name.  |
| 3 | Date and time | Displays the date and time of fault occurrence.<br><b>Note</b> When the temperature unit is °F, the time format of the occurrence date is displayed as 'month-day, hour: minute: second'. |
| 4 | Delete icon   | Tap to delete all fault records.  |

## 8.10 Turning On or Off the Electric Heater

This feature is used to quickly increase the hot water or heating temperature, and it automatically turns off when the set temperature is reached.

1. On the Home screen, swipe the screen to the left.



2. On the Setting screen, tap **Electric Heater** to turn on or off the electric heater.



- Note**
- The Electric Heater icon turns dark when the electric heater is off.
  - When electric heating is not enabled, the Electric Heater icon is hidden.

## 8.11 Viewing the System Status


1. On the Home screen, swipe the screen to the right.



2. On the State screen, view the state of the overall system.




## 8.12 Locking or Unlocking the Screen

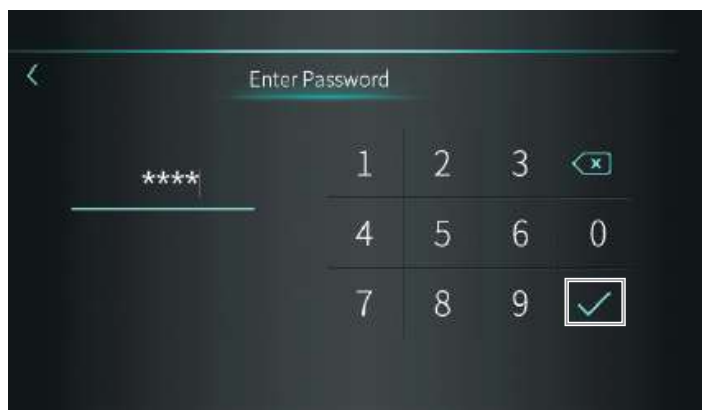
1. On the Home screen, tap  to lock the screen.



2. After the screen is locked, tap .



3. On the Enter Password screen, enter the password and then tap  to unlock the screen.



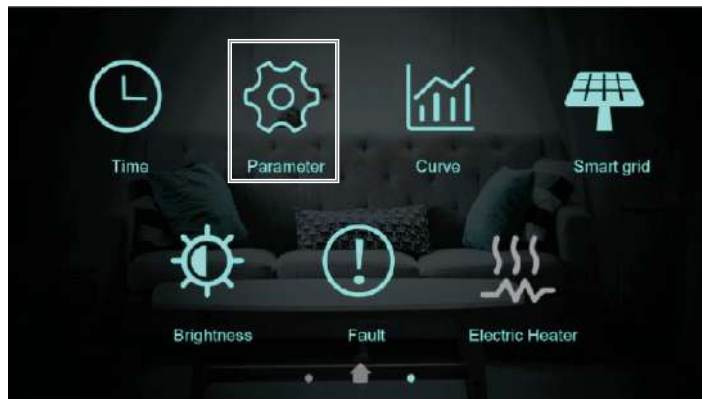
**Note** The default password is 022 or 22.

## 8.13 Setting the Parameters

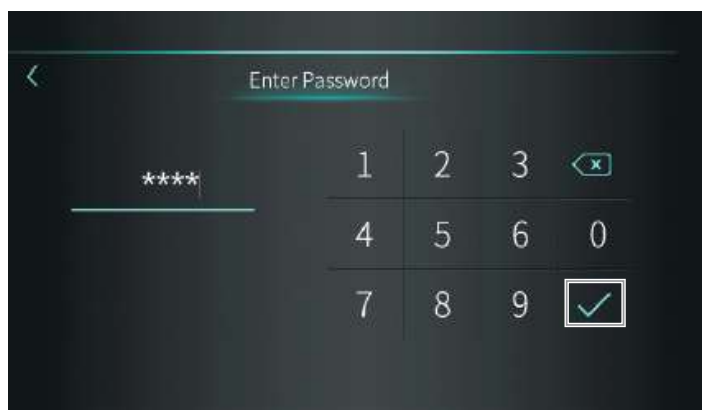
1. On the Home screen, swipe the screen to the left.



2. On the Setting screen, tap **Parameter**.



3. On the Enter Password screen, enter the password and then tap ✓ to unlock the screen.



**Note** The default password is 022 or 22.

4. Set the parameters you want to change according to the table below.

| Item                                  | code | Descriptions   |
|---------------------------------------|------|--|
| Min. DHW Target Temp.                 | R36  | Set the DHW target minimum temperature.<br><ul style="list-style-type: none"> <li>Setting range: 0–R37°C</li> <li>Default: 15°C</li> </ul>   |
| Max. DHW Target Temp.                 | R37  | Set the DHW target maximum temperature.<br><ul style="list-style-type: none"> <li>Setting range: R36–85°C</li> <li>Default: 70°C</li> </ul>  |
| Domestic Hot Water / DHW Target Temp. | R01  | Set the DHW target temperature.<br><ul style="list-style-type: none"> <li>Setting range: R36–R37°C</li> <li>Default: 55°C</li> </ul>   |
| Heating Target Temp.                  | R02  | Set the heating target temperature.<br><ul style="list-style-type: none"> <li>Setting range: R10–R11°C</li> <li>Default: 45°C</li> </ul>   |
| Cooling Target Temp.                  | R03  | Set the cooling target temperature.<br><ul style="list-style-type: none"> <li>Setting range: R08–R09°C</li> <li>Default: 12°C</li> </ul>   |
| Min. Cooling Target Temp.             | R08  | Set the cooling target minimum temperature.<br><ul style="list-style-type: none"> <li>Setting range: -30.0–R09°C</li> <li>Default: 5°C</li> </ul>  |
| Max. Cooling Target Temp.             | R09  | Set the cooling target maximum temperature.<br><ul style="list-style-type: none"> <li>Setting range: R08–80.0°C</li> <li>Default: 28°C</li> </ul>  |
| Min. Heating Target Temp.             | R10  | Set the heating target minimum temperature.<br><ul style="list-style-type: none"> <li>Setting range: -30.0–R11°C</li> <li>Default: 15°C</li> </ul>   |
| Max. Heating Target Temp.             | R11  | Set the heating target maximum temperature.<br><ul style="list-style-type: none"> <li>Setting range: R10–99°C</li> <li>Default: 75°C</li> </ul>  |
| Main Circulation Pump Operation Mode  | P01  | Set the main circulation pump operation mode.<br><ul style="list-style-type: none"> <li>Setting range: 0-[Always On], 1-[Saving], 2-[Interval]</li> <li>Default: 2-[Interval]</li> </ul>   |
| Interval Time                         | P02  | Set the main circulation pump interval time<br><ul style="list-style-type: none"> <li>Setting range: 0–120 min</li> <li>Default: 60 min</li> </ul>   |
| Operation Duration Time               | P03  | Set the main circulation pump operation duration time.<br><ul style="list-style-type: none"> <li>Setting range: 0–30 min</li> <li>Default: 1 min</li> </ul>  |
| DHW Pump Operation Mode               | P05  | Set the DHW pump operation mode.<br><ul style="list-style-type: none"> <li>Setting range: 0-[Always On], 1-[Saving], 2-[Interval]</li> <li>Default: 2-[Interval]</li> </ul>  |
| Temp. Control Selection               | H25  | Set the temp. control selection.<br><ul style="list-style-type: none"> <li>Setting range: 0-[Outlet Water Temp.], 1-[Room Temp.], 2-[Buffer Tank Temp.], 3-[Inlet Water Temp.]</li> <li>Default: 0-[Outlet Water Temp.]</li> </ul> |

| Item                           | code | Descriptions   |
|--------------------------------|------|--|
| Location of Electric Heater    | R35  | Set the location of the electric heater. <ul style="list-style-type: none"> <li>• Setting range: 0-[Not Available], 1-[Main Water Circuit], 2-[DHW Tank], 3-[Buffer Tank]</li> <li>• Default: 0-[Not Available]</li> </ul> |
| Electric Heater Stage          | H18  | Set the electric heater stage. <ul style="list-style-type: none"> <li>• Setting range: 1-[Stage1], 2-[Stage2], 3-[Stage3]</li> <li>• Default: 3-[Stage3]</li> </ul>  |
| External pump selection        | H40  | Set the external pump selection. <ul style="list-style-type: none"> <li>• Setting range: 0-[Hot Water Pump], 1-[Warm Water Cir. Pump], 2-[Off signal when defrosting]</li> <li>• Default: 0-[Hot Water Pump]</li> </ul>    |
| Display Control/Remote Control | H07  | Set the display and remote Control. <ul style="list-style-type: none"> <li>• Setting range: 0-[Display/Wire Controller], 1-[Dry Contact]</li> <li>• Default: 0-[Display/Wire Controller]</li> </ul>                        |

## 9. Maintaining the Heat Pump

### WARNING

- If there is refrigerant leakage, a fire or explosion may occur, causing property damage or personal injury.
- Only carry out the work if you are competent and have knowledge about the special features and risks of R290 refrigerant.
- The product contains the combustible refrigerant R290. In case of a leak, escaping refrigerant may mix with air to form a flammable atmosphere. There is a risk of fire and explosion.
- Ensure that the space is sufficiently aerated around the product.
- Ensure that the ventilation machinery and outlets are operating adequately and are not obstructed.
- If an indirect refrigerating circuit is used, check the secondary circuits for the presence of refrigerant. Ensure that markings on the equipment remain visible and legible.
- Correct any markings or signs that are illegible.
- Refrigeration pipes or components should be installed in a position where they are unlikely to be exposed to corrosive elements, unless the components are made from materials inherently resistant to corrosion or are properly protected against it.

Observe the basic safety rules before carrying out inspections and maintenance work or installing spare parts. Disconnect the unit from the power supply but ensure that the product is still grounded.

| Items                       | Tasks   |
|-----------------------------|---|
| Water pressure              | Check if the water pressure is above 0.3 bars. If necessary, fill the supplement water.   |
| Water filter                | Use the water filter for cleaning the water and clean it regularly.   |
| Water pressure relief valve | <ul style="list-style-type: none"> <li>• Check if the pressure relief valve is operating properly.</li> <li>• If there is water leakage or if water splashes out in normal conditions, contact your local installer.</li> </ul> |

| Items  | Tasks  |
|--------|--|
| Glycol | <ul style="list-style-type: none"> <li>• Record and check the glycol concentration and the pH-value in the system at least once a year.</li> <li>• A pH level below 8.0 indicates that a significant portion of the inhibitor has been depleted and that more inhibitor needs to be added.</li> <li>• When the pH level is below 7.0, oxidation of the glycol has occurred, the system should be drained and flushed thoroughly before severe damage occurs.</li> <li>• Make sure that the disposal of the glycol solution is done in accordance with relevant local and national regulation.</li> </ul> |

### DANGER

**There is a risk of death from electric shock if you touch live components. Before commencing work on the product:**

- Disconnect the product from the power supply by switching off all power supplies at all poles (electrical partition in overvoltage category III for full partition, e.g. fuse or circuit breaker).
- Secure against being switched back on again.
- Wait for at least 3 minutes until the capacitors have discharged.
- Check that there is no voltage.

## 9.1 Precautions for Daily Use

**Note** Do not change the system parameters without consulting an authorised technician or licensed professional.

Before starting the unit for the first time or after it has been shut down for a long time, the following must be done:

- Thoroughly inspect and clean the unit.
- Clean the water system.
- Check the water pump, regulating valve, and other related equipment.
- Tighten all wire connections.
- Ensure the water refill and exhaust devices in the waterway are operational. If they are not, the performance and reliability of the unit will become worse.
- Ensure that the water pipes are clean and avoid dirt and blockage.
- Check the electricity and water, and replace the faulty parts in a timely manner. Please use the parts that were provided or recommended by the company. Do not use other parts.
- Refrigerant supplement: Each unit has been equipped with sufficient refrigerant when leaving the factory. Do not add or change the refrigerant. If you need to replenish the refrigerant due to leakage, contact an authorised technician or licensed professional.

## 9.2 Periodic Maintenance (every 6 months)

| Tasks   | Descriptions   |
|---|--|
| Preparation                                     | Ensure that the unit is not running and cut off the power supply.  |
| Inspection and cleaning of fin heat exchanger   | To ensure that the heat exchangers remain in optimum condition for exchanging heat, their surfaces must be clean.                                    |
| Inspection and cleaning of plate heat exchanger | Every 6 months, or when the capacity of the unit drops by more than 10%, check the water-side heat exchanger for scale and clean the heat exchanger. |
| Check the electrical wiring                     | Check if the contact point is loose, oxidised, or blocked by debris, etc., which can result in the electronic wiring not having contact.             |

## 9.3 Cleaning the Casing

Clean the product using a sponge and hot water with a cleaning agent.

- Note**
- Do not clean the product with a high-pressure cleaner or spray the product directly with water.
  - Do not use abrasive cleaners, solvents or any cleaning agents that contain chlorine or ammonia.

## 9.4 Checking the Evaporator, Fan, and Condensate Discharge

- Check whether there is dirt between the fins or whether debris has adhered to the fins.
- Clean the fins using a soft brush, being sure to not bend the fins.
- Check whether dirt has accumulated on the condensate tray or in the condensate discharge pipe.
- Check whether the water can drain freely.

## 9.5 Disposal and Recycling

### General

Air source heat pumps incorporate components manufactured from a variety of different materials. However, most of these materials cannot be recycled as they are contaminated by the refrigerant and oil used in the heat pump.

### Disassembly

This product may only be disassembled by a qualified (F-gas) refrigeration engineer. Under no circumstances should the refrigerant be released into the atmosphere.

### Recycling

In order for the heat pump to be recycled or disposed of, it must be taken to a properly licensed waste disposal facility. You will need to contact a qualified refrigeration engineer to do this for you.

### Disposal

The refrigerant will be removed and returned to the refrigerant manufacturer for recycling or disposal. The complete heat pump unit, including the compressor and the oil contained within it, must be disposed of at a licensed waste disposal facility, as it still remains contaminated by the refrigerant.

## 9.6 Recovery

- Before and after performing refrigerant-related work, use a detector to check for refrigerant leaks.
  - Ensure that fire extinguishers are available in the vicinity of the operator.
  - Conduct the work in a well-ventilated area.
  - When removing refrigerant from the system for servicing or decommissioning, it is recommended to remove all of the refrigerant.
  - When transferring the refrigerant into cylinders, make sure that only refrigerant recovery cylinders are used.
  - All cylinders used for the recovered refrigerant should be labelled.
  - Cylinders should be equipped with pressure relief valves and shut-off valves in the proper order.
  - The recovery system should operate normally according to the specified instructions and should be suitable for refrigerant recovery.
  - The calibration scales should operate normally.
  - Hoses should be equipped with leak-free disconnect couplings.
  - Before starting the recovery, check the status of the recovery system and sealing state. Consult with the manufacturer if suspected.
  - The recovered refrigerant should be returned to the supplier in the correct recovery cylinders with the waste transfer note attached.
  - Do not mix refrigerants in the recovery units or cylinders.
  - If compressors or compressor oils are to be removed, make sure that they have been evacuated to the acceptable level to ensure that flammable refrigerant does not remain in the lubricant.
  - The evacuation process should be performed before sending the compressor to the suppliers.
  - Only the electrical heating to the compressor body is allowed to accelerate the process.
  - Oil should be drained safely from the system.
  - Never install motor-driven equipment. Doing so could result in flammable materials igniting.
  - Empty recovery cylinders should be evacuated and cooled before recovery.
- In addition to conventional charging procedures, the following requirements must be followed:
    - Prevent contamination of different refrigerants by using clean charging equipment. Hoses or lines should be kept as short as possible to minimise the amount of refrigerant they contain.
    - Keep cylinders upright.
    - Ensure the refrigeration system is properly earthed before charging it with refrigerant.
    - Label the system once charging is complete (if not already labelled).
    - Exercise extreme care to avoid overfilling the refrigeration system.
    - Before recharging the system, perform a pressure test with OFN. After charging, conduct a leak test before commissioning, and perform a follow-up leak test before leaving the site.
    - Use tools and pipe components specifically designed for R290 refrigerant.
    - Use copper pipes that are deoxidised with phosphorus to transport the refrigerant.
    - Store refrigerant connection pipes in a clean, dry area to prevent damage to the compressor. Apply refrigerant oil to the flared parts to ease tightening and improve the seal.
    - Protect the heat pump components, including insulation and structural elements. Avoid overheating the pipes, as brazed components may be damaged.
    - Protect the pipework from physical damage.
    - Insulate the pipes to minimise heat loss.

## 10. Commissioning

### 10.1 Checklist Commissioning (Before and Pre-test)

| Check List Commissioning (Before & Pre-test)  |                                  |                              |
|---|----------------------------------|------------------------------|
| Installation space suits the description in the manual (above average snow height/enough clearances)  | <input type="checkbox"/> Yes     | <input type="checkbox"/> No  |
| Outdoor unit is installed   | <input type="checkbox"/> Yes     | <input type="checkbox"/> No  |
| Product is protected against direct wind on fan/snow ingress  | <input type="checkbox"/> Yes     | <input type="checkbox"/> No  |
| If the product is installed close to sea, additional protection (coating) has been applied  | <input type="checkbox"/> Yes     | <input type="checkbox"/> No  |
| Heat pump is correctly secured to the base  | <input type="checkbox"/> Yes     | <input type="checkbox"/> No  |
| Provisions for condensate or drainage have been made without any risk of freezing (tracing heating)   | <input type="checkbox"/> Yes     | <input type="checkbox"/> No  |
| All external pipework is insulated  | <input type="checkbox"/> Yes     | <input type="checkbox"/> No  |
| The power supply is installed with a dedicated, correctly rated ELCB and correct cable sizing   | <input type="checkbox"/> Yes     | <input type="checkbox"/> No  |
| Voltage running on the power cable is rating voltage  | <input type="checkbox"/> Yes     | <input type="checkbox"/> No  |
| Power supply is fitted with an isolator within reach (arm length)   | <input type="checkbox"/> Yes     | <input type="checkbox"/> No  |
| ELCB fuse rating (amps)   | <input type="checkbox"/> Yes     | <input type="checkbox"/> No  |
| Main power supply cable size (mm <sup>2</sup> )   | <input type="checkbox"/> Yes     | <input type="checkbox"/> No  |
| Communication cable size (mm <sup>2</sup> )   | <input type="checkbox"/> Yes     | <input type="checkbox"/> No  |
| Communication cable shielded, single sided, connected to PE   | <input type="checkbox"/> Yes     | <input type="checkbox"/> No  |
| Water filled  | <input type="checkbox"/> Yes     | <input type="checkbox"/> No  |
| Glycol added <input type="checkbox"/> 10% <input type="checkbox"/> 20% <input type="checkbox"/> 30% <input type="checkbox"/> 40% <input type="checkbox"/> 50% | <input type="checkbox"/> Yes     | <input type="checkbox"/> No  |
| Anti-frost valves fitted  | <input type="checkbox"/> Yes     | <input type="checkbox"/> No  |
| System water pressure (bar)   |                                  |                              |
| Air purged  | <input type="checkbox"/> Yes     | <input type="checkbox"/> No  |
| Isolating valves fitted (supply and return sides)   | <input type="checkbox"/> Yes     | <input type="checkbox"/> No  |
| Flexible hoses fitted (supply and return sides)   | <input type="checkbox"/> Yes     | <input type="checkbox"/> No  |
| Correct pipe diameters for space heating  | <input type="checkbox"/> Yes     | <input type="checkbox"/> No  |
| Manometer installed   | <input type="checkbox"/> Yes     | <input type="checkbox"/> No  |
| Secondary circuit pump(s) installed   | <input type="checkbox"/> Yes     | <input type="checkbox"/> No  |
| 3-way diverting valve is in the default direction   | <input type="checkbox"/> Heating | <input type="checkbox"/> DHW |
| Expansion vessel is installed and pre-charged according $P_g = (H/10+0.3)$ bar  |                                  |                              |
| Combination inlet valve installed   | <input type="checkbox"/> Yes     | <input type="checkbox"/> No  |
| Tundish installed and connected to drain  | <input type="checkbox"/> Yes     | <input type="checkbox"/> No  |
| Water quality   |                                  |                              |
| Additives (Inhibitors) used   |                                  |                              |
| Corrosion inhibitor used  |                                  |                              |
| Additional heat sources max. supply temperature are limited to max. 75°C  | <input type="checkbox"/> Yes     | <input type="checkbox"/> No  |

## 10.2 Test Run

Perform test runs on the unit and monitor the exiting water and tank temperatures to check if the unit is working correctly. The following tests should be made:

- Heating
- Cooling
- DHW

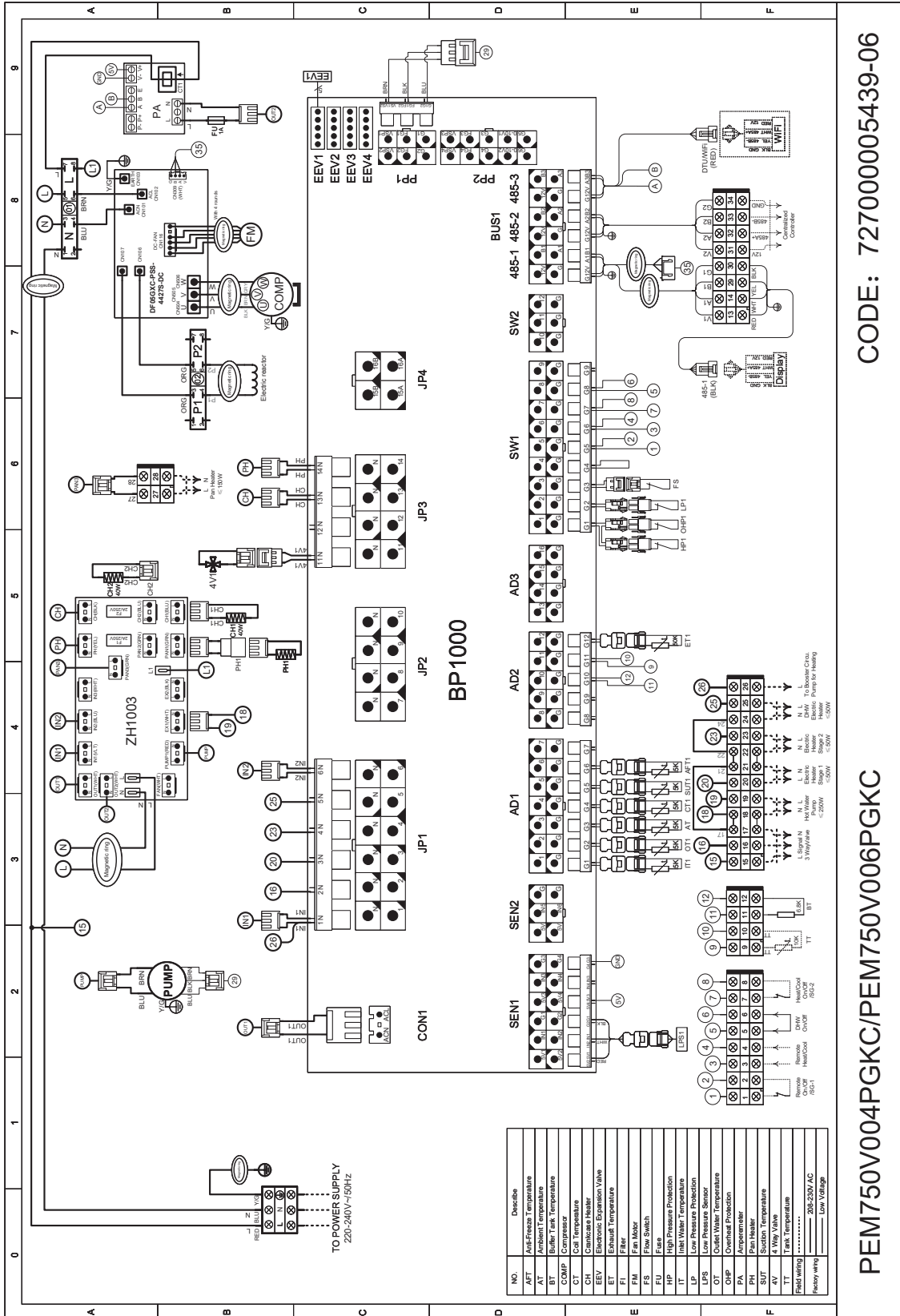
## 10.3 Checklist Commissioning (Operation Measured Data)

| Checklist commissioning (Operation measured data)   |     |
|---|-----|
| Ambient temperature   | °C  |
| Compressor speed (actual)   | Hz  |
| Running amps on power supply  | A   |
| Discharge temperature   | °C  |
| Target discharge temperature  | °C  |
| Condenser out temperature   | °C  |
| Evaporator in temperature   | °C  |
| Evaporator out temperature  | °C  |
| Heating set temperature   | °C  |
| Heating - Flow (l/min)  | l/m |
| Heating - Temperature difference over the Plate Heat Exchanger ( $\Delta T = T_{w2} - T_{w1}$ ) | °C  |
| DHW set temperature   | °C  |
| DHW - Flow (l/min)  | l/m |
| DHW - Temperature difference over the Plate Heat Exchanger ( $\Delta T = T_{w2} - T_{w1}$ )     | °C  |

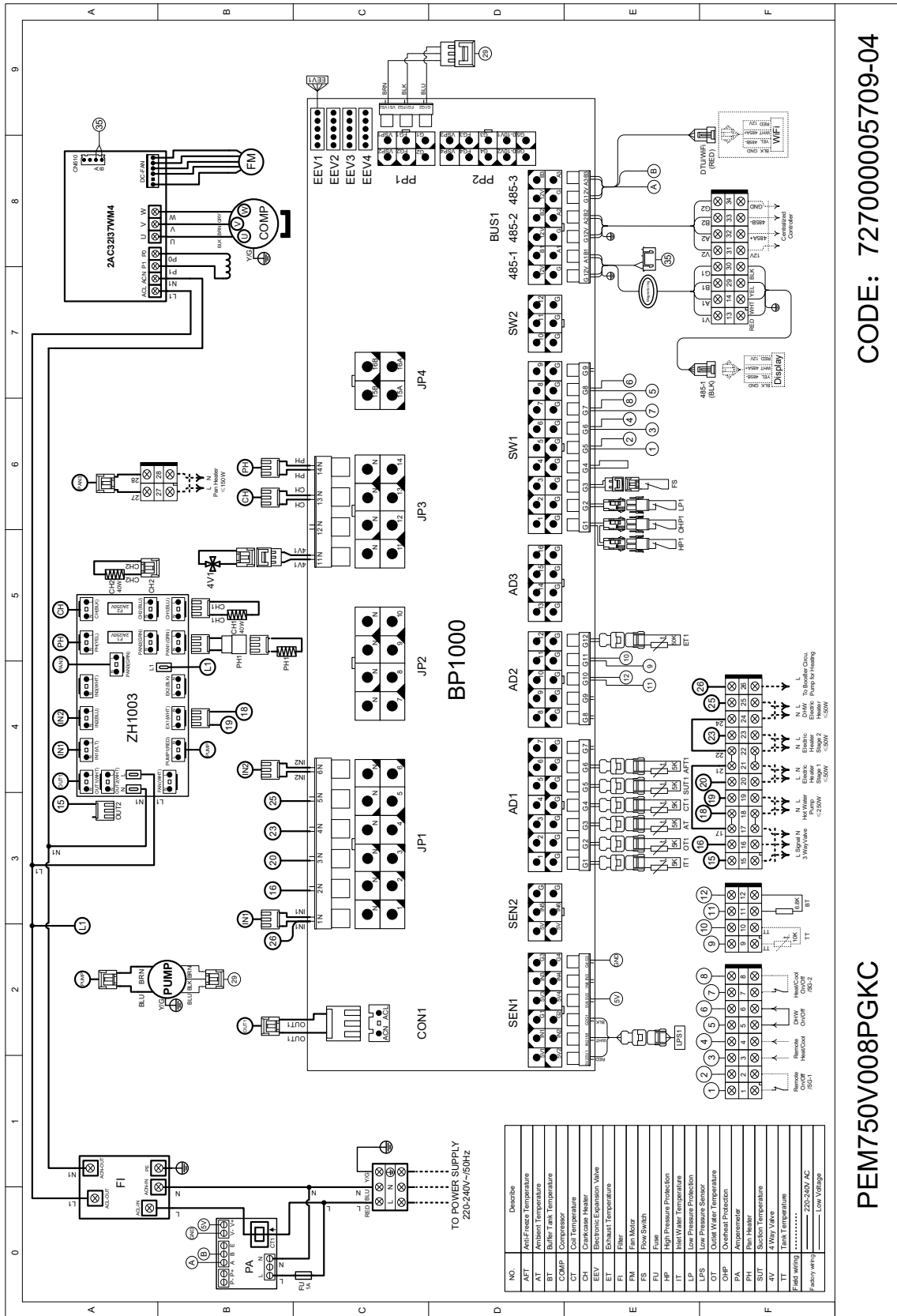
# 11. Appendices

## 11.1 Wiring Diagram

### 11.1.1 PEM750V004PGKC / PEM750V006PGKC



11.1.2 PEM750V008PGKC

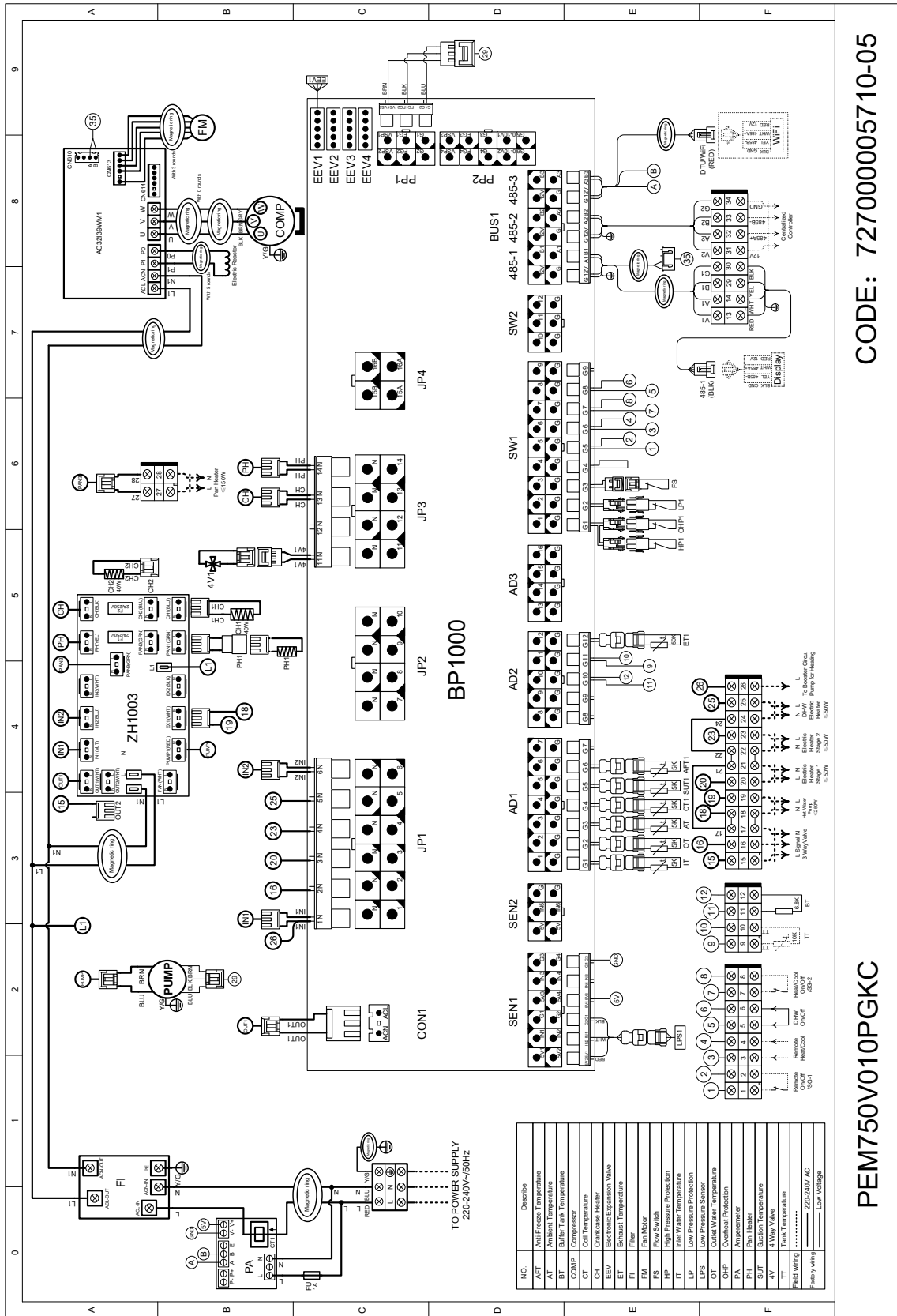


| No.          | Describe                   |
|--------------|----------------------------|
| AT           | Anti-Freeze Temperature    |
| BT           | Ambient Temperature        |
| BT           | Buffer Tank Temperature    |
| COMP         | Compressor                 |
| CT           | Coil Temperature           |
| CH           | Crankcase Heater           |
| EEV          | Electronic Expansion Valve |
| ET           | Evaporator Temperature     |
| FI           | Filter                     |
| FM           | Fan Motor                  |
| FS           | Flow Switch                |
| FS           | High Pressure Protection   |
| IT           | Hot Water Temperature      |
| LT           | Low Pressure Protection    |
| LPS          | Low Pressure Sensor        |
| OT           | Outlet Water Temperature   |
| OHP          | Overheat Protection        |
| PA           | Amplifier                  |
| PH           | Pin Heater                 |
| SUF          | Suction Temperature        |
| AV           | 4 Way Valve                |
| TT           | Tank Temperature           |
| Power Supply | 220-240V AC                |
| Factory Set  | Low Voltage                |

CODE: 727000005709-04

PEM750V008PGKC

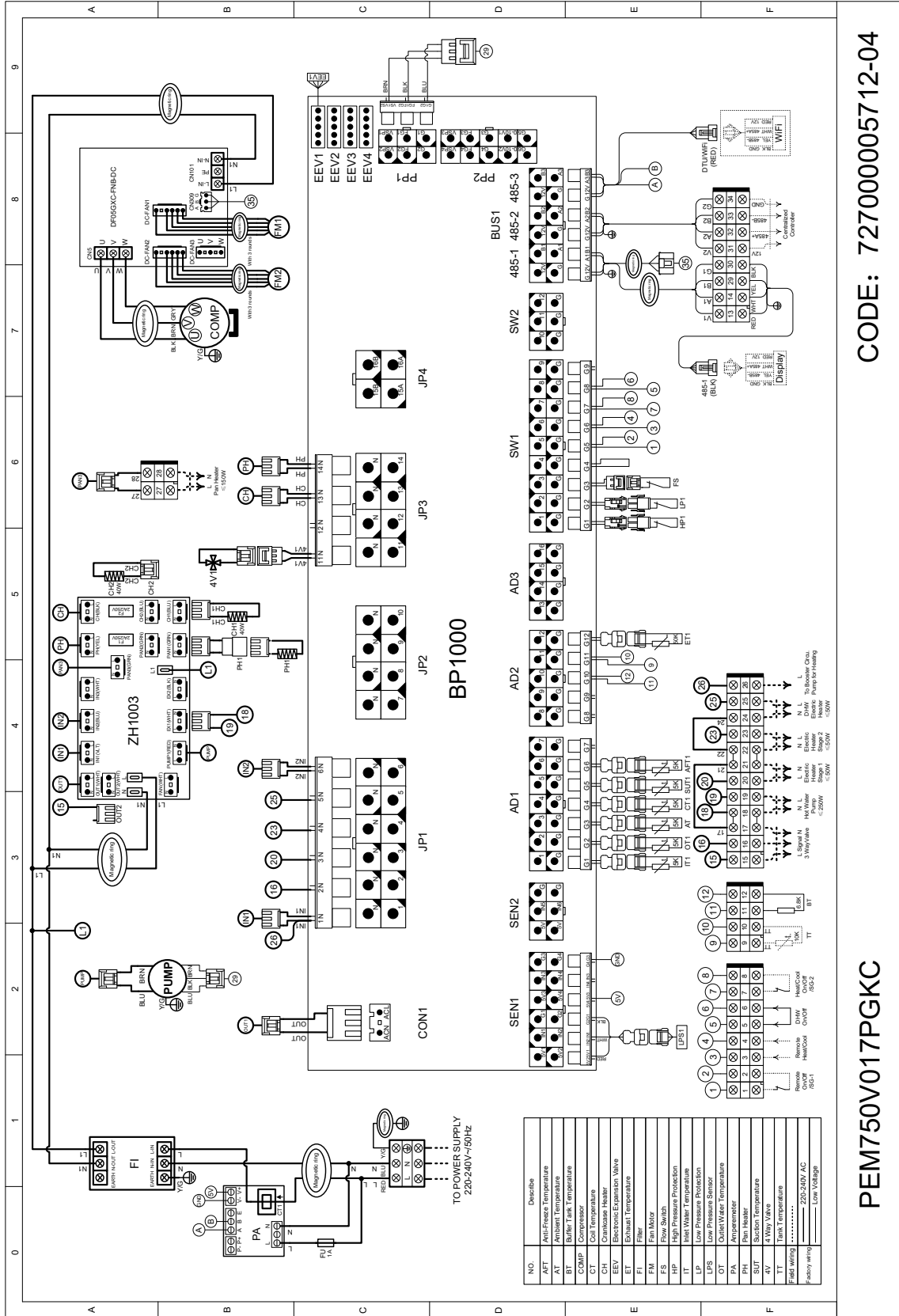
### 11.1.3 PEM750V010PGKC



CODE: 72700005710-05

PEM750V010PGKC

11.1.4 PEM750V017PGKC



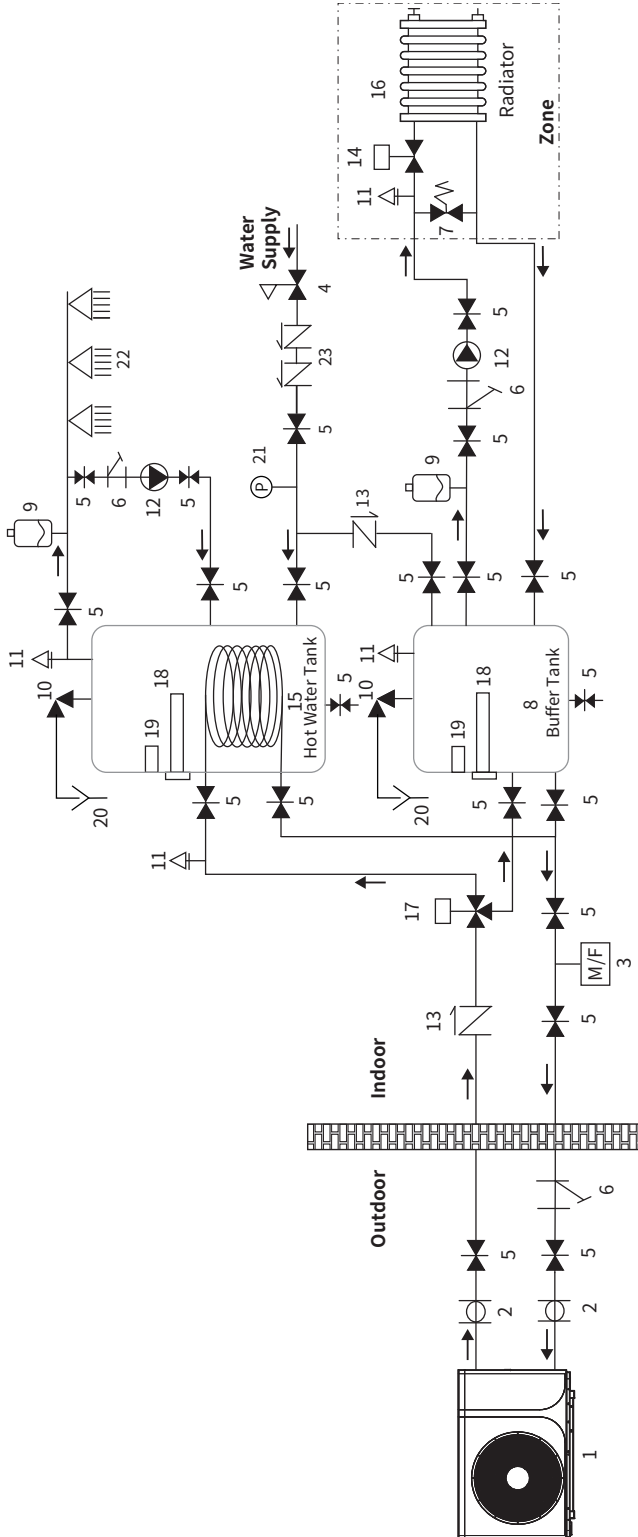
CODE: 72700005712-04

PEM750V017PGKC

## 11.2 Common Applications

### 11.2.1 Single Zone Radiators

**Note** The zone control must be used as a separate controller (not supplied with product).



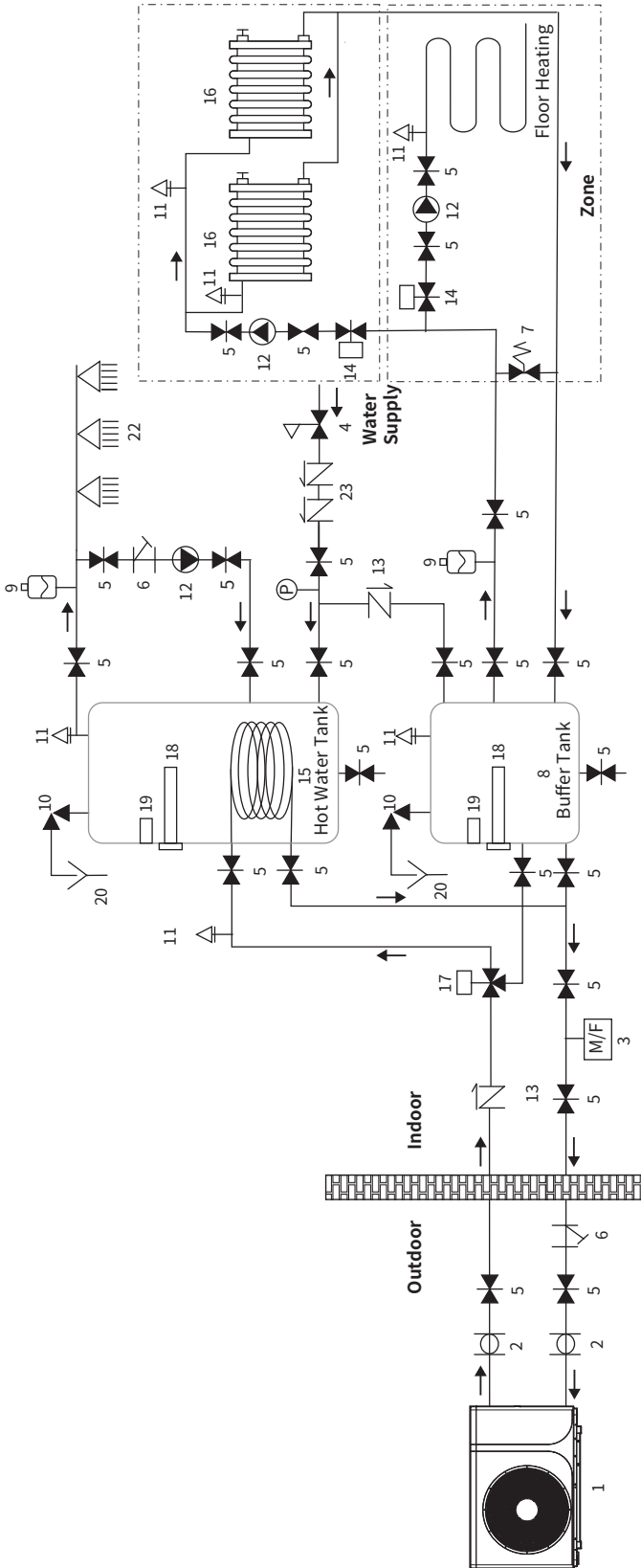
| #. | Description                 |
|----|-----------------------------|
| 13 | Check Valve                 |
| 14 | Valve for Heating           |
| 15 | Hot Water Tank              |
| 16 | Radiator                    |
| 17 | 3-Way Valve                 |
| 18 | Electric Heater             |
| 19 | Temperature Sensor          |
| 20 | Drain                       |
| 21 | Pressure Gauge              |
| 22 | Shower                      |
| 23 | Double Check Shut-off Valve |

| #. | Description             |
|----|-------------------------|
| 1  | Heat Pump               |
| 2  | Flexible Pipe           |
| 3  | Magnet Filter           |
| 4  | Pressure-reducing Valve |
| 5  | Shut-off Valve          |
| 6  | Y-Type Water Filter     |
| 7  | Automatic Bypass Valve  |
| 8  | Buffer Tank             |
| 9  | Expansion Tank          |
| 10 | Relief Valve            |
| 11 | Air Vent Valve          |
| 12 | Water Pump              |



### 11.2.3 2-Zone Floor Heating and Radiators

**Note** The zone control must be used as a separate controller (not supplied with product).

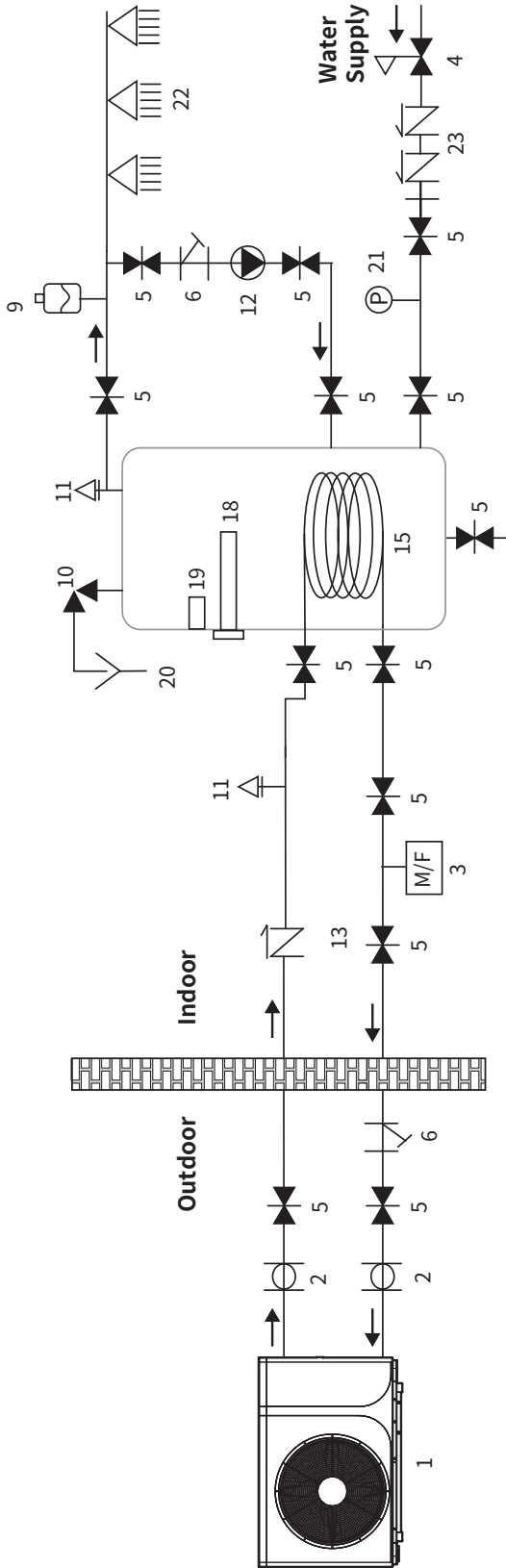


\* Zone control must be used as a separate controller (not supplied with product).

| #. | Description                 |
|----|-----------------------------|
| 13 | Check Valve                 |
| 14 | Valve for Heating           |
| 15 | Hot Water Tank              |
| 16 | Radiator                    |
| 17 | 3-Way Valve                 |
| 18 | Electric Heater             |
| 19 | Temperature Sensor          |
| 20 | Drain                       |
| 21 | Pressure Gauge              |
| 22 | Shower                      |
| 23 | Double Check Shut-off Valve |

| #. | Description             |
|----|-------------------------|
| 1  | Heat Pump               |
| 2  | Flexible Pipe           |
| 3  | Magnet Filter           |
| 4  | Pressure-reducing Valve |
| 5  | Shut-off Valve          |
| 6  | Y-Type Water Filter     |
| 7  | Automatic Bypass Valve  |
| 8  | Buffer Tank             |
| 9  | Expansion Tank          |
| 10 | Relief Valve            |
| 11 | Air Vent Valve          |
| 12 | Water Pump              |

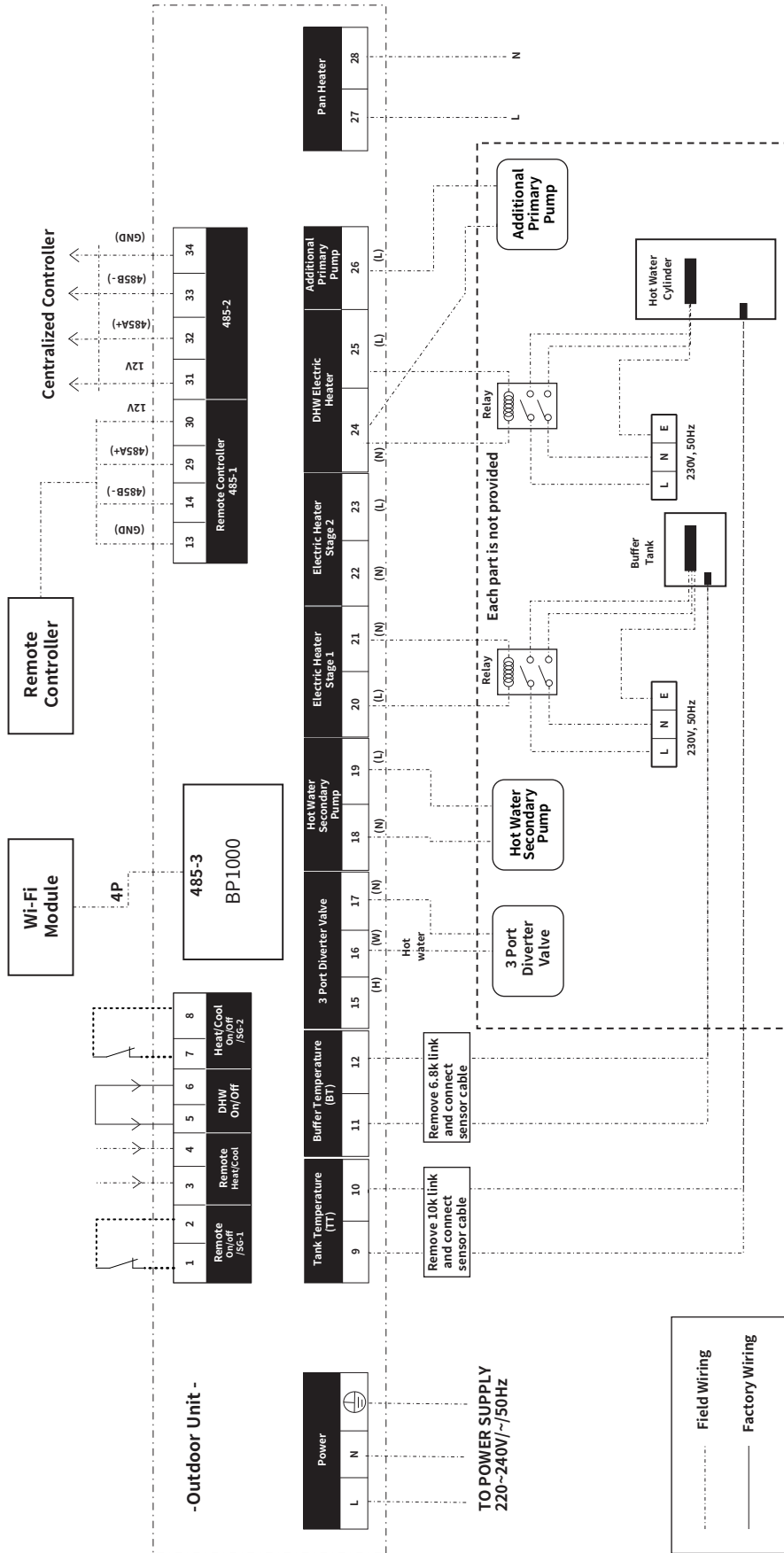
### 11.2.4 DHW Only



| #. | Description                 |
|----|-----------------------------|
| 13 | Check Valve                 |
| 14 | Valve for Heating           |
| 15 | Hot Water Tank              |
| 16 | Radiator                    |
| 17 | 3-Way Valve                 |
| 18 | Electric Heater             |
| 19 | Temperature Sensor          |
| 20 | Drain                       |
| 21 | Pressure Gauge              |
| 22 | Shower                      |
| 23 | Double Check Shut-off Valve |

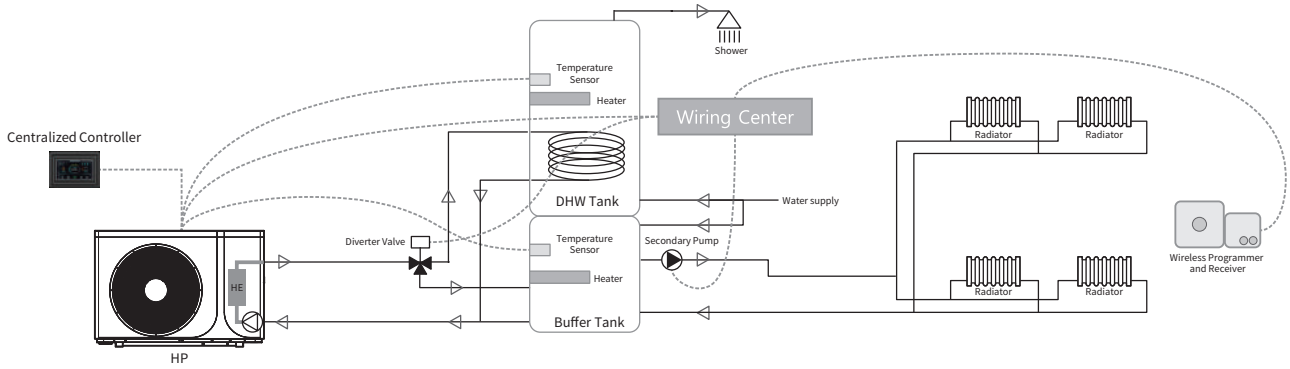
| #. | Description             |
|----|-------------------------|
| 1  | Heat Pump               |
| 2  | Flexible Pipe           |
| 3  | Magnet Filter           |
| 4  | Pressure-reducing Valve |
| 5  | Shut-off Valve          |
| 6  | Y-Type Water Filter     |
| 7  | Automatic Bypass Valve  |
| 8  | Buffer Tank             |
| 9  | Expansion Tank          |
| 10 | Relief Valve            |
| 11 | Air Vent Valve          |
| 12 | Water Pump              |

# 11.3 Field Wiring Diagram



## 11.4 Field Wiring Case

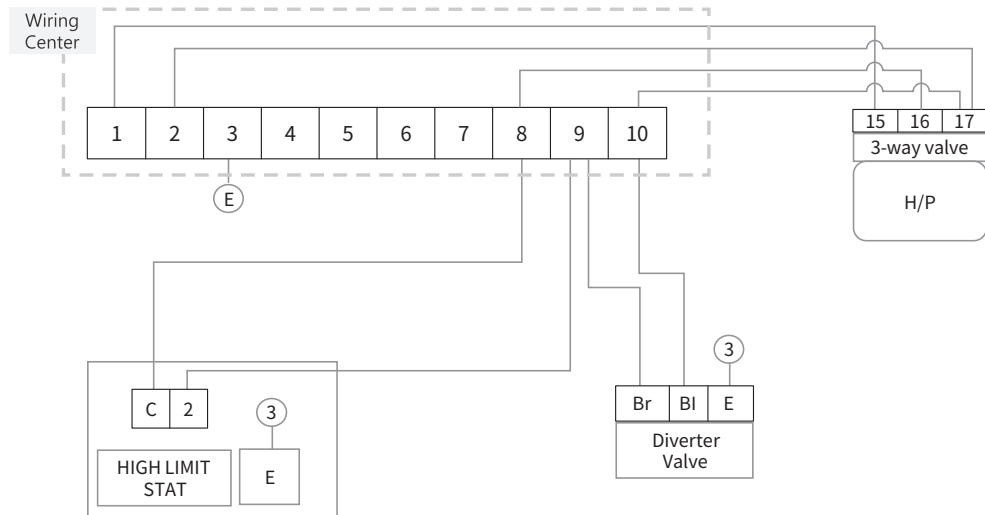
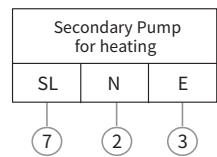
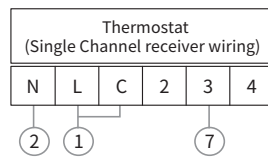
### Open Loop Heating Wiring Diagram with Wireless Programmer



\* The programmer will not be able to schedule hot water.

| KEY |        |
|-----|--------|
| Br  | BROWN  |
| O   | ORANGE |
| Bl  | BLUE   |
| G   | GRAY   |

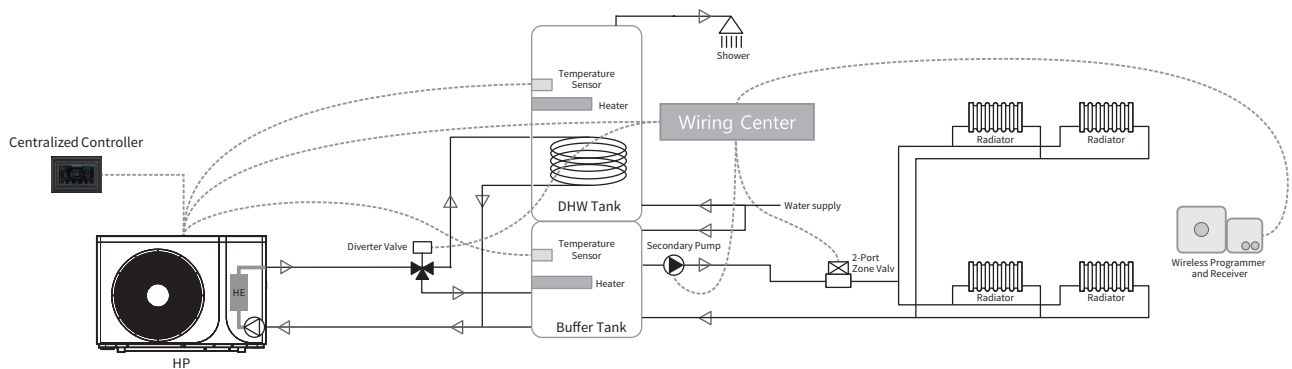
|   |   |         |
|---|---|---------|
| 1 | L | Live    |
| 2 | N | Neutral |
| 3 | E | Earth   |



\* Navien hold no responsibility for the wiring diagram above. The wiring diagram is for guideline only.

- Note**
- Terminal 16 supplies 230V in valve hot water mode, diverter valve is normally open to the heating circuit, and opens to hot water when brown is supplied with power.
  - Terminal block 15 of HP is permanent power supply.
  - Power supply is up to 200W.
  - When the heat pump is turned off, the secondary pump is also not supplied with power, making it safe to repair.

## 1-Heating Zone Wiring Diagram with Wireless Programmer



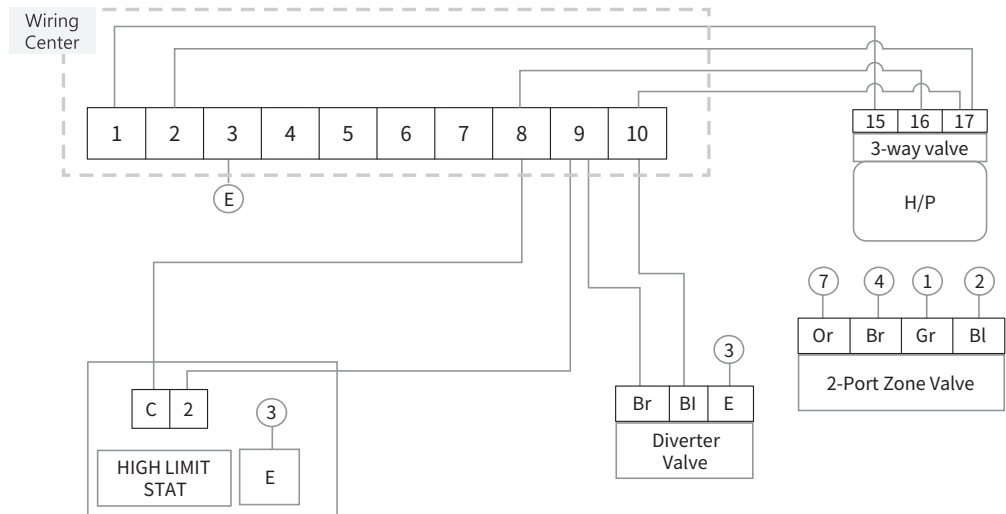
\* The programmer will not be able to schedule hot water.

| KEY |        |
|-----|--------|
| Br  | BROWN  |
| O   | ORANGE |
| Bl  | BLUE   |
| G   | GRAY   |

|   |   |         |
|---|---|---------|
| 1 | L | Live    |
| 2 | N | Neutral |
| 3 | E | Earth   |

| Thermostat<br>(Single Channel receiver wiring) |   |   |   |   |   |
|--|---|---|---|---|---|
| N  | L | C | 2 | 3 | 4 |
| 2  | 1 |   |   |   | 4 |

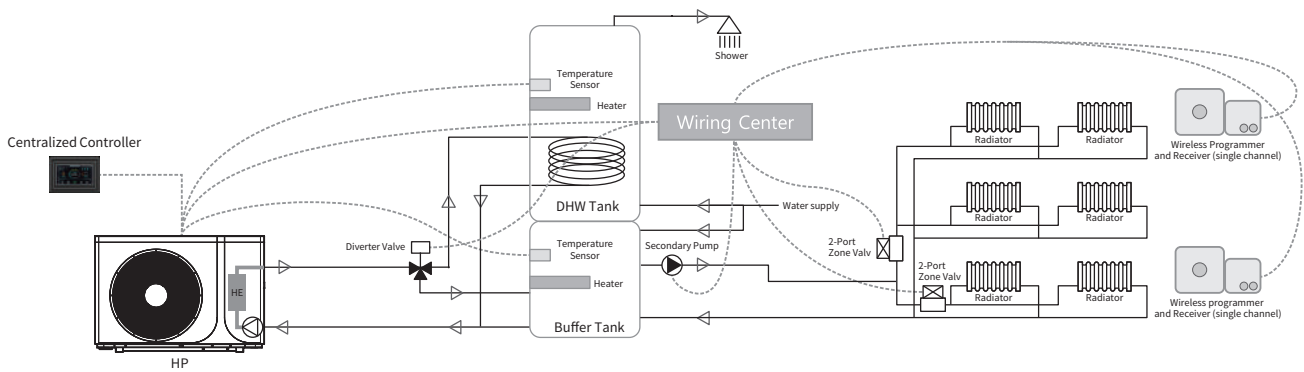
| Secondary Pump<br>for heating |   |   |
|-------------------------------|---|---|
| SL                            | N | E |
| 7                             | 2 | 3 |



\* Navien hold no responsibility for the wiring diagram above. The wiring diagram is for guideline only.

- Note**
- Terminal 16 supplies 230V in valve hot water mode, diverter valve is normally open to the heating circuit, and opens to hot water when brown is supplied with power.
  - Terminal block 15 of HP is permanent power supply.
  - Power supply is up to 200W.
  - When the heat pump is turned off, the secondary pump is also not supplied with power, making it safe to repair.

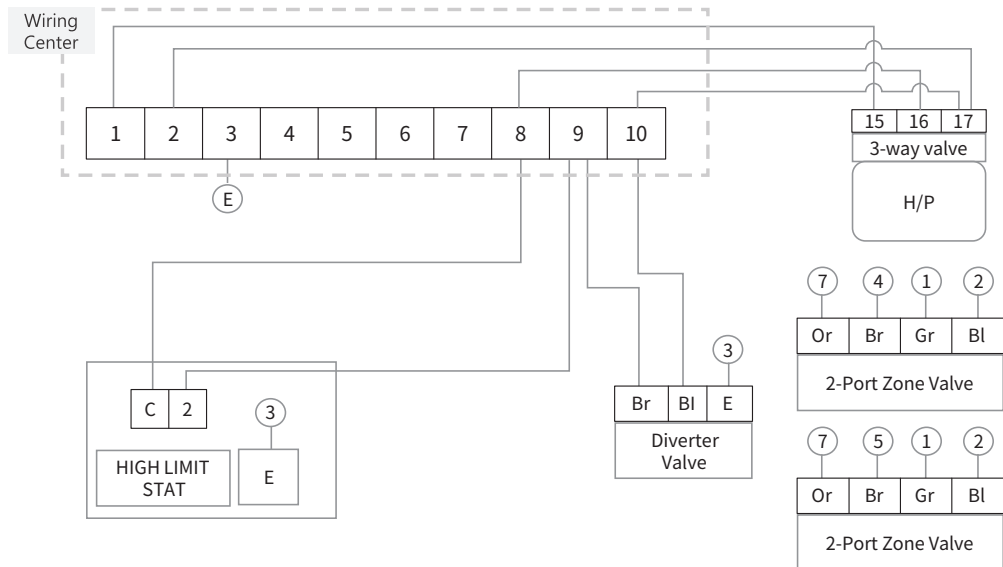
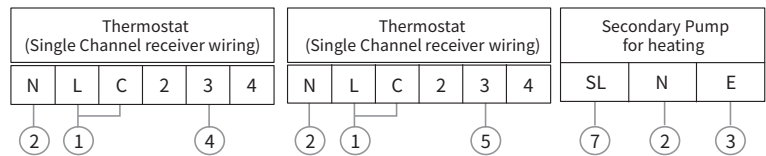
## 2-Heating Zone Wiring Diagram with Wireless Programmer



\* The programmer will not be able to schedule hot water.

| KEY |        |
|-----|--------|
| Br  | BROWN  |
| O   | ORANGE |
| Bl  | BLUE   |
| G   | GRAY   |

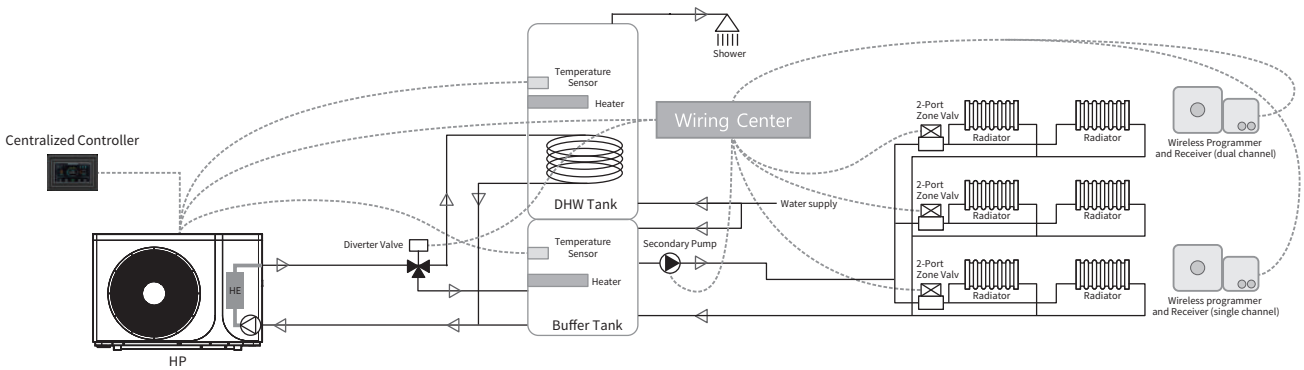
|   |   |         |
|---|---|---------|
| 1 | L | Live    |
| 2 | N | Neutral |
| 3 | E | Earth   |



\* Navien hold no responsibility for the wiring diagram above. The wiring diagram is for guideline only.

- Note**
- Terminal 16 supplies 230V in valve hot water mode, diverter valve is normally open to the heating circuit, and opens to hot water when brown is supplied with power.
  - Terminal block 15 of HP is permanent power supply.
  - Power supply is up to 200W.
  - When the heat pump is turned off, the secondary pump is also not supplied with power, making it safe to repair.

### 3-Heating Zone Wiring Diagram with Wireless Programmer

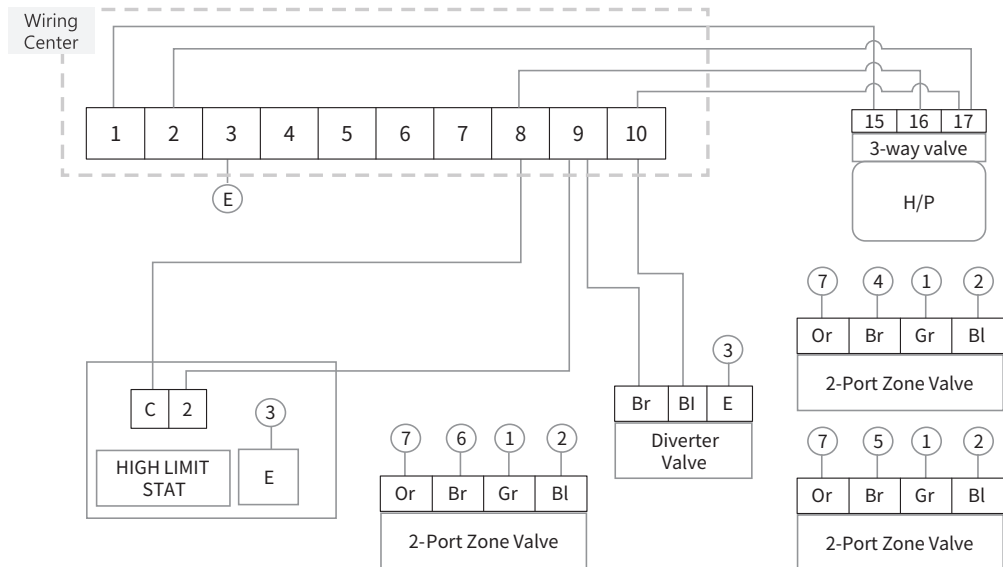


\* The programmer will not be able to schedule hot water.

| KEY |        |
|-----|--------|
| Br  | BROWN  |
| O   | ORANGE |
| Bl  | BLUE   |
| G   | GRAY   |

|   |   |         |
|---|---|---------|
| 1 | L | Live    |
| 2 | N | Neutral |
| 3 | E | Earth   |

| Thermostat (Dual Channel receiver wiring) |   |   |   |   |   | Thermostat (Single Channel receiver wiring) |   |   |   | Secondary Pump for heating |   |    |   |   |
|---|---|---|---|---|---|---|---|---|---|----------------------------|---|----|---|---|
| N   | L | 1 | 2 | 3 | 4 | N   | L | C | 2 | 3                          | 4 | SL | N | E |
| 2   | 1 |   |   |   |   | 2   | 1 |   |   |                            |   | 7  | 2 | 3 |



\* Navien hold no responsibility for the wiring diagram above. The wiring diagram is for guideline only.

- Note**
- Terminal 16 supplies 230V in valve hot water mode, diverter valve is normally open to the heating circuit, and opens to hot water when brown is supplied with power.
  - Terminal block 15 of HP is permanent power supply.
  - Power supply is up to 200W.
  - When the heat pump is turned off, the secondary pump is also not supplied with power, making it safe to repair.

## 12. Troubleshooting

### 12.1 Solving Problems

| Issue   | Possible Cause   | Related Components  | Solution  |
|---|--|---|---|
| Unit tripped when powered on  | Short circuit  | <ul style="list-style-type: none"> <li>Terminals</li> <li>Relays</li> <li>Contacts</li> <li>Cables</li> </ul>                       | <ul style="list-style-type: none"> <li>Check all the components' connection.</li> <li>Check whether relays or contacts are damaged.</li> <li>Component - Resistance to short test required.</li> </ul>                        |
| Display does not receive power  | <ul style="list-style-type: none"> <li>Cables have been disconnected.</li> <li>The power input cable is mis-connected.</li> </ul>                                      | <ul style="list-style-type: none"> <li>Display cable</li> <li>Power input cable</li> </ul>  | <ul style="list-style-type: none"> <li>Check the display cable.</li> <li>Check the power cable.</li> <li>Check whether the 3-phase power cable is connected in the right phase sequence.</li> </ul>                           |
| Unit does not start.  | <ul style="list-style-type: none"> <li>The unit has an error.</li> <li>Cables have been disconnected.</li> </ul>   | <ul style="list-style-type: none"> <li>Display</li> <li>Cables</li> </ul>   | <ul style="list-style-type: none"> <li>Check whether the display shows an error.</li> <li>Check the cable.</li> <li>Reconnect the power cable and check if it operates properly.</li> </ul>                                   |
| Display does not work.  | <ul style="list-style-type: none"> <li>The display has been locked.</li> <li>The display is broken.</li> </ul>   | <ul style="list-style-type: none"> <li>Display</li> </ul>   | <ul style="list-style-type: none"> <li>Check whether the displayed icon is locked.</li> <li>Check the cable.</li> <li>Reconnect the power cable and check if operates properly.</li> </ul>                                    |
| Heating performance is poor.  | <ul style="list-style-type: none"> <li>The compressor is running at low frequency.</li> <li>The fan is not running or is too slow.</li> <li>Leakage problem</li> </ul> | <ul style="list-style-type: none"> <li>Compressor</li> <li>Fan</li> <li>Refrigerant system</li> </ul>                               | <ul style="list-style-type: none"> <li>Check the compressor frequency.</li> <li>Check the fan speed.</li> <li>Check the exhaust temperature, and check for low pressure.</li> </ul>   |
| The target temperature is not reached                                       | <ul style="list-style-type: none"> <li>Temperature limit (according to the ambient temperature)</li> </ul>   | Control logic   | <ul style="list-style-type: none"> <li>Check the parameters.</li> </ul>   |
| The evaporator has accumulated excessive frost and cannot defrost properly. | <ul style="list-style-type: none"> <li>Fan blade or motor issue</li> <li>EEV step is unsuitable</li> <li>Refrigerant amount</li> <li>Parameter issue</li> </ul>        | <ul style="list-style-type: none"> <li>Parameters</li> <li>Fan</li> <li>EEV</li> <li>Refrigerant system</li> </ul>                  | <ul style="list-style-type: none"> <li>Check the defrosting parameters.</li> <li>Check the compressor frequency.</li> <li>Check the fan speed.</li> <li>Check the exhaust temperature, and check for low pressure.</li> </ul> |
| Abnormal noise  | <ul style="list-style-type: none"> <li>Screw issue</li> <li>Fan blade or motor issue</li> <li>Compressor issue</li> <li>Component collision</li> </ul>                 | <ul style="list-style-type: none"> <li>Screws</li> <li>Fan</li> <li>Compressor</li> <li>Other components (tubes, cables)</li> </ul> | <ul style="list-style-type: none"> <li>Check the screws.</li> <li>Check the fan blade and motor.</li> <li>Check the compressor.</li> <li>Check other components.</li> </ul>   |

## 12.2 Understanding Error Codes

| Error Code | Error Name   | Related Components   | Solution  |
|------------|--|--|---|
| E04        | Electric heater overheating protection                 |  | <ul style="list-style-type: none"> <li>Check whether the electrical heating overheat protector is open or not.</li> <li>Check the electric heater.</li> </ul>   |
| E08        | Communication failure between the PCB and display      | Communication error between the PCB and display  | <ul style="list-style-type: none"> <li>Check the PCB and display's cable connection.</li> <li>Check the software version of PCB and display.</li> </ul>   |
| E11        | HP protection  | HP switch is open  | <ul style="list-style-type: none"> <li>Check if the error is shown after unit shutdown.</li> <li>Measure the discharge pressure when the unit is running.</li> <li>Detect EEV step, suction pressure, inlet/outlet water discharge, and suction temperature.</li> <li>Release all the system's gas and refill refrigerant according to the nameplate.</li> </ul>      |
| E12        | LP protection  | LP switch is open  | <ul style="list-style-type: none"> <li>Check whether the error is shown after unit shutdown.</li> <li>Measure the suction pressure when the unit is running.</li> <li>Detect EEV step, discharge pressure, inlet/outlet water discharge, and suction temperature.</li> <li>Release all the system's gas and refill refrigerant according to the nameplate.</li> </ul> |
| E19        | Primary antifreeze protection                          | Ambient temp. $\leq 0^{\circ}\text{C}$ ,<br>A04- $2^{\circ}\text{C}$<br>$\leq$ water inlet $\leq$ A04- $4^{\circ}\text{C}$ | <ul style="list-style-type: none"> <li>For winter protection. Once the water temperature rises to A04+<math>4^{\circ}\text{C}</math> or the ambient temp is higher than 1, the error code will disappear.</li> </ul>  |
| E29        | Secondary antifreeze protection                        | Ambient temp. $\leq 0^{\circ}\text{C}$ ,<br>water inlet $\leq$ A04- $2^{\circ}\text{C}$                                    | <ul style="list-style-type: none"> <li>For winter protection, once the water temperature rises to A04+<math>11^{\circ}\text{C}</math> or the ambient temp is higher than 1, the error code will disappear.</li> </ul>   |
| E19        | Primary antifreeze protection                          | Ambient temp. $\leq 0^{\circ}\text{C}$ ,<br>$2^{\circ}\text{C} \leq$ water inlet $\leq 4^{\circ}\text{C}$                  | <ul style="list-style-type: none"> <li>For winter protection, once the water temperature rises to <math>8^{\circ}\text{C}</math> or the ambient temp is higher than <math>1^{\circ}\text{C}</math>, the error code will disappear.</li> </ul>   |
| E29        | Secondary antifreeze protection                        | Ambient temp. $\leq 0^{\circ}\text{C}$ ,<br>water inlet $\leq 2^{\circ}\text{C}$   | <ul style="list-style-type: none"> <li>For winter protection, once the water temperature rises to <math>15^{\circ}\text{C}</math> or the ambient temp is higher than <math>1^{\circ}\text{C}</math>, the error code will disappear.</li> </ul>  |
| E032       | Flow switch protection                                 | Flow switch is open  | <ul style="list-style-type: none"> <li>Check the cable connections.</li> <li>Check the flow switch.</li> <li>Check whether the water valve is opened fully or otherwise open.</li> <li>Check the water pump and filter.</li> <li>Check if there is any air in the water route.</li> </ul>   |
| E051       | Compressor overcurrent shutdown error                  | Compressor overcurrent   | <ul style="list-style-type: none"> <li>Check ambient temperature and inlet/outlet water temperature.</li> <li>Turn on the unit. Record and analyze the high/low pressure charging process, the discharge/suction temperature, the EEV step, the compressor frequency, and the running current. If they are okay, replace a new compressor driver board.</li> </ul>    |
| E065       | High water outlet temp. protection                     | -  | <ul style="list-style-type: none"> <li>Check whether the water flow is too low or the outlet water too high.</li> </ul>   |
| E081       | Communication failure between PCB and fan driver board | Communication error between the PCB and fan driver board   | <ul style="list-style-type: none"> <li>Check the connection between the PCB and fan board. All of the 12V-12V, GND-GND, A-A, B-B connection should be closed.</li> <li>If they are closed, turn on the power, then measure the voltage between 12V and GND on the fan board, and if it is higher than 15V or lower than 7V, replace the fan board.</li> </ul>         |

| Error Code | Error Name  | Related Components  | Solution   |
|------------|---|---|--|
| E103       | Fan motor overload protection                           | -   | <ul style="list-style-type: none"> <li>• Check if the fan motor is running properly.</li> <li>• Check the fan motor's current. <ul style="list-style-type: none"> <li>- If the current is more than 1A, it means the motor has a problem and needs to be replaced.</li> <li>- If the current is less than 1A, it means the motor control module has a problem and needs to be replaced.</li> </ul> </li> </ul> |
| E171       | Anti-freeze protection                                  | Inlet water $\leq A04^{\circ}C$ and the antifreeze temp $\leq A04-A05^{\circ}C$ | <ul style="list-style-type: none"> <li>• Check the water flow.</li> <li>• Check the outlet water temp sensor.</li> <li>• Check the ambient temperature.</li> <li>• Check the cable connections.</li> <li>• Check the defrosting history, looking for whether the time to defrost is too long or defrosting is being used too often.</li> </ul>   |
| F01        | Compressor activation failure                           | -   | <ul style="list-style-type: none"> <li>• Restart the unit.</li> <li>• Check the changing process of the EEV step, the pressure, and the inlet/outlet water temperature.</li> <li>• Check the U/V/W connection between the compressor and compressor driver board.</li> <li>• Check the compressor resistance.</li> <li>• Check compressor driver board.</li> </ul>   |
| F03        | PFC error   | -   | <ul style="list-style-type: none"> <li>• Restart the unit.</li> <li>• Check whether the power supply connection and voltage supply is stable or not.</li> <li>• Replace the compressor driver board.</li> </ul>  |
| F05        | DC bus overvoltage                                      | -   | <ul style="list-style-type: none"> <li>• Check the voltage between the DCP-IN and DCN-IN. If it is lower than 300V, the unit will receive protection.</li> <li>• Check the R/S/T input voltage on the compressor driver board. If it is lower than 210V, the unit will receive protection. If it is okay, replace the compressor driver board.</li> </ul>  |
| F06        | DC bus undervoltage                                     | -   | <ul style="list-style-type: none"> <li>• Check the voltage between the DCP-IN and DCN-IN. If it is lower than 300V, it will receive protection.</li> <li>• Check the R/S/T input voltage on the compressor driver board. If it is lower than 210V, it will receive protection. If it is okay, replace the compressor driver board.</li> </ul>  |
| F07        | AC input undervoltage                                   | -   | <ul style="list-style-type: none"> <li>• Measure the input voltage of R/S/T of driver board, if lower than 300V, it will get this protection. If it is okay, replace the compressor driver board.</li> </ul>   |
| F08        | AC input overcurrent                                    | -   | <ul style="list-style-type: none"> <li>• Only in single phase units.</li> <li>• Restart the unit.</li> <li>• Check if there is electric leakage. If not, replace the driver board.</li> </ul>  |
| F09        | Input voltage sampling error                            | -   | <ul style="list-style-type: none"> <li>• Make sure power supply is not lower than 300V or higher than 500V. If it is okay, replace the compressor driver board.</li> </ul>   |
| F10        | Communication failure between DSP and PFC               | -   | <ul style="list-style-type: none"> <li>• Only in single phase units.</li> <li>• Check the inverter board connection. If everything is OK, please replace the compressor driver board.</li> </ul>   |
| F11        | Communication error between DSP and Communication board | -   | <ul style="list-style-type: none"> <li>• Check the inverter board connection. If it is okay, replace the compressor driver board.</li> </ul>   |

| Error Code | Error Name   | Related Components | Solution   |
|------------|--|--------------------|--|
| F12        | Communication failure between the PCB and driver board | -                  | <ul style="list-style-type: none"> <li>• Check the connection between the main control board and compressor driver board. All of the 12V-12V, GND-GND, A-A, B-B &lt;word&gt; should be closed.</li> <li>• If they are closed, turn on the power, then measure the voltage between the 12V and GND on the compressor driver board. If it is higher than 15V or lower than 7V, replace the compressor driver board.</li> </ul> |
| F13        | IPM overheating stop                                   | -                  | <ul style="list-style-type: none"> <li>• Check if the fans are running or not.</li> <li>• Check the installation's distance and space.</li> <li>• Leave enough distance and space for the heat pump to have good conditions for transferring heat.</li> <li>• Clean the finned heat exchanger.</li> </ul>  |
| F15        | Input voltage lacking phase                            | -                  | <ul style="list-style-type: none"> <li>• Check the phase of the R/S/T power supply to the compressor driver board. If it is okay, replace the compressor driver board.</li> </ul>  |
| F16        | Compressor has weak magnetic protection alarm          | -                  | <ul style="list-style-type: none"> <li>• Check the refrigeration system. If it is okay, replace the compressor driver board.</li> </ul>  |
| F17        | Drive board temperature error                          | -                  | <ul style="list-style-type: none"> <li>• Check the heat sink temp. sensor's connection.</li> <li>• Check the heat sink temp. sensor's resistance.</li> </ul>   |
| F18        | IPM current sampling error                             | -                  | <ul style="list-style-type: none"> <li>• Check ambient temperature. and inlet/outlet water temperature.</li> <li>• Check the high/low pressure and the discharge temperature and suction temperature.</li> <li>• Check the EEV step.</li> <li>• Check the compressor frequency and current.</li> </ul>   |
| F20        | IGBT power device overheating alarm                    | -                  | <ul style="list-style-type: none"> <li>• Check if the fans are running or not.</li> <li>• Check the installation distance and space.</li> <li>• If they are OK, replace the compressor driver board.</li> <li>• Leave enough distance and space for the heat pump to have good conditions for transferring heat.</li> <li>• Check if clean air is provided to the finned heat exchanger.</li> </ul>                          |
| F22        | AC input over current protection alarm                 | -                  | <ul style="list-style-type: none"> <li>• Only in single phase unit.</li> <li>• Restart the unit.</li> <li>• Check if there is electric leakage.</li> <li>• If the problem persists, replace the driver board.</li> </ul>   |
| F23        | EEPROM fault alarm                                     | -                  | <ul style="list-style-type: none"> <li>• Check the connection.</li> <li>• Replace the driver board.</li> </ul>   |
| F24        | Broken EEPROM activation ban alarm                     | -                  |  |
| F25        | LP 15V underload error                                 | -                  | <ul style="list-style-type: none"> <li>• Check if the power supply is stable or not, and restart unit.</li> <li>• If the problem persists, replace the driver board.</li> </ul>  |
| F26        | IGBT power device overheat error                       | -                  | <ul style="list-style-type: none"> <li>• Check if the fans are running or not.</li> <li>• Check the installation distance and space.</li> <li>• Leave enough distance and space for the heat pump to have good conditions for transferring heat.</li> <li>• Clean the finned heat exchanger.</li> </ul>  |

| Error Code | Error Name                        | Related Components                     | Solution   |
|------------|-----------------------------------|--|--|
| F031       | DC fan motor 1 failure            | -                                      | <ul style="list-style-type: none"> <li>Turn off the unit and check the connection.</li> <li>Restart and check if the motor is running normally or if the error happens again.</li> <li>Replace the motor.</li> </ul> |
| F032       | DC fan motor 2 failure            | -                                      |  |
| Pp1        | Exhaust pressure sensor error     | -                                      | <ul style="list-style-type: none"> <li>Check the exhaust pressure sensor connection.</li> <li>If the connection is okay, replace the pressure sensor.</li> </ul>   |
| Pp2        | Suction pressure sensor error     | -                                      | <ul style="list-style-type: none"> <li>Check the suction pressure sensor connection.</li> <li>If the connection is okay, replace the pressure sensor.</li> </ul>   |
| TP         | Low ambient temp. protection      | Ambient temp $\leq$ -30                | <ul style="list-style-type: none"> <li>Check the ambient temperature.</li> <li>When the ambient temp is -28°C or higher, the fault will disappear.</li> </ul>  |
| P01        | Water inlet temp. sensor error    | -                                      | <ul style="list-style-type: none"> <li>Check the connection.</li> <li>Measure the resistance of the sensor. If it is lower than 100Ω or higher than 500kΩ, replace it.</li> </ul>                                    |
| P02        | Water outlet temp. sensor error   | -                                      |  |
| P04        | Ambient temp. sensor error        | -                                      |  |
| P17        | Water outlet temp. sensor error   | -                                      |  |
| P032       | Hot water tank temp. sensor error | -                                      |  |
| P42        | Room temp. sensor error           | -                                      |  |
| P101       | EVI inlet temp. sensor error      | -                                      |  |
| P102       | EVI outlet temp. sensor error     | -                                      |  |
| P153       | Coil temp. sensor error           | -                                      |  |
| P181       | Exhaust temp. sensor error        | -                                      |  |
| P182       | Exhaust over temp.                | (Exhaust temp.) $\geq$ C05 default 110 |  |
| P191       | Antifreeze temp. sensor error     | -                                      | <ul style="list-style-type: none"> <li>Check the connection.</li> <li>Measure the resistance of the sensor. If it is lower than 100Ω or higher than 500kΩ, replace it.</li> </ul>                                    |

### 12.3 Parameter List

| Items                        | Default | Remarks    |
|------------------------------|---------|------------|
| Cooling temperature          | 12°C    | Adjustable |
| Heating temperature          | 45°C    | Adjustable |
| Hot water target temperature | 55°C    | Adjustable |

# Warranty

## Up To 7 Years Warranty

All Navien Air-to-Water Heat pumps warranty, offer customers the parts and labour with up to 7 years.\*

Warranty registration must be completed within 30 days of installation.

\* Terms and conditions apply, visit [www.navien.co.uk](http://www.navien.co.uk).

## Warranty Registration

Register the Navien Air-to-Water heat pump on the Navien Installers Warranty App.



[Google Play]



[App Store]

## Warranty Conditions\*

- The installation should be used solely for the purposes it was designed for.
- The heat pump must be installed and commissioned by a suitably qualified and trained installer in accordance with the installation manual as well as prevailing building control regulations and MCS standards.
- Warranty registration must be completed within 30 days of installation.
- The Benchmark commissioning checklist must be completed during the commissioning.
- The annual service must be carried out by a suitably competent engineer with relevant valid certification.
- The Warranty does not cover issues related to unsuitable installation, design and accidental damage caused by negligence.

\* Terms and Conditions apply, visit [www.navien.co.uk](http://www.navien.co.uk)

## Annual Service

The heat pump must be serviced annually by a suitably qualified and competent engineer to meet the requirements of the warranty. The service record of the Benchmark commissioning checklist must be completed for each service. Proof of servicing must be retained for inspection by the engineer prior to any warranty work. The cost of this annual service is not included in the warranty.

## Preventative Maintenance

The optimal heat pump performance is achieved not only through correct system design, installation but also regular servicing and preventative maintenance checks.

The preventative maintenance does not necessarily need to be performed by a specialist, however, observe the basic safety rules which disconnect the unit from the power supply.

- Heat pump outdoor units should be checked to ensure the airflow through them is not impeded in anyway by the build-up of matter blown in by the wind (e.g. leaves and general debris) or from the growth of vegetation.
- The heat pump may get dirty due to general bad weather or build-up of dirt or dust. To keep the unit clean, use warm water and a clean soft cloth to wipe down the outer casing of the unit.

## User Operation Guide

User should be informed by the installer how to operate and maintain the heat pump.

| Checklist  | √ |
|--|---|
| How to operate the heating system and draw the user's attention to any safety relevant action.   |   |
| Modifications and repairs must only be carried out by a suitably competent engineer.   |   |
| Safe and environmentally compatible operation requires inspection at least once a year and proper cleaning and maintenance.  |   |
| Point out the possible consequences (personal injury, including danger to life or material damage) of non-existent or improper inspection, cleaning and maintenance. |   |
| Leave the installation instructions and the operating instructions with the user for safekeeping.  |   |

## Customer Support

Navien endeavours to work with customers in order to ensure that customers have the right support when it is needed. For all enquiries, including warranty registrations, service and technical advice, please contact Navien Customer Service 0344 332 2323 or visit Navien website: [www.navien.co.uk](http://www.navien.co.uk).

# Benchmark Commissioning & Warranty Validation Service Record

It is a requirement that the heat pump is installed and commissioned to the manufacturers' instructions and the data fields on the commissioning checklist completed in full.

To instigate the warranty the heat pump needs to be registered with the manufacturer within one month of the installation. The warranty rests with the end-user (consumer), and they should be made aware it is ultimately their responsibility to register with the manufacturer, within the allotted time period.

It is essential that the heat pump is serviced in line with the manufacturers' recommendations, at least annually. This must be carried out by a competent, certified operative. The service details should be recorded on the Benchmark Service and Interim Heat Pump Work Record and left with the householder. Failure to comply with the manufacturers' servicing instructions and requirements will invalidate the warranty.



[www.hhic.co.uk](http://www.hhic.co.uk)

**This Commissioning Checklist is to be completed in full by the competent person who commissioned the heat pump and associated equipment as a means of demonstrating compliance with the appropriate Building Regulations and then handed to the customer to keep for future reference.**

Failure to install and commission according to the manufacturers' instructions and complete this Benchmark Commissioning Checklist will invalidate the warranty. This does not affect the customer's statutory rights.

\* All installations in England and Wales must be notified to Local Authority Building Control (LABC) either directly or through a Competent Persons Scheme. A Building Regulations Compliance Certificate will then be issued to the customer.

© Heating and Hotwater Industry Council (HHIC)



[www.hhic.org.uk](http://www.hhic.org.uk)  
Issue date: 20.08.2020

# AIR TO WATER HEAT PUMP COMMISSIONING CHECKLIST

|   |  |  |  |  |  |  |                 |     |                               |                     |               |  |
|---|--|--|--|--|--|--|-----------------|-----|-------------------------------|---------------------|---------------|--|
| Address:  |  |  |  |  |  |  |                 |     |                               |                     |               |  |
| Heat Pump make and model:   |  |  |  |  |  |  |                 |     |                               |                     |               |  |
| Heat Pump serial number:  |  |  |  |  |  |  |                 |     |                               |                     |               |  |
| Commissioned by (PRINT NAME):   |  |  |  |  |  | Certified Operative Reg number (1):              |                 |     |                               |                     |               |  |
| Company name:   |  |  |  |  |  | Telephone number:                                |                 |     |                               |                     |               |  |
| Company email:  |  |  |  |  |  | Company address:                                 |                 |     |                               |                     |               |  |
|   |  |  |  |  |  |  |                 |     |                               | Commissioning date: |               |  |
| Heating and hot water system complies with the appropriate Building Regulations?                                  |  |  |  |  |  |  |                 |     |                               | Yes                 |               |  |
| DNO notification?   |  |  |  |  |  |  |                 |     |                               | Yes                 |               |  |
| Building Regulations Notification Number (if applicable) (2)  |  |  |  |  |  |  |                 |     |                               |                     |               |  |
| MCS installer registration Number (if applicable)   |  |  |  |  |  | MCS product certification number (if applicable) |                 |     |                               |                     |               |  |
| F-gas certification number (split heat pump only)   |  |  |  |  |  |  |                 |     |                               |                     |               |  |
| G3 certification number (if applicable)   |  |  |  |  |  |  |                 |     |                               |                     |               |  |
| Heat Pump Type (Tick)   |  |  | Split                                    |  |  | Monoblock  |                 |     | Peak heat loss of building kW |                     |               |  |
| Is Heat Pump Installed as part of a cascade?  |  |  | Yes                                      |  |  | Cascade Heat Pump Series                         |                 |     | ( ) of ( )                    |                     |               |  |
| Heat Pump Refrigerant Type  |  |  |  |  |  | Refrigerant weight (total)                       |                 |     | kg                            |                     |               |  |
| <b>Electrical and Hydronic Controls – SYSTEM AND HEAT PUMP (Tick the appropriate boxes)</b>                       |  |  |  |  |  |  |                 |     |                               |                     |               |  |
| Time and temperature control to heating   |  |  | Room thermostat and programmer/timer     |  |  | Programmable Roomstat                            |                 |     |                               |                     |               |  |
|   |  |  | Load/weather compensation                |  |  | Optimum start control                            |                 |     |                               |                     |               |  |
| Time and temperature control to hot water   |  |  | Cylinder thermostat and programmer/timer |  |  | Combined with Heat pump main controls            |                 |     |                               |                     |               |  |
| Hybrid system – synchronised control of boiler and heat pump fitted   |  |  |  |  |  | Yes  |                 |     |                               |                     |               |  |
| If Yes – boiler model switching point – (Quote Tariff or Temperature Level)                                       |  |  |  |  |  |  |                 |     |                               |                     |               |  |
| Heating zone valves (including underfloor loops)  |  |  | pre-existing                             |  |  | Fitted   |                 |     | Not required                  |                     |               |  |
| Hot water zone valves   |  |  | pre-existing                             |  |  | Fitted   |                 |     | Not required                  |                     |               |  |
| Thermostatic radiator valves  |  |  | pre-existing                             |  |  | Fitted   |                 |     | Not required                  |                     |               |  |
| Outdoor Sensor  |  |  | pre-existing                             |  |  | Fitted   |                 |     | Not required                  |                     |               |  |
| Heat Pump Safety Interlock (3)  |  |  | pre-existing                             |  |  | Fitted   |                 |     | Not required                  |                     |               |  |
| Automatic bypass to system  |  |  | pre-existing                             |  |  | Fitted   |                 |     | Not required                  |                     |               |  |
| Buffer Vessel Fitted  |  |  | Yes                                      |  | No   |  | If yes          |     | volume:                       |                     | Litres        |  |
| Plate Heat Exchanger fitted to give hydronic separation of the heat pump circuit to the heating circuit           |  |  |  |  |  | Yes  |                 | No  |                               |                     |               |  |
| Expansion vessel for heating is sized, fitted & charged in accordance with manufacturer's instructions            |  |  |  |  |  | Yes  |                 | No  |                               |                     |               |  |
| Legionella protection for stored hot water provided by timed temperature control?                                 |  |  |  |  |  | Yes  |                 | No  |                               |                     |               |  |
| <b>Water Treatment – SYSTEM AND HEAT PUMP (Tick the appropriate boxes/Measure and Record)</b>                     |  |  |  |  |  |  |                 |     |                               |                     |               |  |
| System has been cleaned and treated in accordance with BS 7593:2019 and heat pump manufacturers' instructions?    |  |  |  |  |  | Yes  |                 | No  |                               |                     |               |  |
| What system cleaner was used?   |  |  | Brand:                                   |  |  | Product:   |                 |     |                               |                     |               |  |
| What heating system inhibitor was used?   |  |  | Brand:                                   |  |  | Product:   |                 |     |                               |                     |               |  |
| What heat pump system anti-freeze/inhibitor was used? (monoblock only)  |  |  | Brand:                                   |  | Product:                                       |  | % concentration |     |                               |                     |               |  |
| System filter fitted in accordance with BS7593 : 2019?  |  |  |  |  |  | Yes  |                 | No  |                               |                     |               |  |
| <b>Heat Pump outdoor unit (Tick the appropriate boxes/Measure and Record)</b>                                     |  |  |  |  |  |  |                 |     |                               |                     |               |  |
| Is the heating system adequately frost protected and pipes insulated to prevent heat loss?                        |  |  |  |  |  | Yes  |                 | No  |                               |                     |               |  |
| Split only: The refrigerant circuit has been evacuated and charged in accordance with manufacturer's instructions |  |  |  |  |  | Yes  |                 | No  |                               |                     |               |  |
| The heat pump is fitted on a solid/stable surface capable of taking its weight                                    |  |  |  |  |  | Yes  |                 | No  |                               |                     |               |  |
| The necessary heat pump defrost provision been put in place   |  |  |  |  |  | Yes  |                 | No  |                               |                     |               |  |
| The heat pump fan free from obstacles and operational   |  |  |  |  |  | Yes  |                 | No  |                               |                     |               |  |
| Condensate drain installed to manufacturer's instructions   |  |  |  |  |  | Yes  |                 | No  |                               |                     |               |  |
| <b>CENTRAL HEATING MODE (Tick the appropriate boxes/Measure and Record)</b>                                       |  |  |  |  |  |  |                 |     |                               |                     |               |  |
| The heating system has been filled and pressure tested  |  |  |  |  |  | Yes  |                 | No  |                               |                     |               |  |
| Heating Flow Temperature  |  |  | °C                                       |  | Heating Return Temperature                     |  |                 | °C  |                               |                     |               |  |
| System correctly balance/rebalanced   |  |  |  |  |  | Yes  |                 | No  |                               |                     |               |  |
| <b>DOMESTIC HOT WATER MODE (Tick the appropriate boxes)</b>   |  |  |  |  |  |  |                 |     |                               |                     |               |  |
| Is the heat pump connected to a hot water cylinder?   |  |  | Unvented                                 |  |  | Vented   |                 |     | Thermal Store                 |                     | Not connected |  |
| Hot water cylinder size   |  |  | Litres                                   |  | Stored hot water temperature                   |  |                 | °C  |                               |                     |               |  |
| Hot water has been checked at all outlets   |  |  | Yes                                      |  | Have Thermostatic Blending Valves been fitted? |  |                 | Yes |                               | Not required        |               |  |

\* All installations in England and Wales must be notified to Local Authority Building Control (LABC) either directly or through a Competent Persons Scheme. A Building Regulations Compliance Certificate will then be issued to the customer.

© Heating and Hotwater Industry Council (HHIC)



www.hhic.org.uk  
Issue date: 20.08.2020

| ADDITIONAL SYSTEM INFORMATION (Tick the appropriate boxes/Measure and Record)  |  |                          |            |                          |            |                          |                 |                          |               |                          |
|--|--|--------------------------|------------|--------------------------|------------|--------------------------|-----------------|--------------------------|---------------|--------------------------|
| Water flow rate setting of the heat pump at commissioning (l/min):   |  |                          |            |                          |            |                          |                 |                          |               |                          |
| Additional heat sources connected:   |  | <input type="checkbox"/> | Gas Boiler | <input type="checkbox"/> | Oil Boiler | <input type="checkbox"/> | Electric Heater | <input type="checkbox"/> | Solar Thermal | Other:                   |
| <b>ALL INSTALLATIONS</b>   |  |                          |            |                          |            |                          |                 |                          |               |                          |
| All electrical work complies with the appropriate Regulations  |  |                          |            |                          |            |                          |                 |                          | Yes           | <input type="checkbox"/> |
| The heat pump and associated products have been installed and commissioned in accordance with the manufacturer's instructions  |  |                          |            |                          |            |                          |                 |                          | Yes           | <input type="checkbox"/> |
| The operation of the heat pump and system controls have been demonstrated to and understood by the customer                    |  |                          |            |                          |            |                          |                 |                          | Yes           | <input type="checkbox"/> |
| The manufacturer's literature, including Benchmark Checklist and Service Record, has been explained and left with the customer |  |                          |            |                          |            |                          |                 |                          | Yes           | <input type="checkbox"/> |
| Commissioning Engineer's signature:  |  |                          |            |                          |            |                          |                 |                          |               |                          |
| Customer's signature<br>(To confirm satisfactory demonstration and receipt of manufacturers' literature)                       |  |                          |            |                          |            |                          |                 |                          |               |                          |

\* All installations in England and Wales must be notified to Local Authority Building Control (LABC) either directly or through a Competent Persons Scheme. A Building Regulations Compliance Certificate will then be issued to the customer.

© Heating and Hotwater Industry Council (HHIC)



www.hhic.org.uk  
Issue date: 20.08.2020

# SERVICE RECORD

It is recommended that your heating system is serviced regularly and that the appropriate Service Interval Record is completed.

## Service provider

Before completing the appropriate Service Record below, please ensure you have carried out the service as described in the manufacturer's instructions.

Always use the manufacturer's specified spare part when replacing controls.

\*A System inhibitor efficacy test is required on every annual service in accordance with the manufacturers' instructions and BS 7593. It is only acceptable to not have undertaken this if the service engineers attendance visit was in between annual services to attend a non-water facing component.

|   |  |       |     |
|---|--|-------|-----|
| <b>SERVICE 01</b>   |  | Date: |     |
| Engineer name:  |  |       |     |
| Company name:   |  |       |     |
| Telephone No:   |  |       |     |
| Operative ID No:  |  |       |     |
| System inhibitor concentration has been checked and appropriate action taken, in accordance with BS 7593 and heat pump manufacturers' instructions. * |  | Yes   | N/a |
| Comments:   |  |       |     |
|   |  |       |     |
|   |  |       |     |
|   |  |       |     |
|   |  |       |     |
|   |  |       |     |
| Signature:  |  |       |     |

|   |  |       |     |
|---|--|-------|-----|
| <b>SERVICE 02</b>   |  | Date: |     |
| Engineer name:  |  |       |     |
| Company name:   |  |       |     |
| Telephone No:   |  |       |     |
| Operative ID No:  |  |       |     |
| System inhibitor concentration has been checked and appropriate action taken, in accordance with BS 7593 and heat pump manufacturers' instructions. * |  | Yes   | N/a |
| Comments:   |  |       |     |
|   |  |       |     |
|   |  |       |     |
|   |  |       |     |
|   |  |       |     |
|   |  |       |     |
| Signature:  |  |       |     |

|   |  |       |     |
|---|--|-------|-----|
| <b>SERVICE 03</b>   |  | Date: |     |
| Engineer name:  |  |       |     |
| Company name:   |  |       |     |
| Telephone No:   |  |       |     |
| Operative ID No:  |  |       |     |
| System inhibitor concentration has been checked and appropriate action taken, in accordance with BS 7593 and heat pump manufacturers' instructions. * |  | Yes   | N/a |
| Comments:   |  |       |     |
|   |  |       |     |
|   |  |       |     |
|   |  |       |     |
|   |  |       |     |
|   |  |       |     |
| Signature:  |  |       |     |

|   |  |       |     |
|---|--|-------|-----|
| <b>SERVICE 04</b>   |  | Date: |     |
| Engineer name:  |  |       |     |
| Company name:   |  |       |     |
| Telephone No:   |  |       |     |
| Operative ID No:  |  |       |     |
| System inhibitor concentration has been checked and appropriate action taken, in accordance with BS 7593 and heat pump manufacturers' instructions. * |  | Yes   | N/a |
| Comments:   |  |       |     |
|   |  |       |     |
|   |  |       |     |
|   |  |       |     |
|   |  |       |     |
|   |  |       |     |
| Signature:  |  |       |     |

|   |  |       |     |
|---|--|-------|-----|
| <b>SERVICE 05</b>   |  | Date: |     |
| Engineer name:  |  |       |     |
| Company name:   |  |       |     |
| Telephone No:   |  |       |     |
| Operative ID No:  |  |       |     |
| System inhibitor concentration has been checked and appropriate action taken, in accordance with BS 7593 and heat pump manufacturers' instructions. * |  | Yes   | N/a |
| Comments:   |  |       |     |
|   |  |       |     |
|   |  |       |     |
|   |  |       |     |
|   |  |       |     |
|   |  |       |     |
| Signature:  |  |       |     |

|   |  |       |     |
|---|--|-------|-----|
| <b>SERVICE 06</b>   |  | Date: |     |
| Engineer name:  |  |       |     |
| Company name:   |  |       |     |
| Telephone No:   |  |       |     |
| Operative ID No:  |  |       |     |
| System inhibitor concentration has been checked and appropriate action taken, in accordance with BS 7593 and heat pump manufacturers' instructions. * |  | Yes   | N/a |
| Comments:   |  |       |     |
|   |  |       |     |
|   |  |       |     |
|   |  |       |     |
|   |  |       |     |
|   |  |       |     |
| Signature:  |  |       |     |

\* All installations in England and Wales must be notified to Local Authority Building Control (LABC) either directly or through a Competent Persons Scheme. A Building Regulations Compliance Certificate will then be issued to the customer.



# Memo

---

# Memo

---

**navien** Air to Water Heat Pump

# Installation & Operation Manual

## Getting Service

If your product requires service, you have several options for getting service:

- Contact the Technical Helpdesk at 0344 332 2323 or go to the website ([www.navien.co.uk](http://www.navien.co.uk)). For warranty service, always contact the Technical Helpdesk first.
- Contact the technician or professional who installed your heat pump.
- Contact a Gas Safe Registered engineer.

When contacting the Technical Helpdesk, please have the following information available:

- Model number
- Serial number
- Date purchased
- Installation location and type
- Error code, if any appears on the control panel display

Version: 1.0 (May, 2025)



**Navien LTD**

Building 2, Guildford Business Park, Guildford, GU2 8XG  
TEL 0344 332 2323 [www.navien.co.uk](http://www.navien.co.uk)