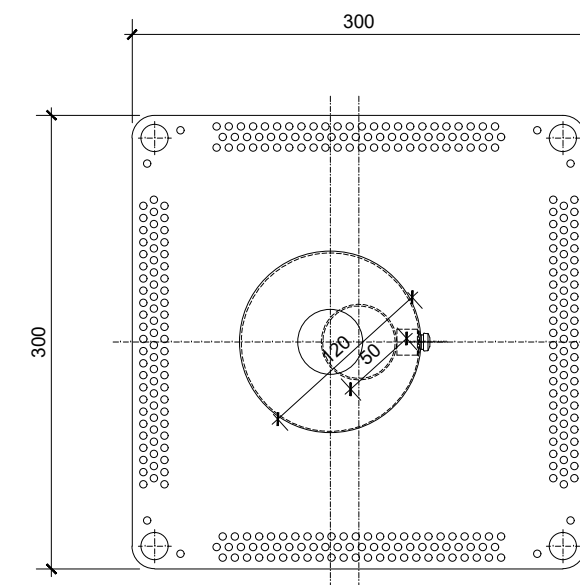


ROOFPORT RP50SS ON WARM ROOF - SECTION VIEW



ROOFPORT RP50SS - FIXING PLATE DIMENSIONS - PLAN VIEW

Product code	Duct Ø	Duct height	Cowl Ø	OA height	Flange size
RP50SS	50	300	125	360	by others
Flange material available			For roof type		
Stainless steel			Any		
Available upstand height: 300mm					