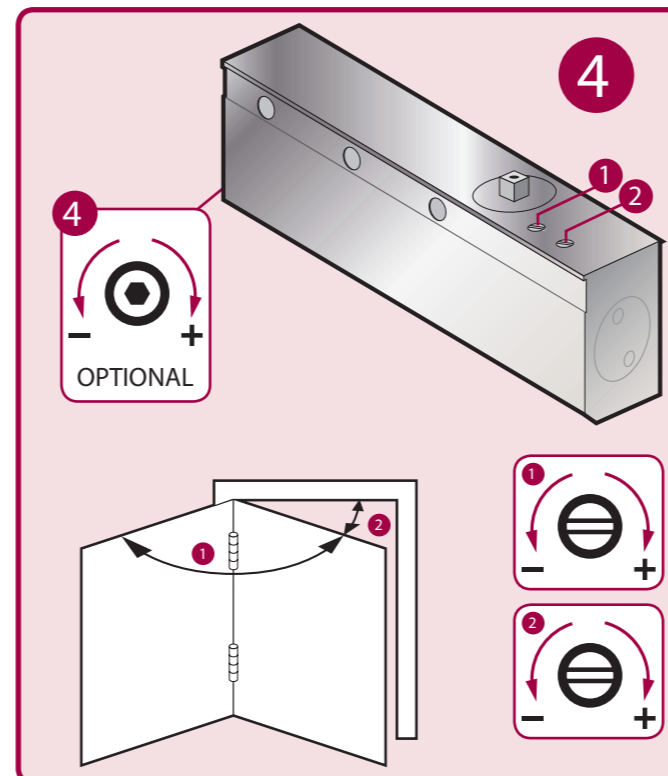
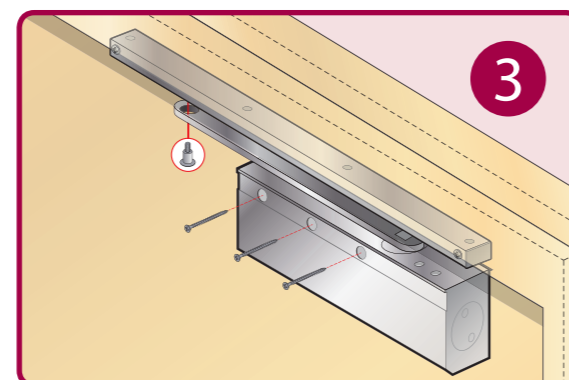
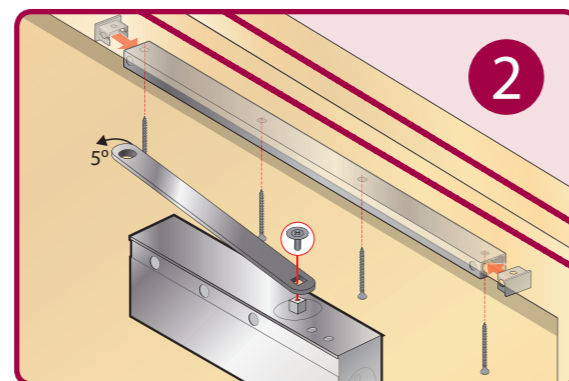
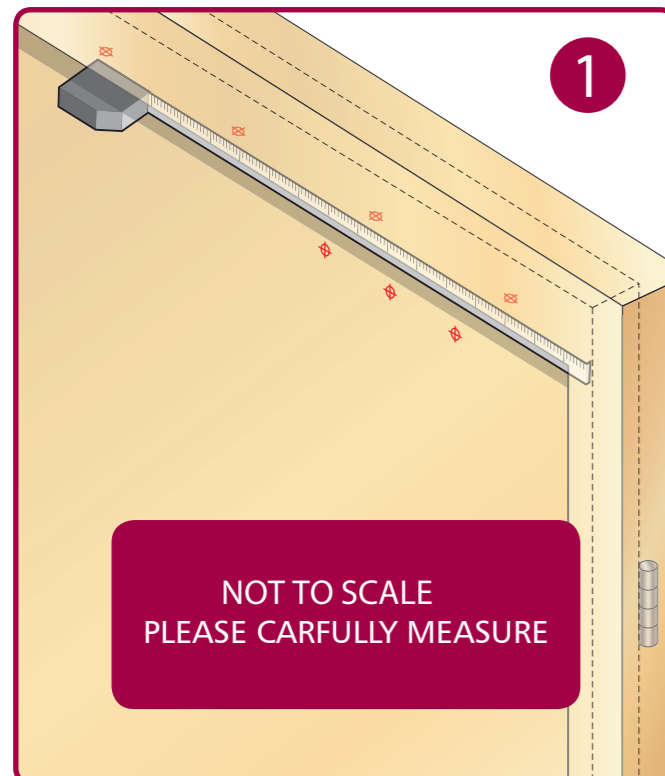
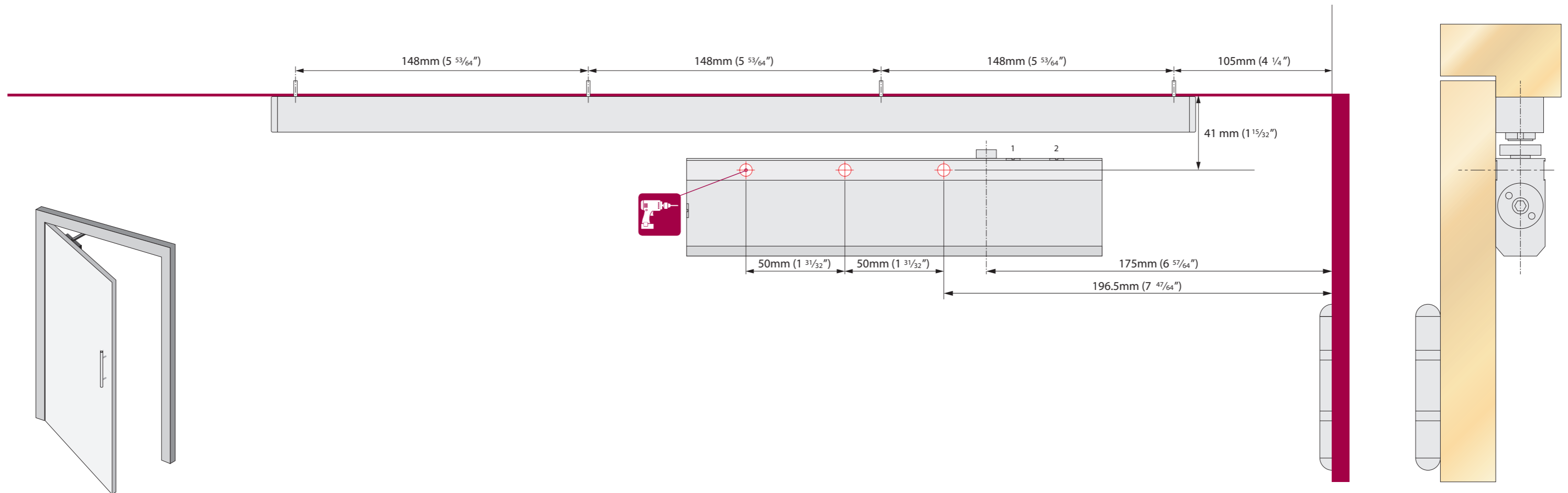




Slide Arm - Push Side Fitting TS 11205

280117

www.rutlanduk.co.uk



2-5 Power Adjustment

Size	Max. door width	Max. opening angle	Max weight
2	850mm	110°	45
3	950mm	110°	60
4	1100mm	110°	80
5	1250mm	110°	100

■ EN2 NOT SUITABLE FOR FIRE DOORS

THE PINION BOLT MUST BE TIGHTENED TO 12NM

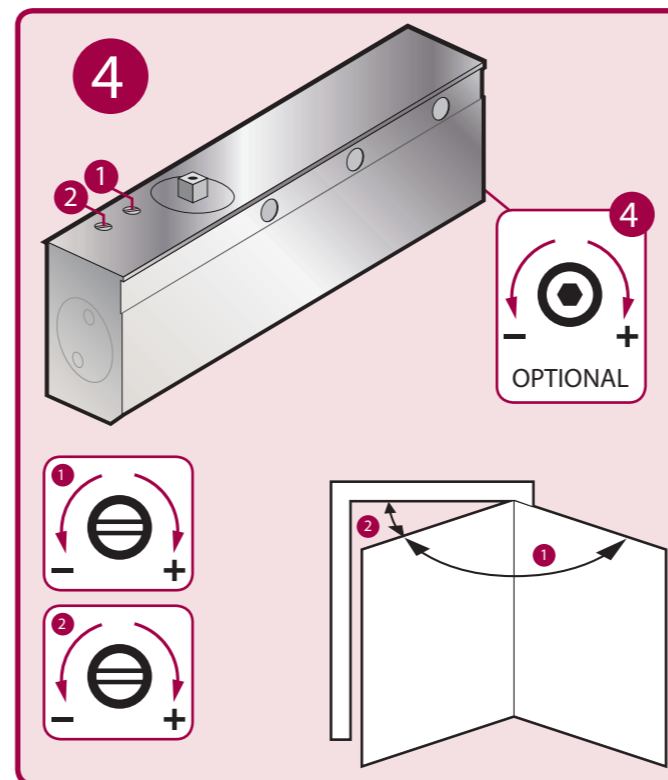
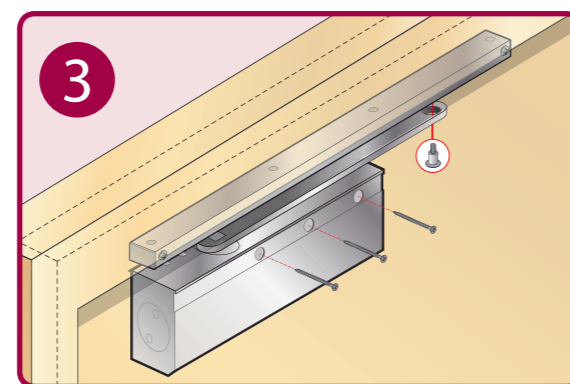
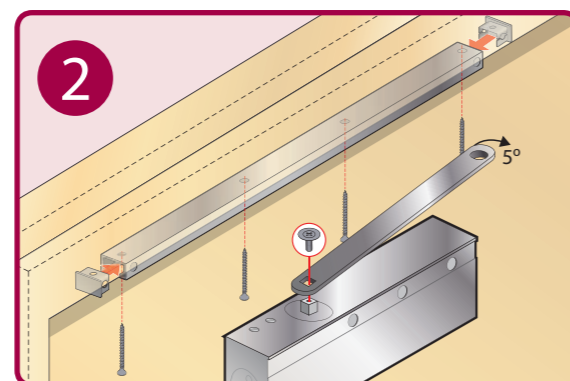
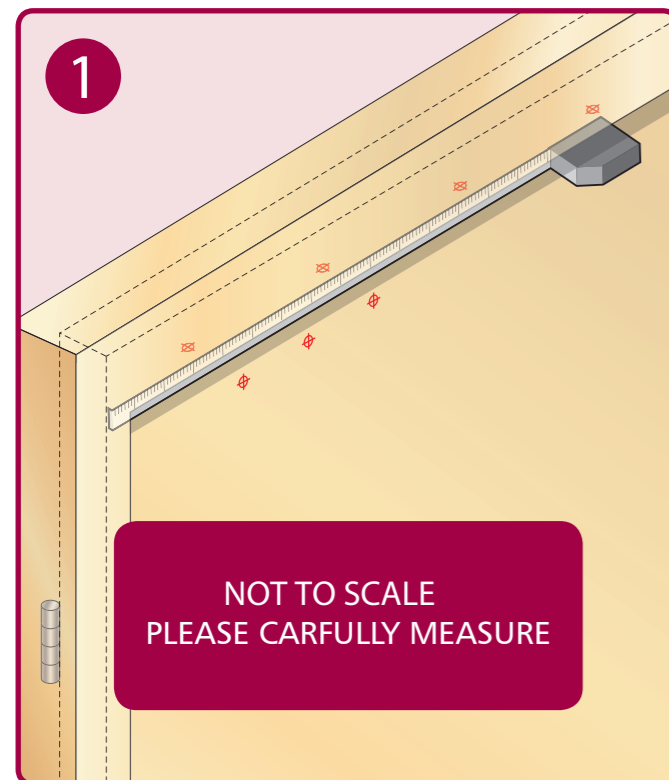
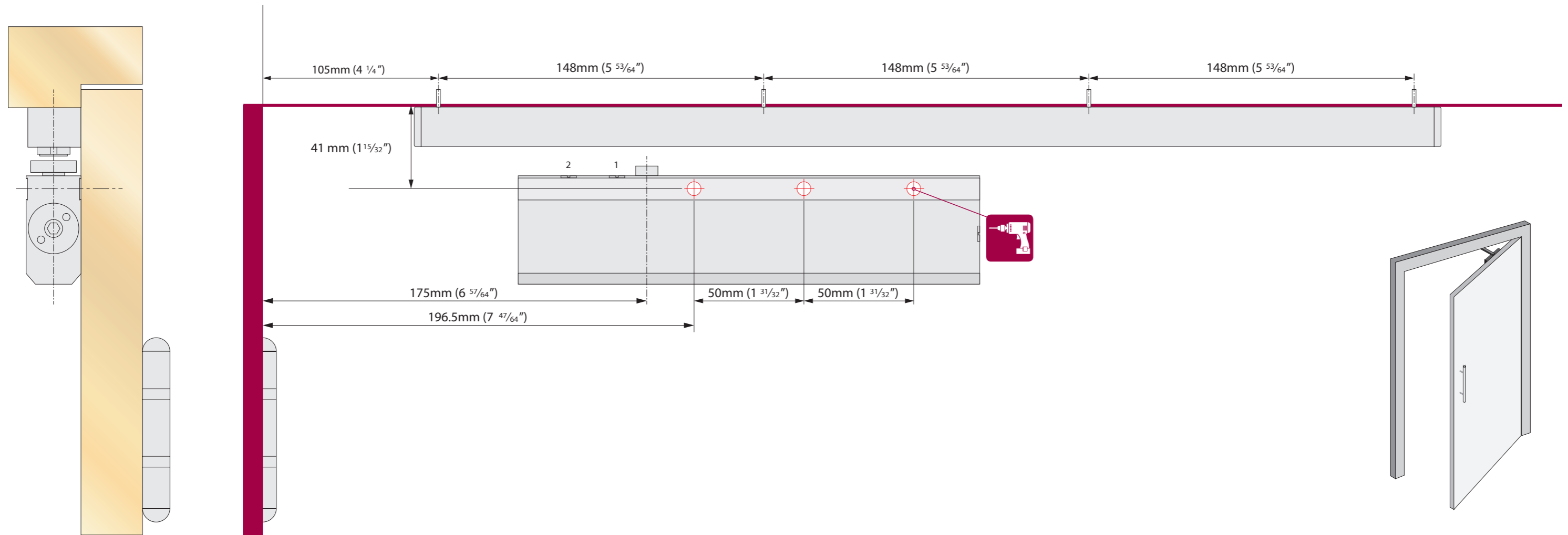
RUTLAND © - 2016



Slide Arm - Push Side Fitting TS 11205

280117

www.rutlanduk.co.uk



2-5 Power Adjustment



Size	Max. door width	Max. opening angle	Max weight
2	850mm	110°	45
3	950mm	110°	60
4	1100mm	110°	80
5	1250mm	110°	100

■ EN2 NOT SUITABLE FOR FIRE DOORS

THE PINION BOLT MUST BE TIGHTENED TO 12NM

RUTLAND © - 2016