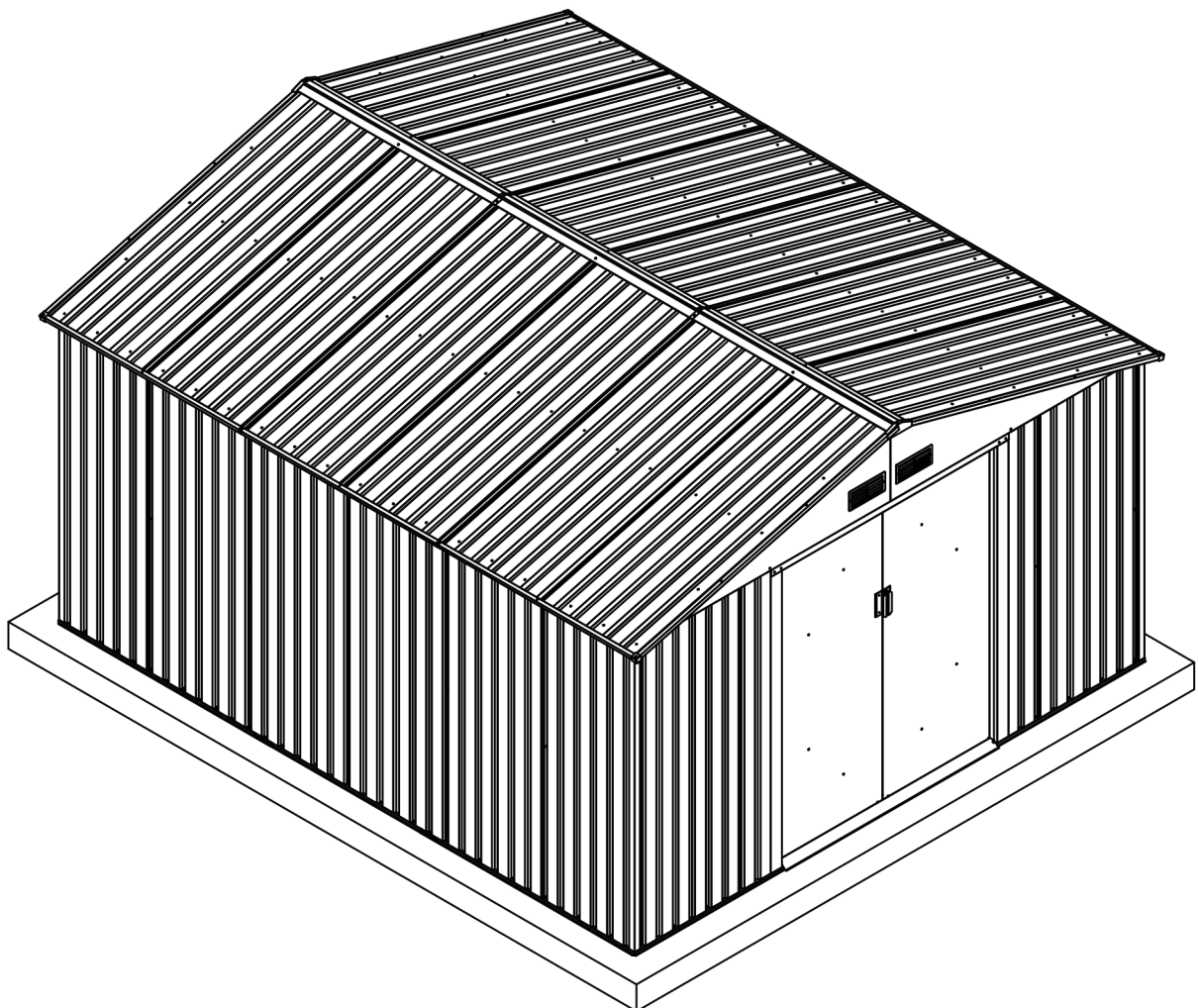


Trentvale 10x12 Apex Metal Shed

Light Grey: SS616A

Dark Grey: SS617A



S1001H

Requires two people and takes 3-4 hours for Installation.

Assembly Preparation

Owner's Manual

Please check local building codes regarding footings, location and other requirements before beginning construction.

Assembly instructions:

Reviewing all instructions and the appropriate information before you begin, make sure following the step sequence carefully for successful results.

Flooring base:

A good location for the storage building is a square and level area with good drainage. The base is not included in the kit which may need purchase separately or may construct a foundation and anchoring system of your own.

A strong plastic sheet (thickness: at least 150µm) should be placed under the foundation to assist in reducing rising dampness from the soil, thus reducing condensation build up in the shed. Your storage building must be anchored to prevent wind damage. Once secured, it is highly recommended applying silicone along the inside of the base rail to minimize condensation.

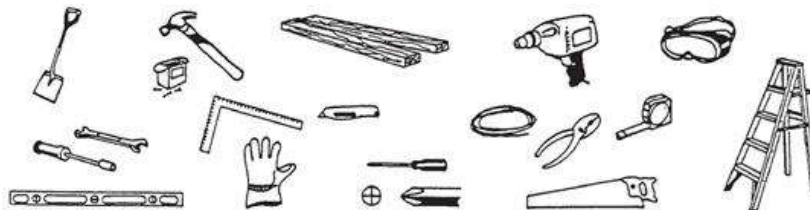
Parts and Parts List:

Before you start, separate and identify all the parts and hardware to be sure that you have all the necessary parts for your building (refer to the Parts List Page).

If you find that a part is missing, please notify the seller within one week after receiving the product. Do not attempt to assemble the building if parts are missing because any building left partially assembled may be seriously damaged by light winds.

Tools you need:

(Please tear off the safety protection layer before the assembly, keep the part number label if needed)



Safety must be put in the No. 1 position:

1. Select a dry and calm day for your assembly. Team works (Two or more people) are required during the assembly. It is also recommended to finish the assembly in a day to avoid damage to the product or missing of some small parts.
2. Wearing safety gloves, eye protection and long sleeves during the assembly to prevent injury. Pay attention to the sharp edge of some parts.
3. Children and pets are not allowed entering into the construction site.
4. Never concentrate your total weight on the roof of the building.
When using a step ladder make sure that it is safe.

Care & Maintenance:

1. Keep the shed clean with soft cloth, use water if necessary.
2. Keep the door tracks clear of dirt and other stuff that prevent them from sliding easily.
3. Clean the snow with necessary tools to make sure it is safe to enter into.
4. The shed is not made for living but storing stuff.
5. Please add some oil on the top and bottom door sliding channel to make door slides smoothly.

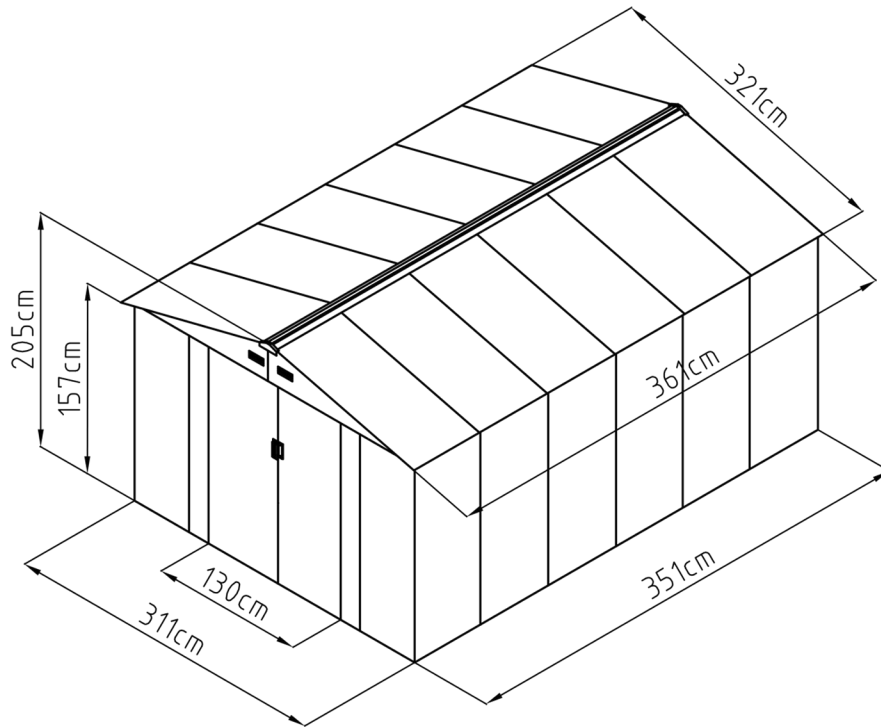
Screwdrivers:

Caution: Power screwdrivers can easily over tighten the screws resulting in splitting the washer and/or stripping the thread of the hole. This can lead to water leaks and inadequately fixed panels. While a power screwdriver can be used to start the screws off, the final few turns and tightening of the screws MUST be done using a hand screwdriver.

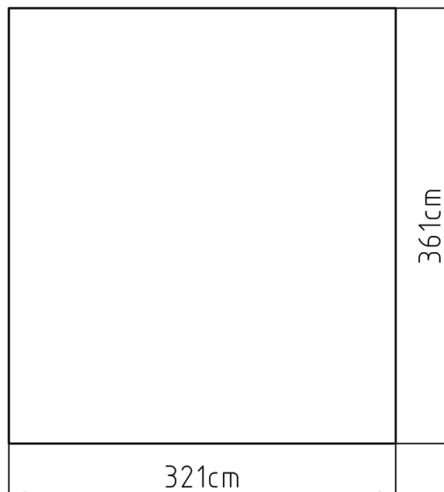
Condensation:

Condensation can form on the inside of any building made of any material. On metal sheds it can sometimes be more obvious. Condensation is the result of warm moist air coming into contact with a cold surface. To minimise the risk of condensation build up; site the shed on a good well drained base that contains a damp proof barrier to prevent moisture rising up through the floor. Ensure any standing water is diverted away from the base of the shed. Make sure there is good air flow through the building, particularly if it's to be left closed up for long periods of time. Do not block any gaps or vents. Leave a gap between the walls and stored items. If needed, Insulating the inside of the roof may also help reduce sudden changes in temperature further reducing condensation build up.

Size of S1001H



Area of installation requirement:



NO.	IMAGE	mm	Qty
UNDER			
T-E1		1702	x1
T-E2		1502	x1
T-C3		1302	x4
Th-C3a		1102	x2
T-E4		960	x1
T-E5		960	x1
T-E6		1295	x1
MIDDLE			
T-E7		1600	x2
T-8		1600	x4
T-14		1600	x15
T-E9		1532	x1
T-E10		1532	x1
T-K11		1798	x2
T-K13		1798	x2
T-E12		1390	x1
T-E15		1780	x1
T-16		1595	x1
T-17		1595	x1
T-E18		1440	x1
T-K46		1543.5	x2
T-K47a		1717	x4
TOP 1			
T-E19		1524.5	x2
T-E20		1524.5	x2
Th-K22		1731	x4
Th-K22a		1731	x4
T-E29		200	x4
T-E45		310	x4
T-N49		100.5	x2
T-N49a		100.5	x2
T-N50		1580	x2
T-N51		1598	x2
T-N52		1205	x1
T-N53		1000	x1

NO.	IMAGE	mm	Qty
T-N54		230	x2
T-N55		292	x4
T-N56		391	x2
TOP 2			
T-E23		1652	x2
T-E24		1652	x8
T-E25		1652	x2
T-26		1216	x6
T-E38		1650	x2
T-E39		1650	x2
T-A28		1220	x3
DOOR			
T-E30		1595	x1
T-E35		1595	x1
T-31		1535	x2
T-E32		954	x4
T-E33		651	x1
T-E34		651	x1
T-E36		651	x1
T-E37		651	x1
ANNEX			
T-P1			x4
T-P2			x4
T-P3			x4
T-P4			x2
TP5A			x4
T-P6			x2
T-P7		200	x1
T-P8			x2
T-K40			x310
T-K41		ST4x10	x380
T-K42		ST4x16	x28
T-K43		M4x10	x126
T-K44			x134
T-K57		M6x50	x4

NOTE:It is important that these instructions are followed step by step.

Metal Shed must be installed on a level wooden platform or a level concrete foundation

Wooden platform is extra and is not included.
Don't install under windy conditions.

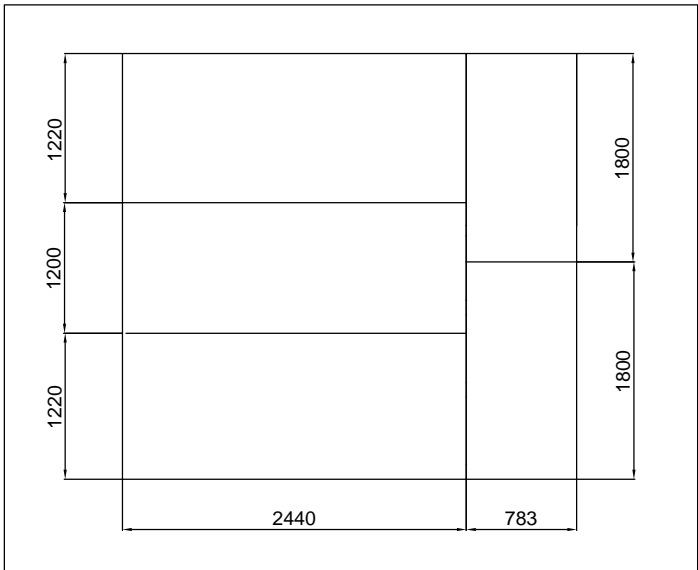
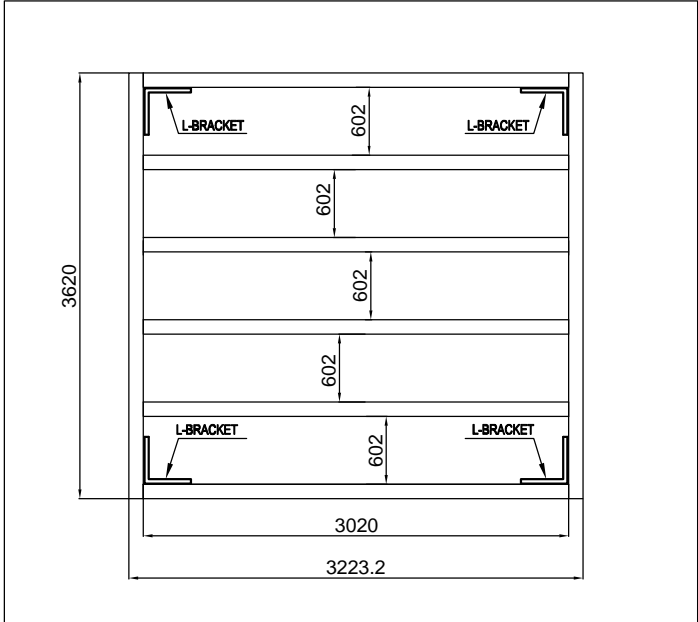
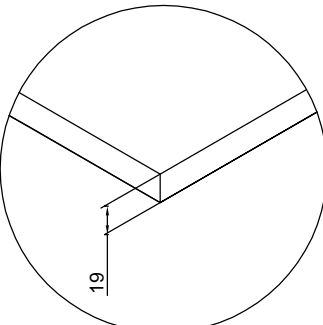
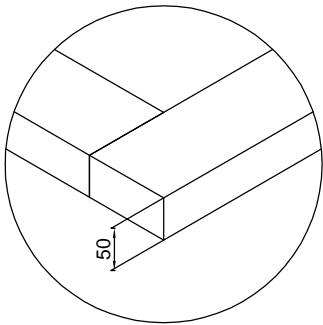
Wooden Platform

The following are a list of lumber and sizes you will need.

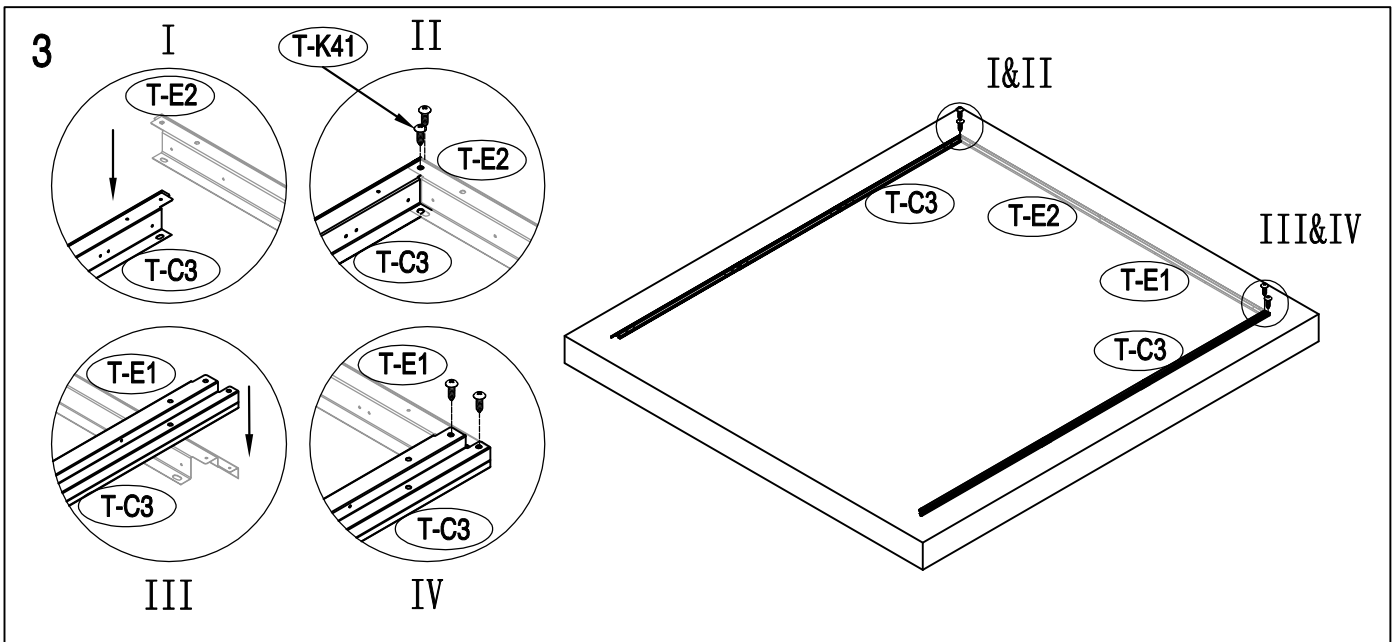
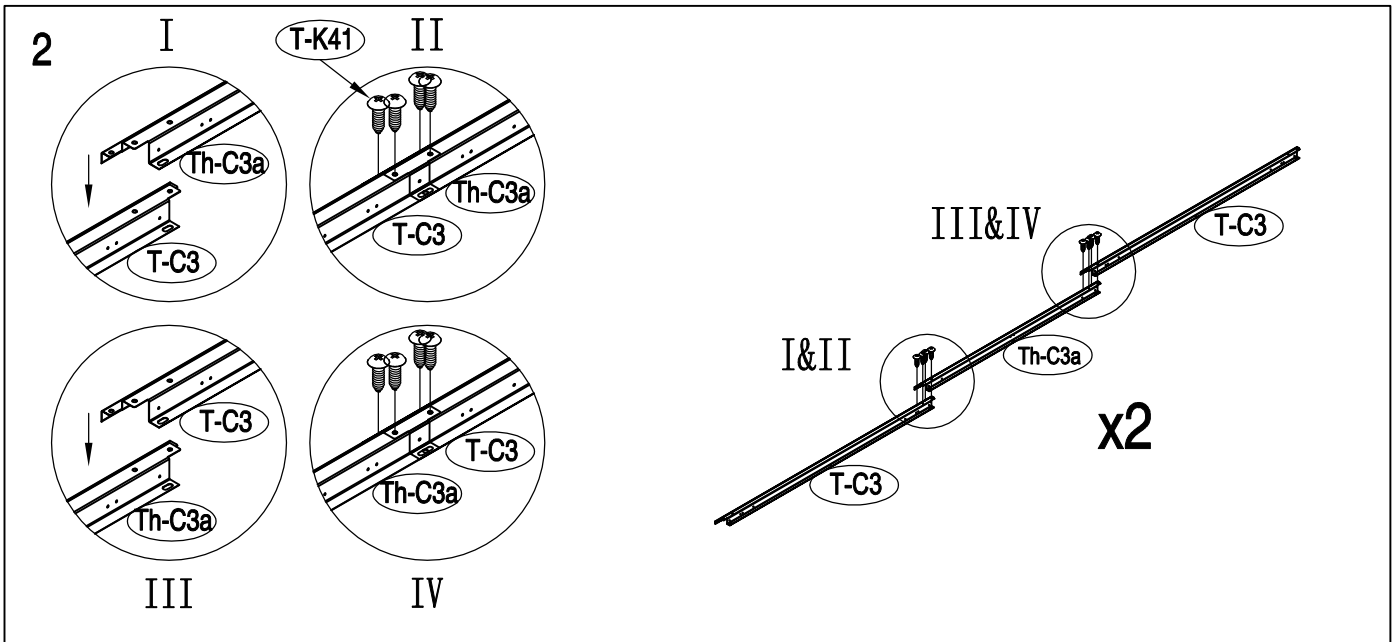
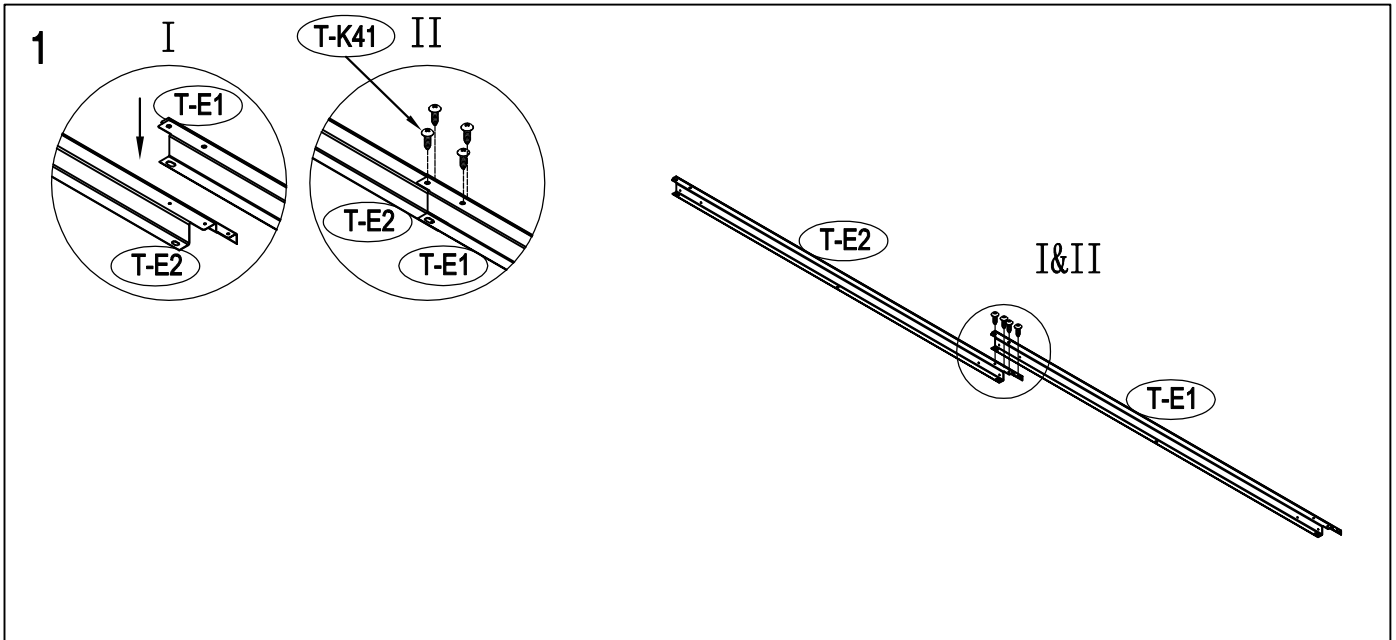
- Pressure Treated-Wood Studs:**
 50mmX101.6mmX3020mm.....(6)
 50mmX101.6mmX3620mm.....(2)

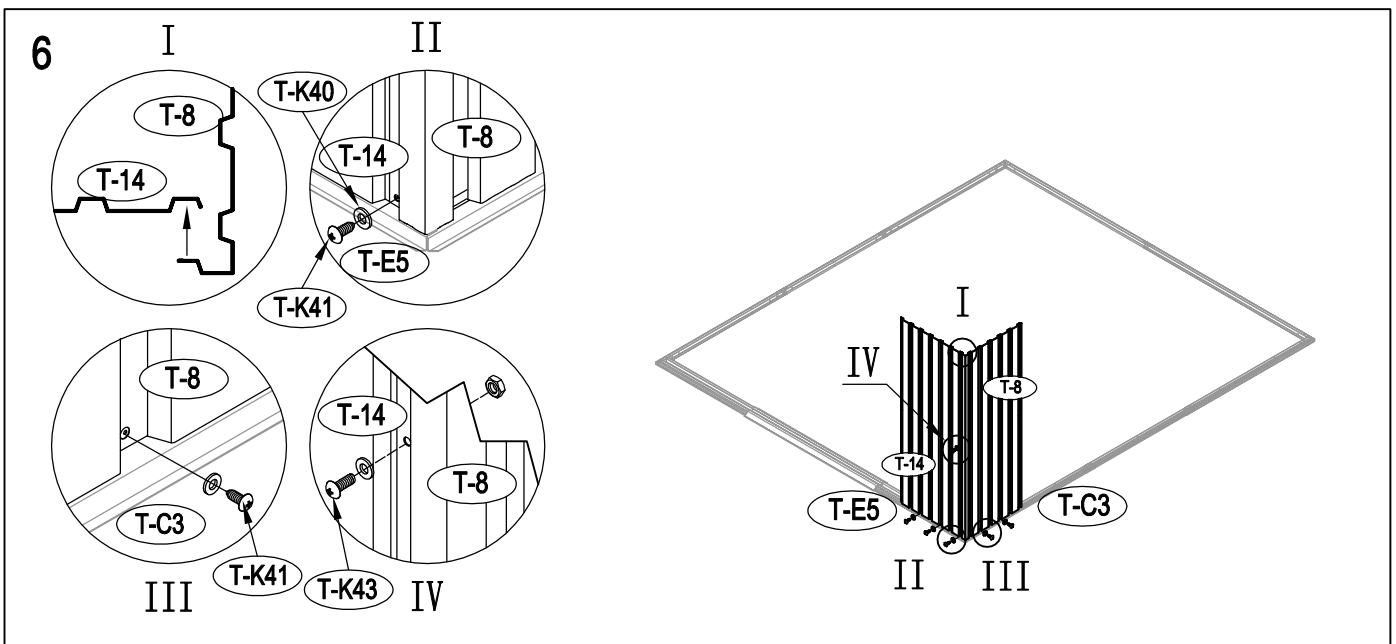
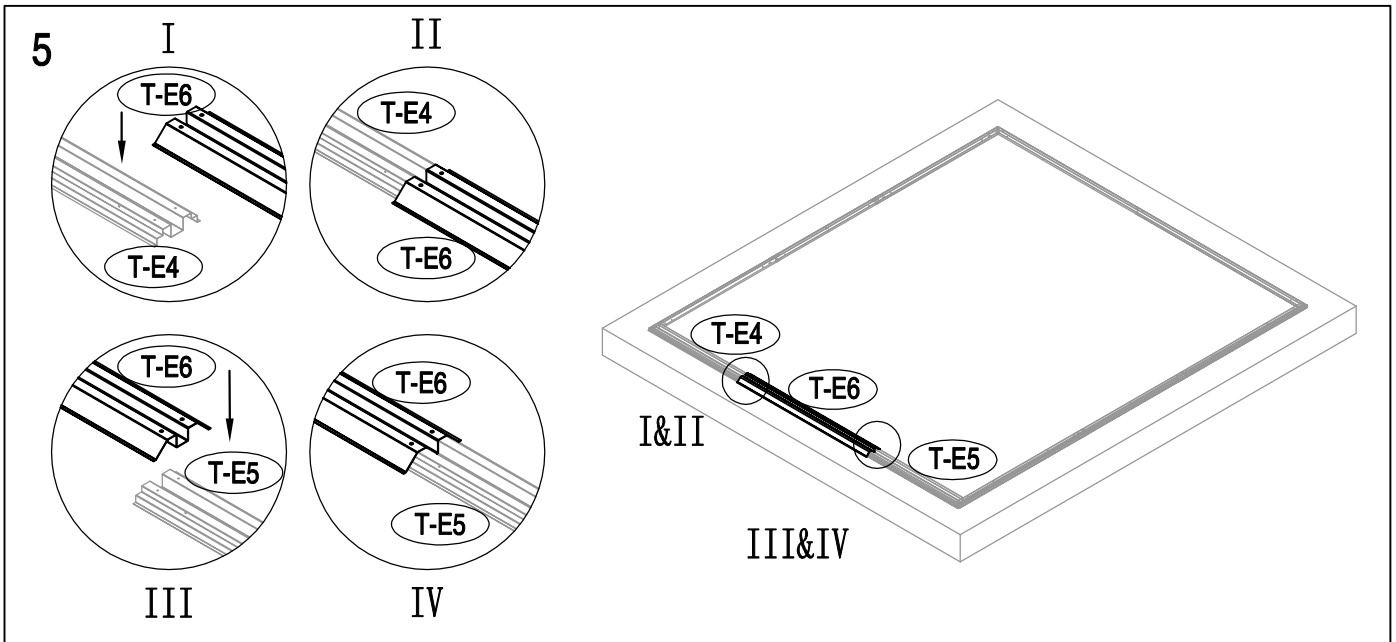
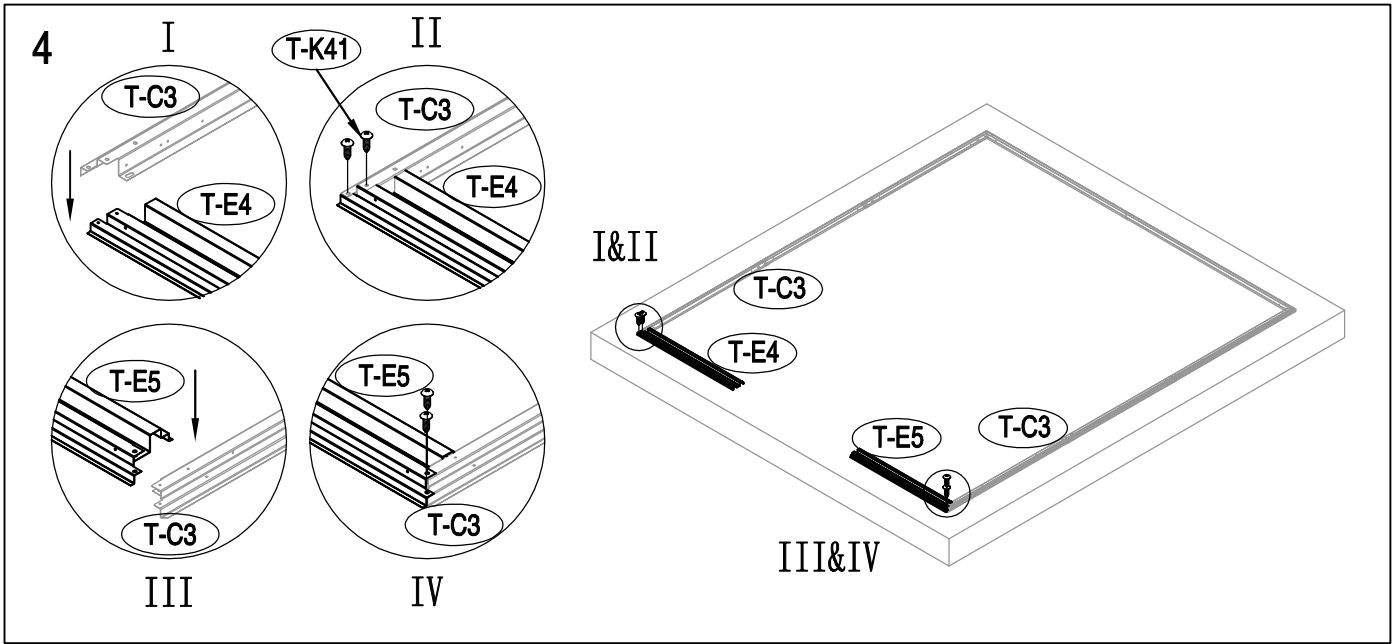
- Exterior Grade (CDX-19mm) plywood**
 19mmX1200mmX2440mm.....(3)
 19mmX783mmX1800mm.....(2)

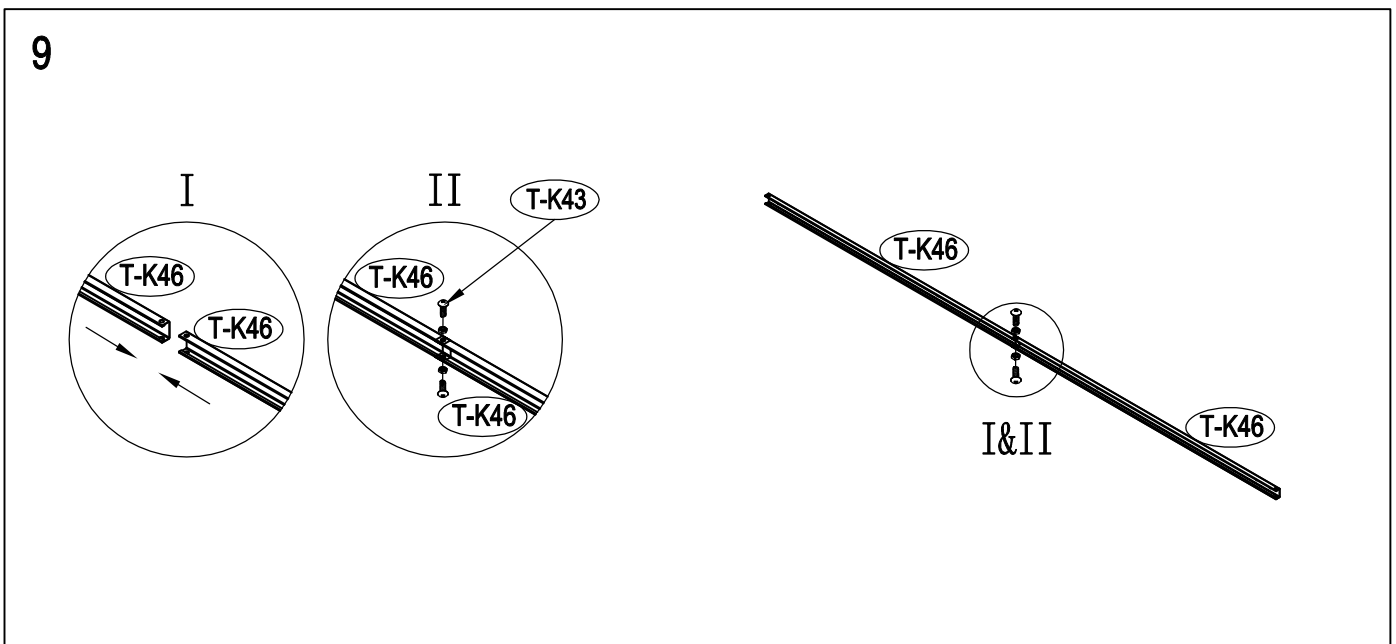
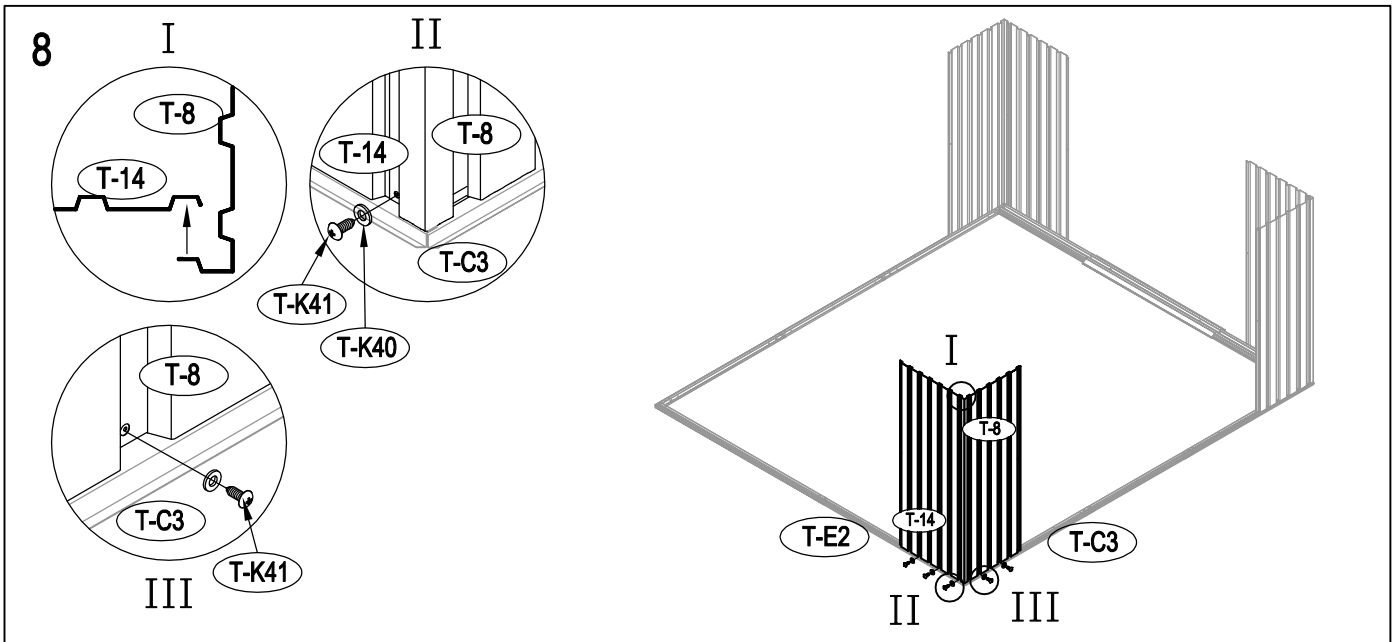
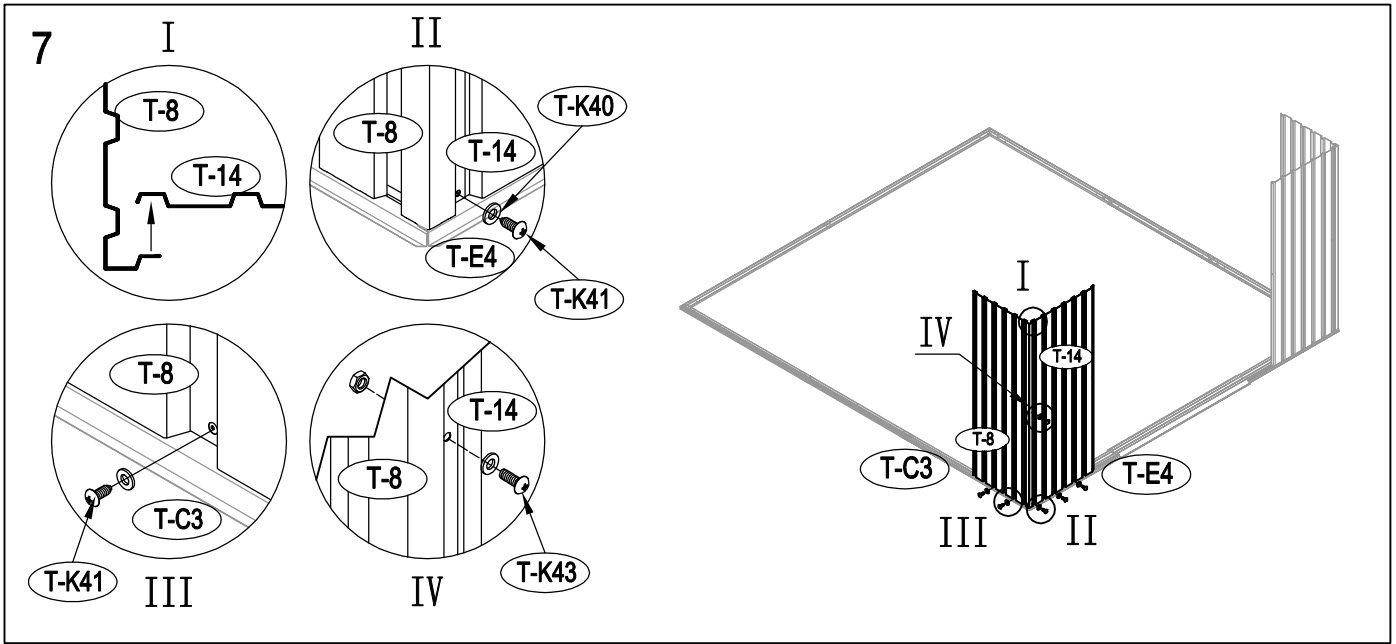
We recommend to clear your metal shed of snow after each snowfall.



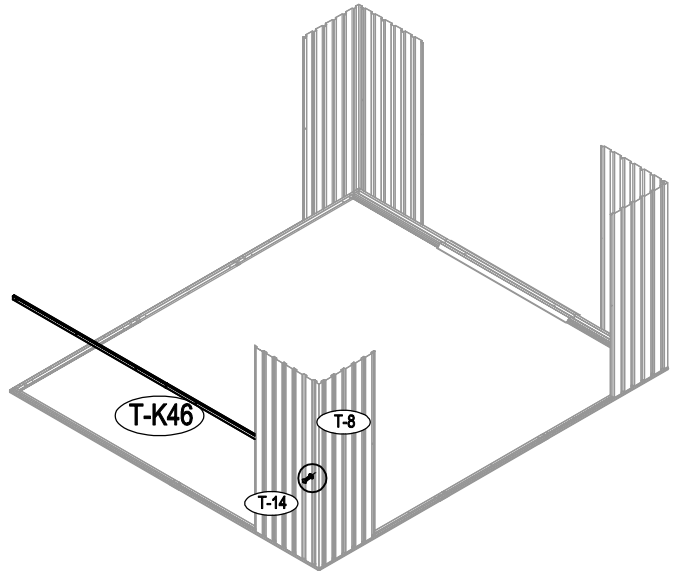
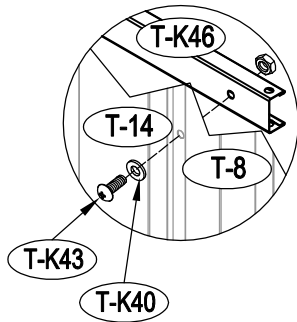
Important: Use hand gloves to prevent injury.



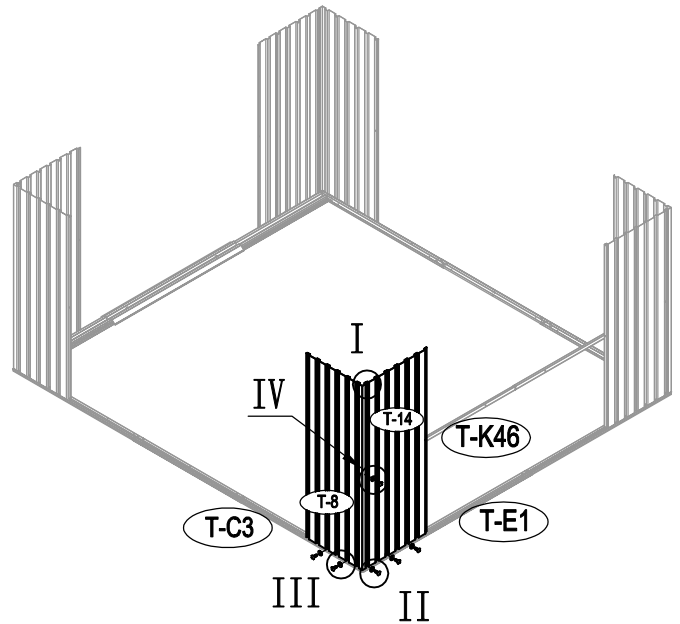
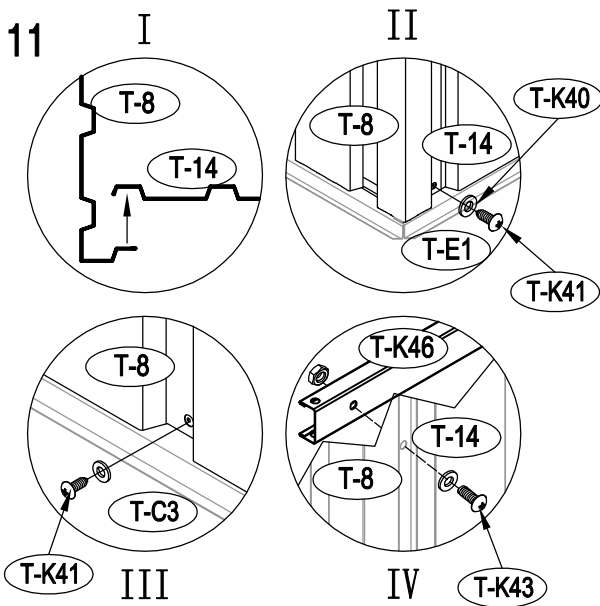




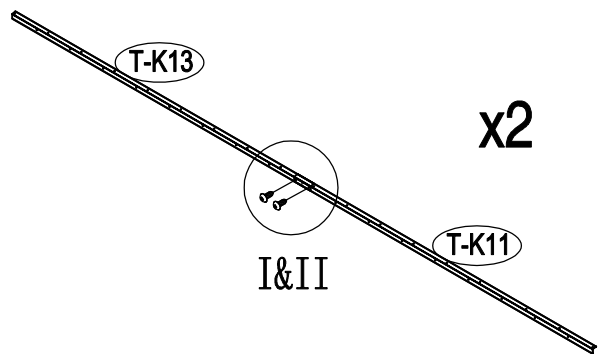
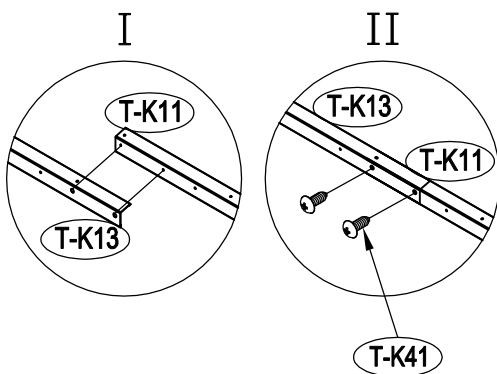
10

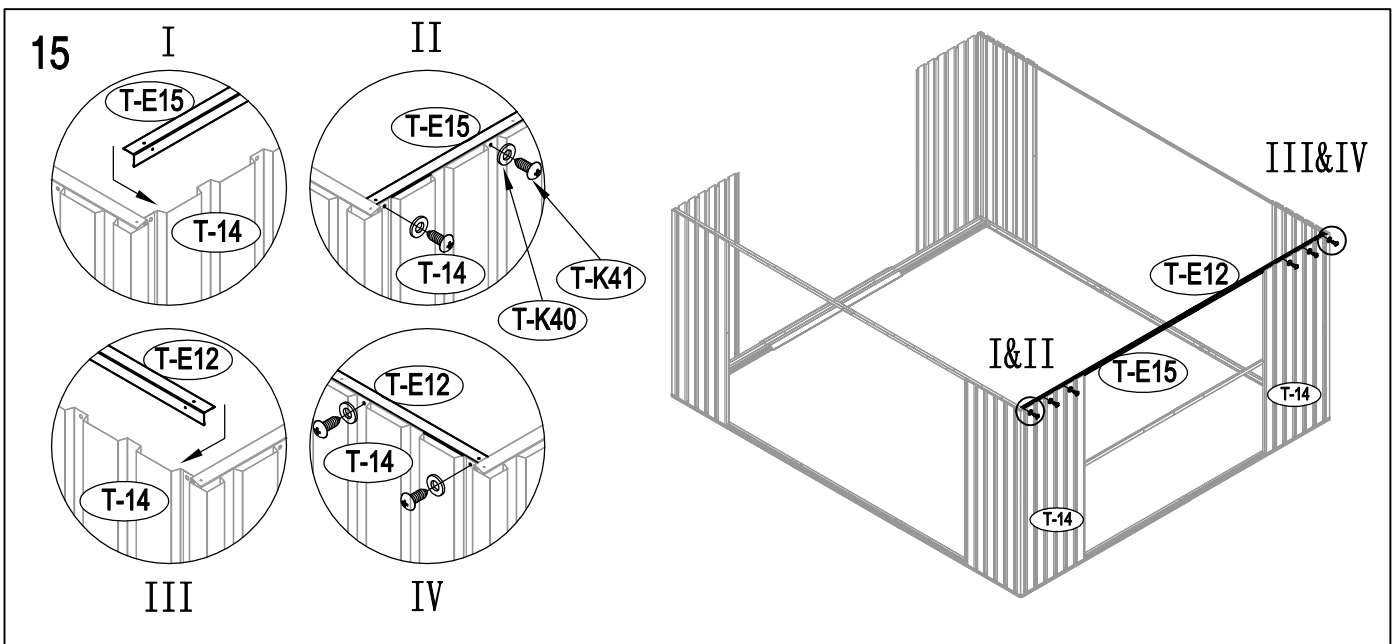
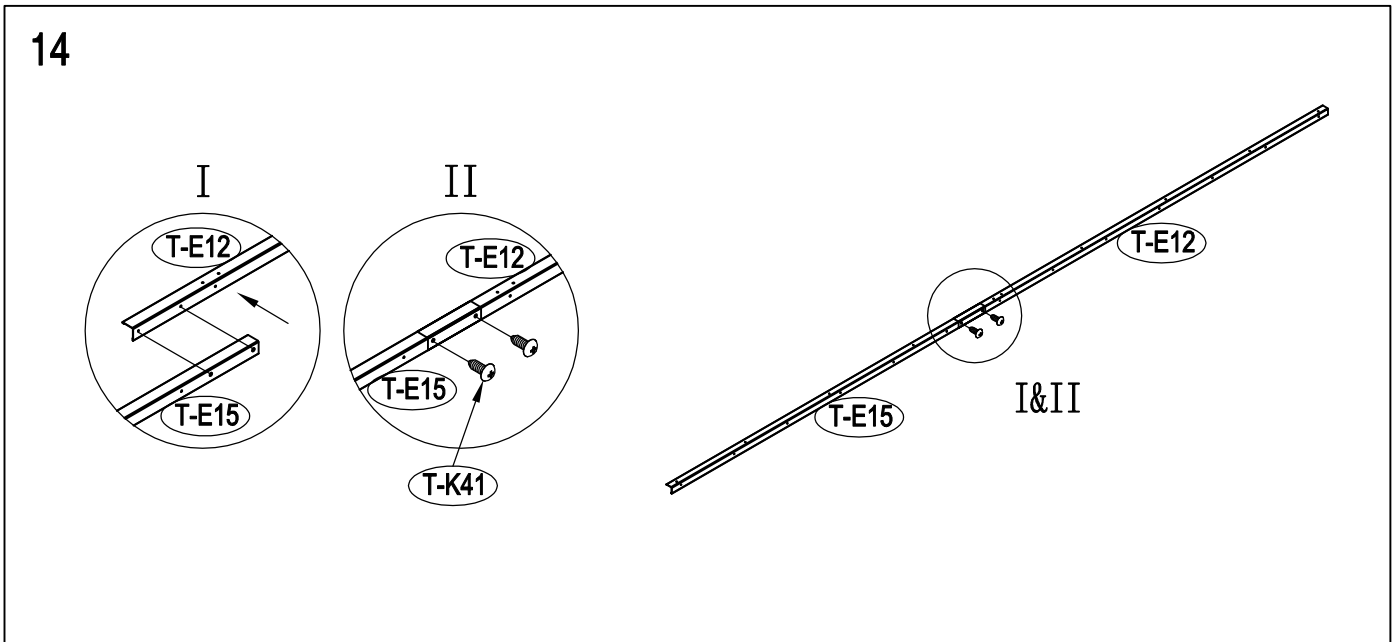
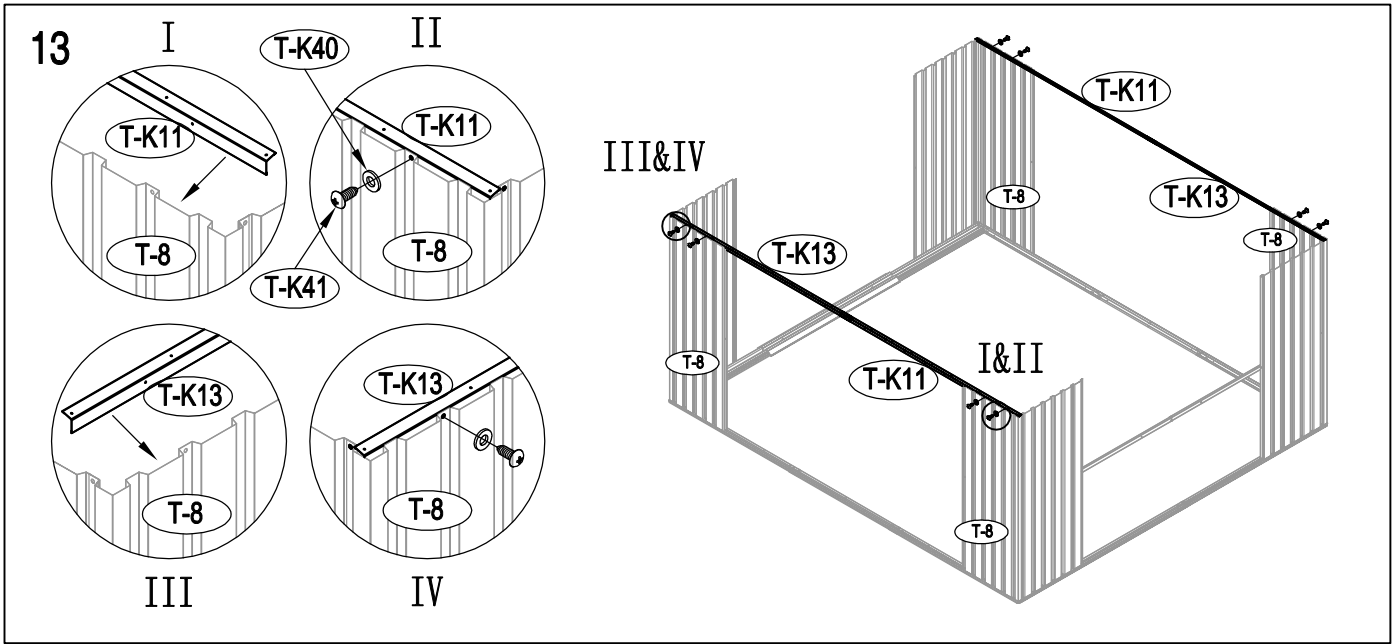


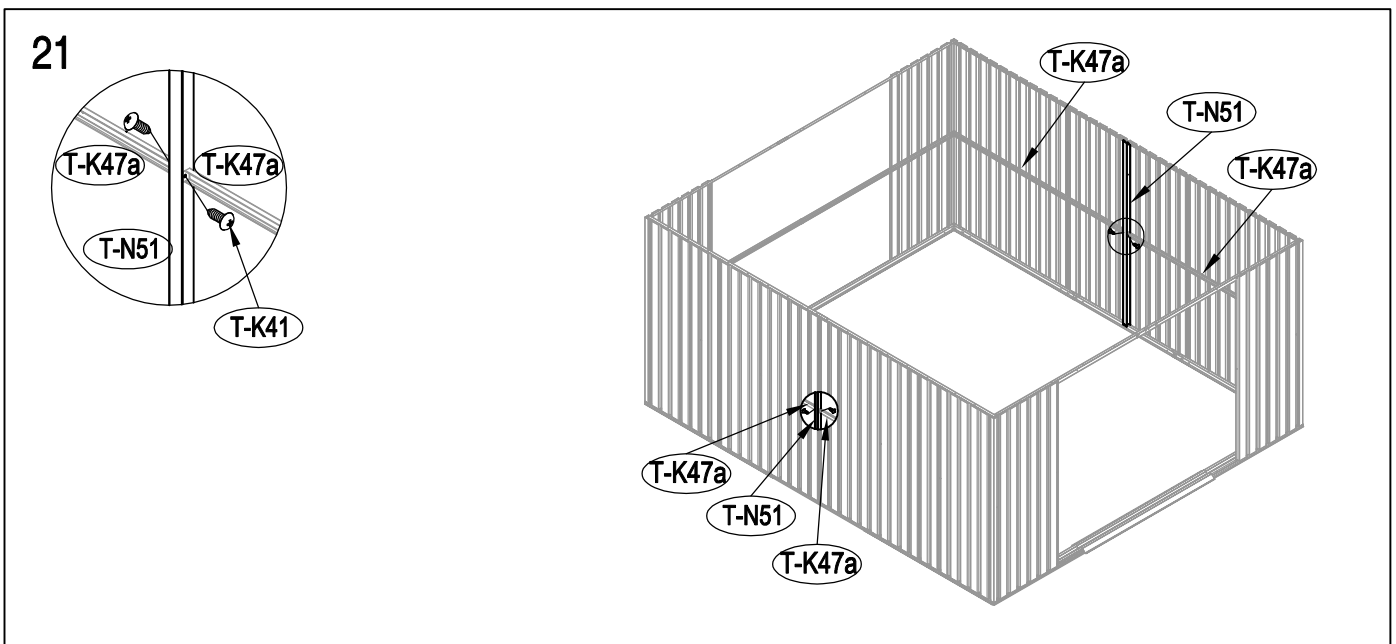
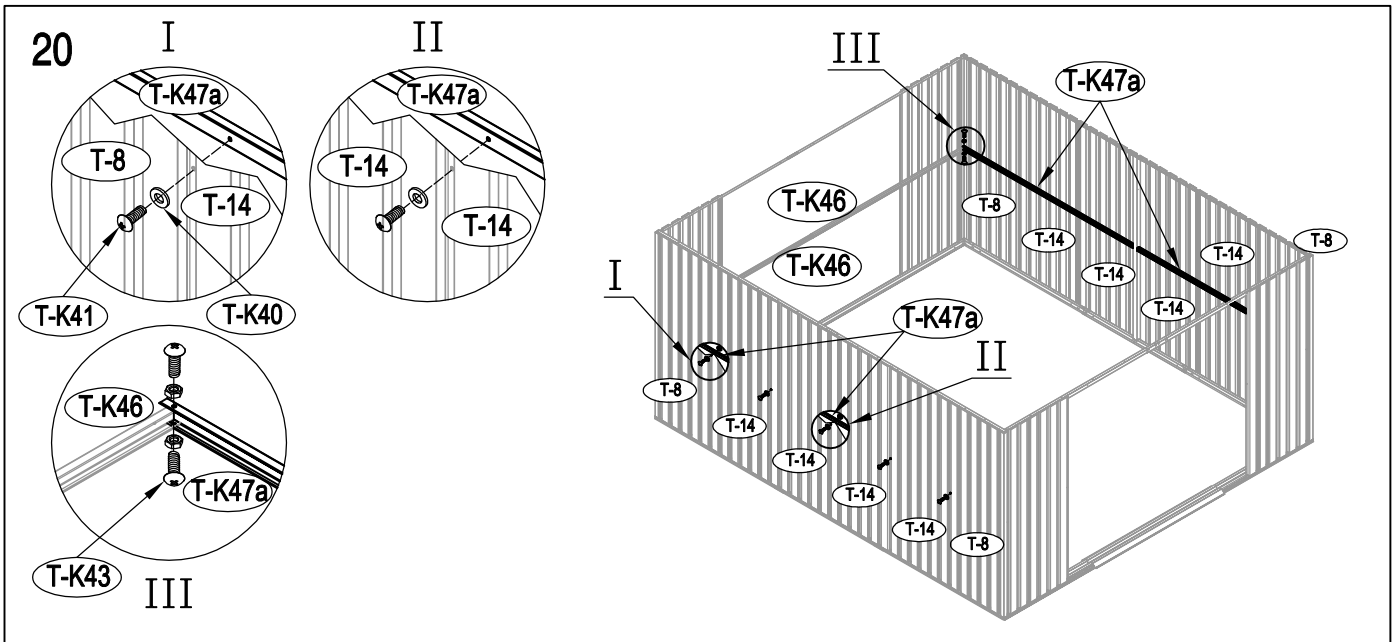
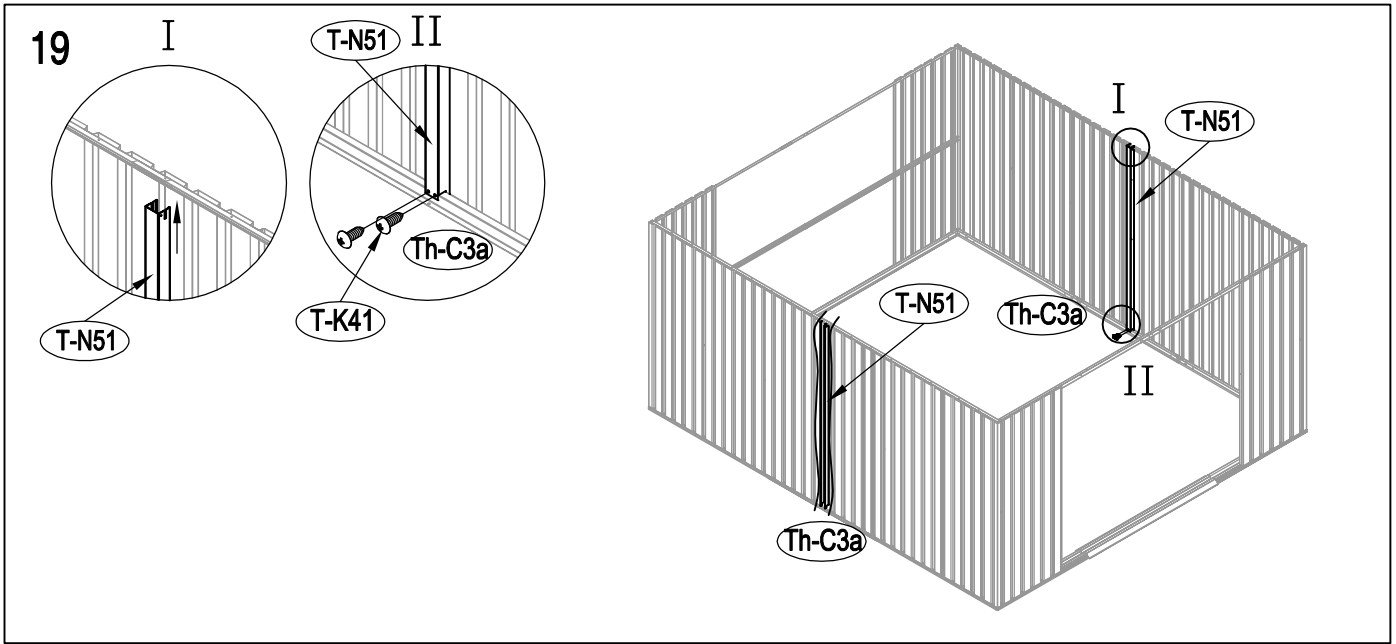
11

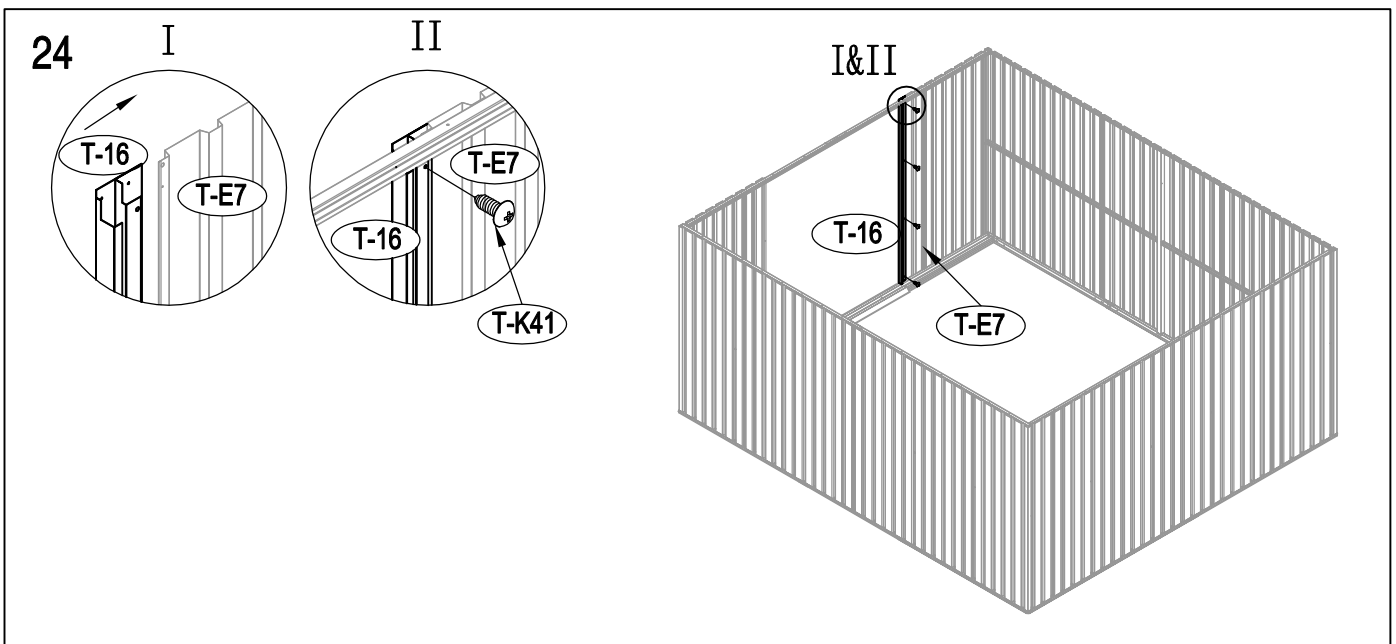
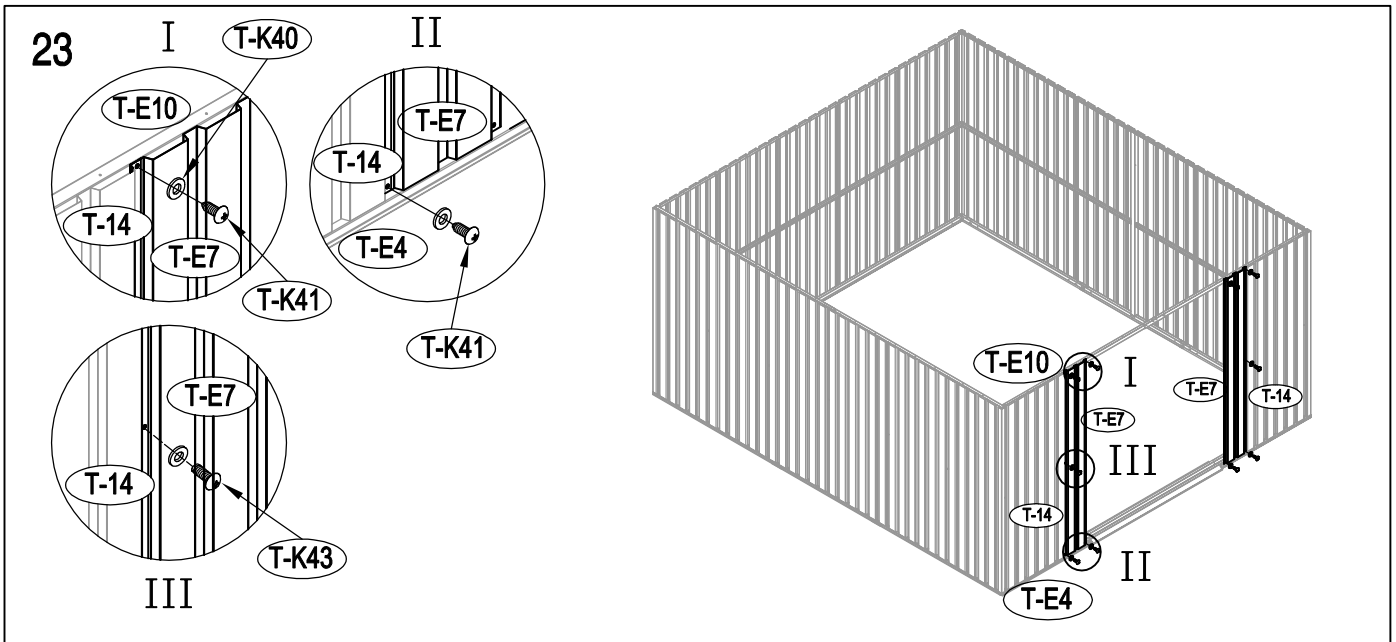
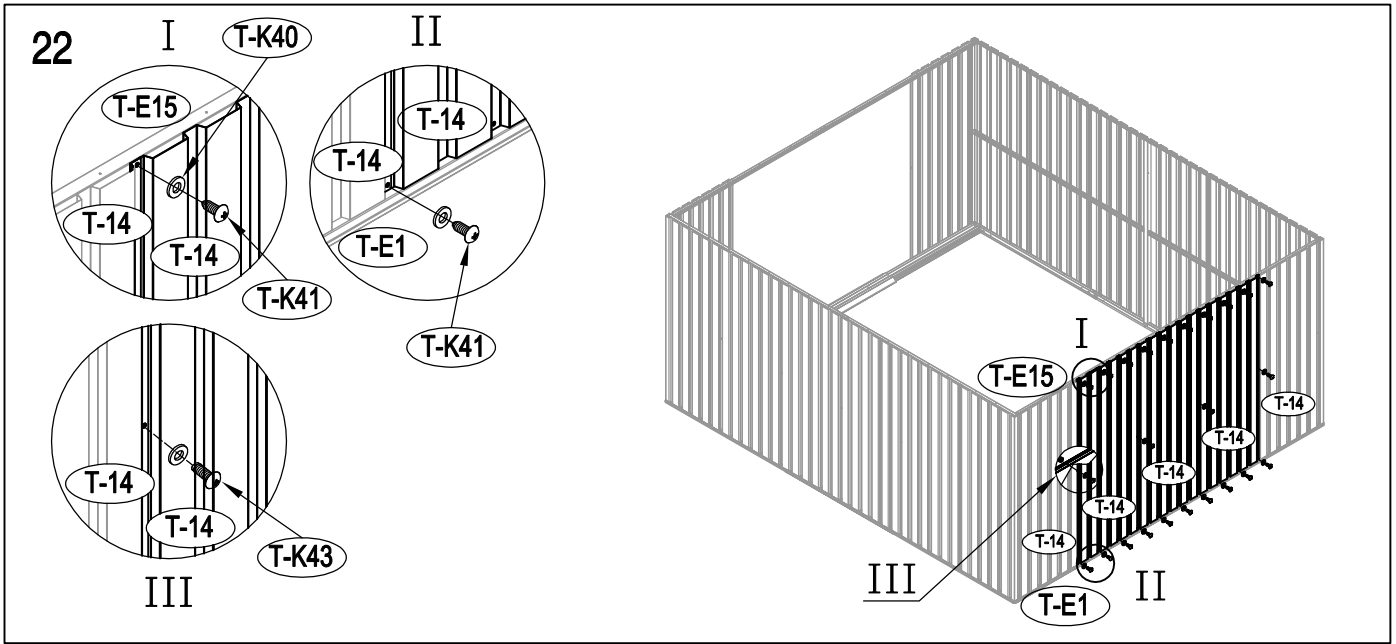


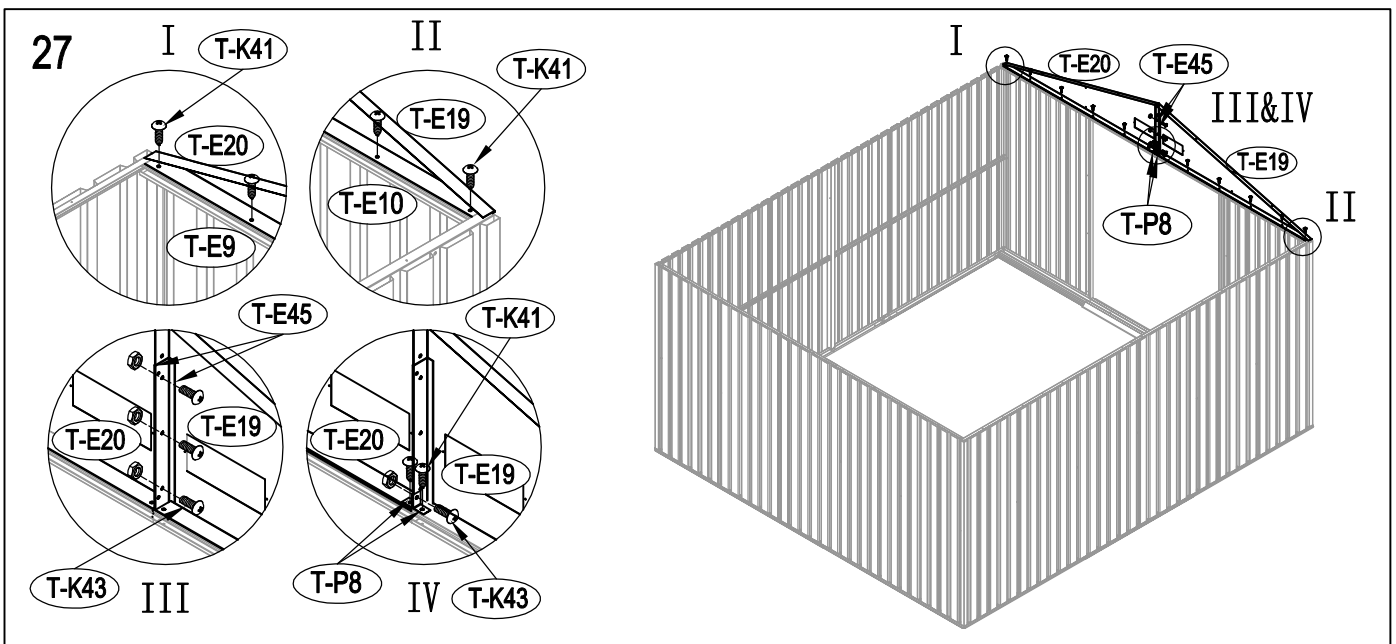
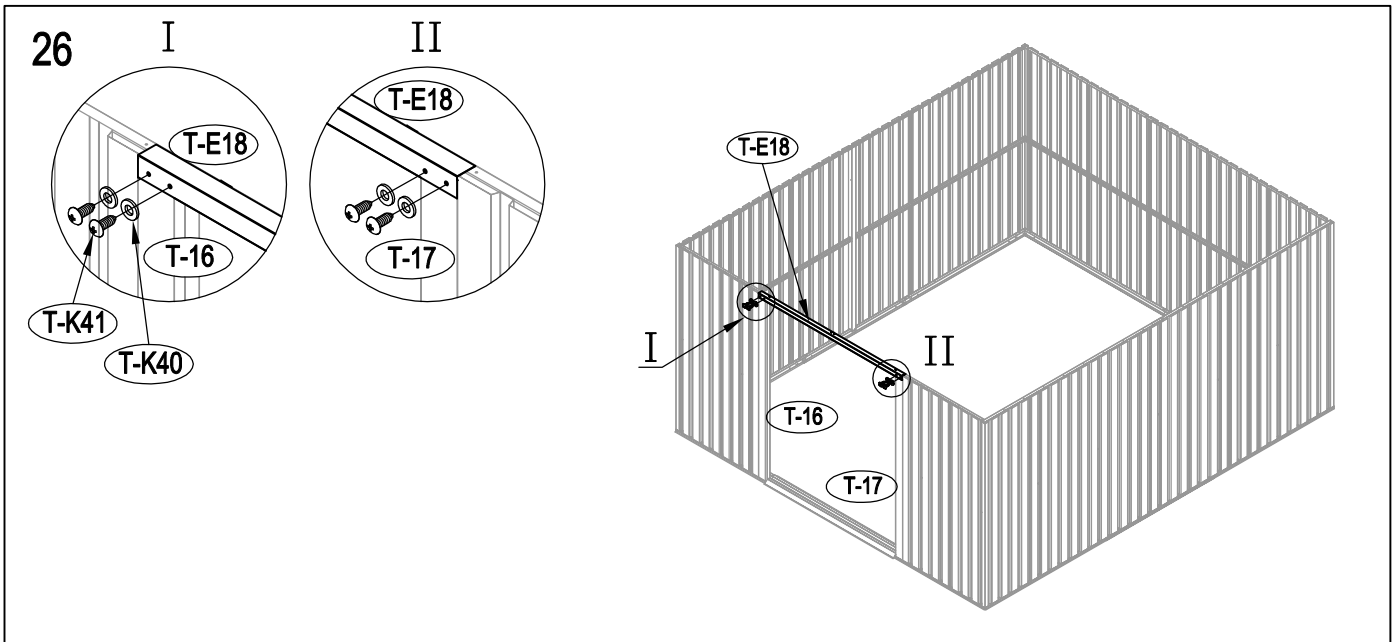
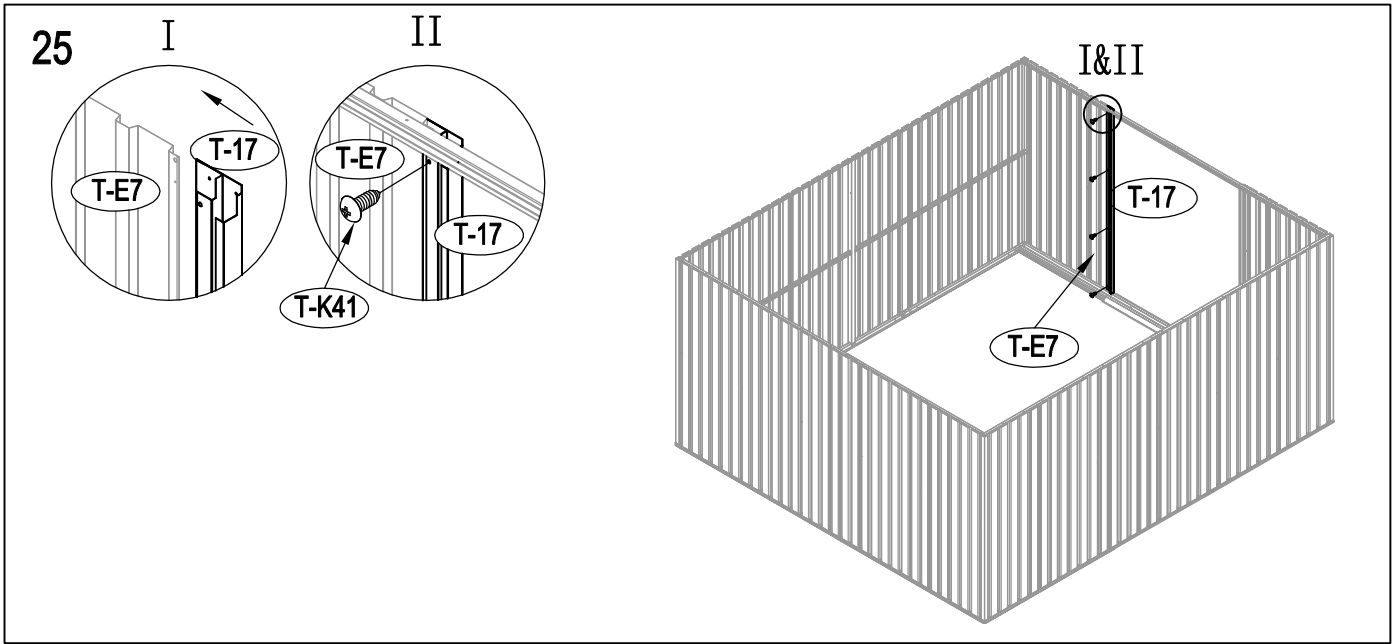
12

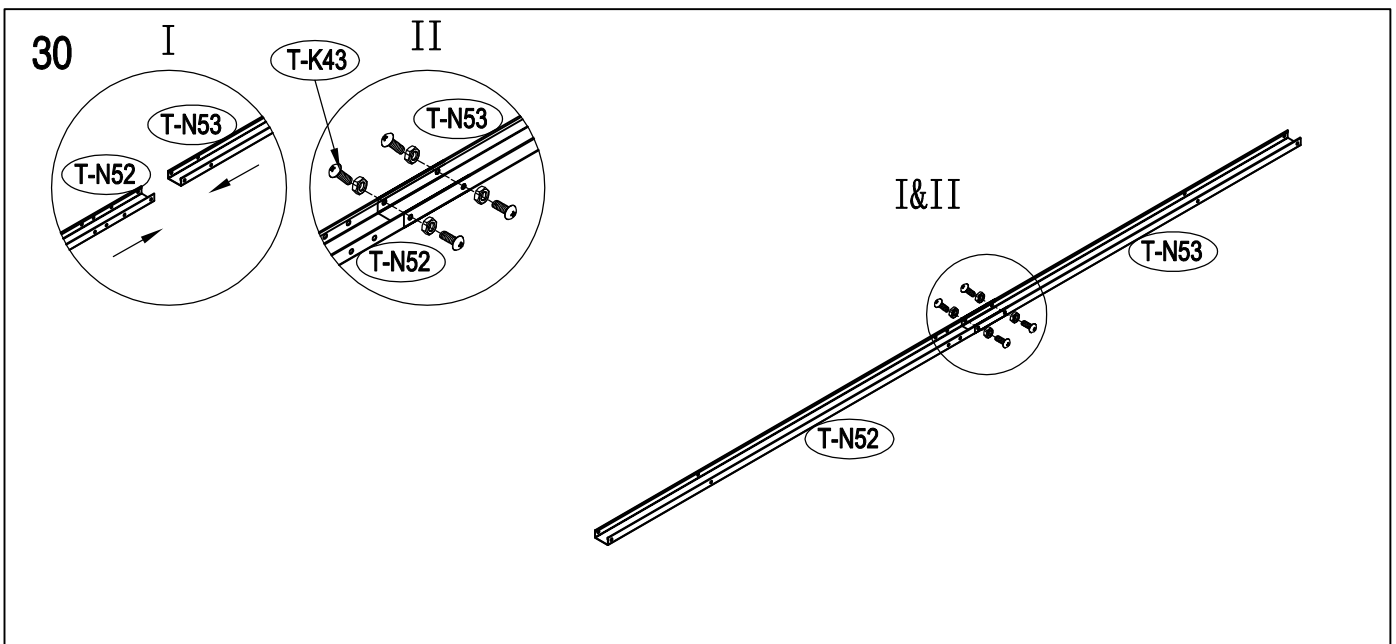
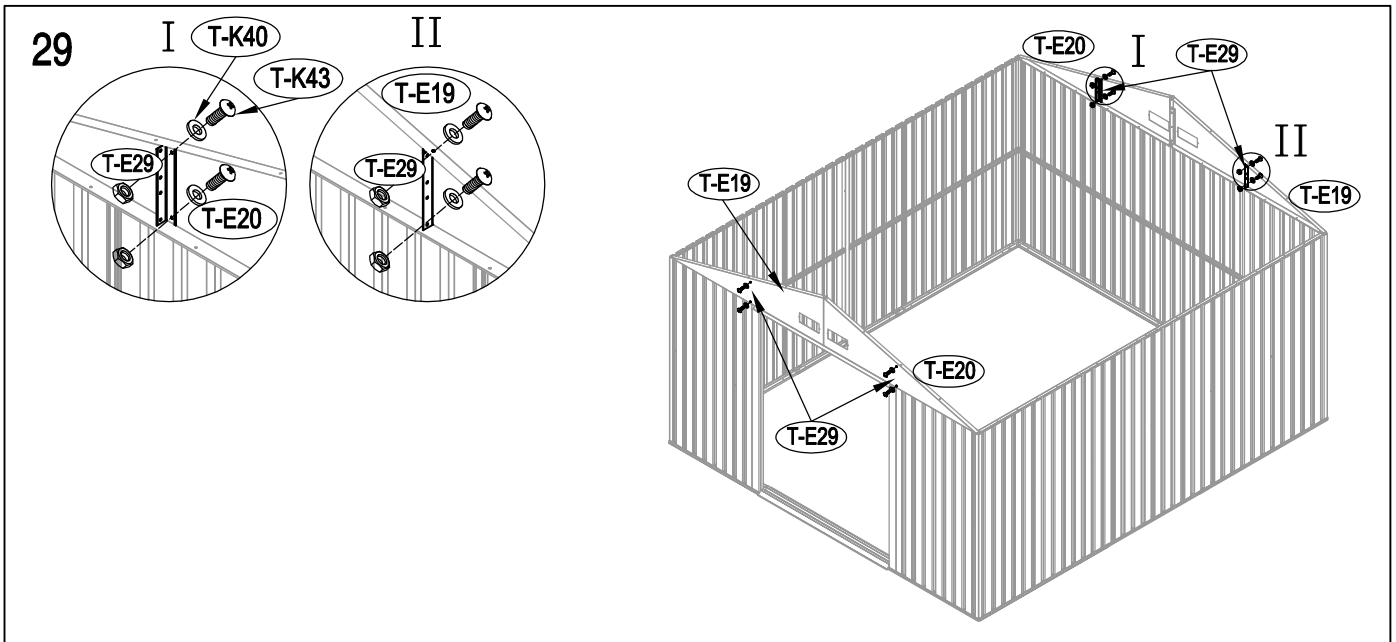
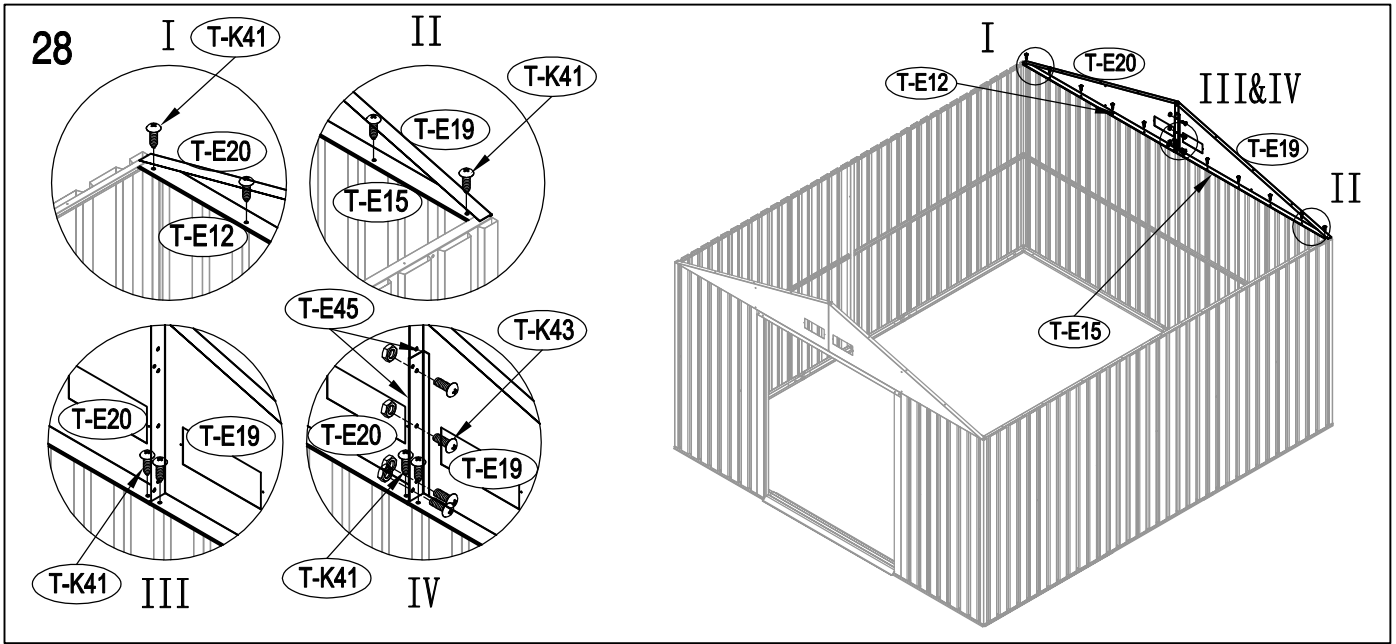


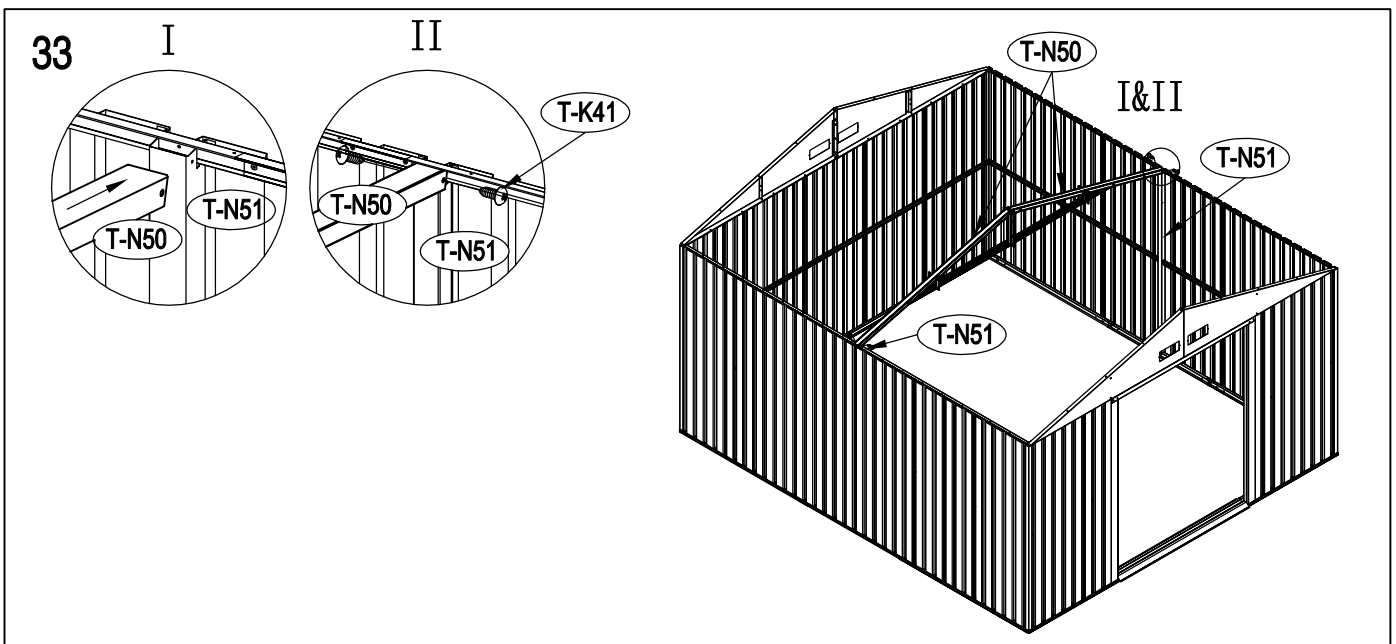
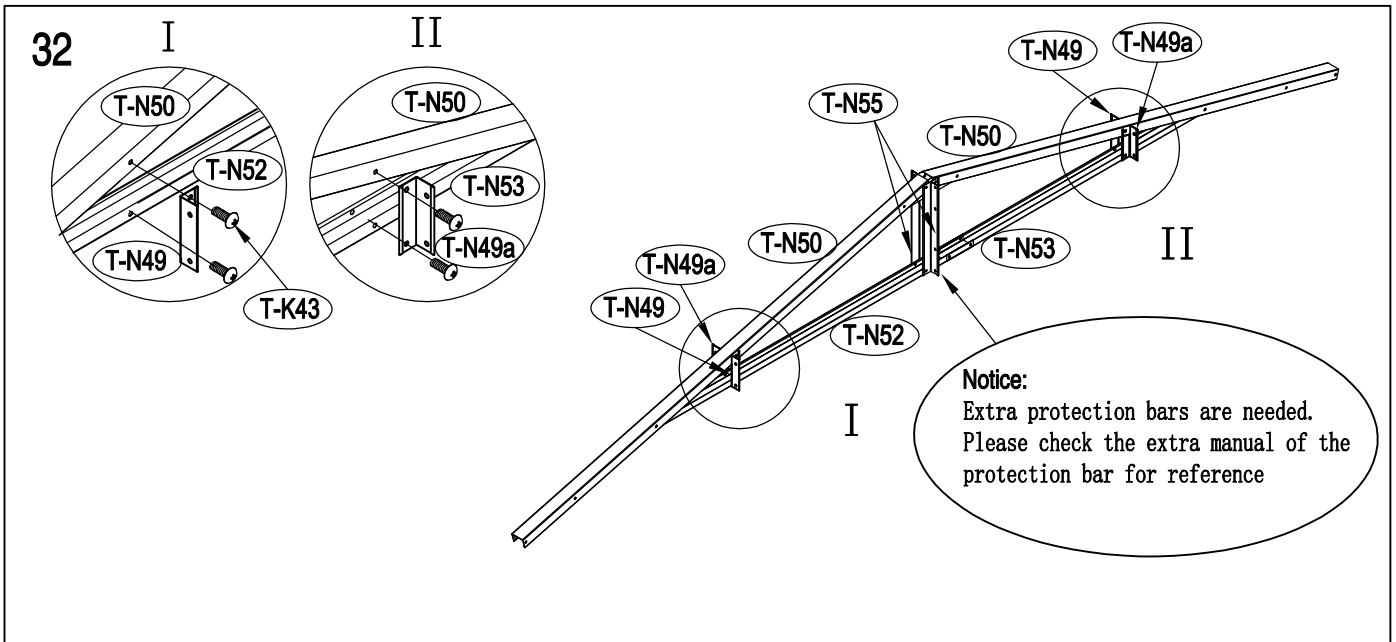
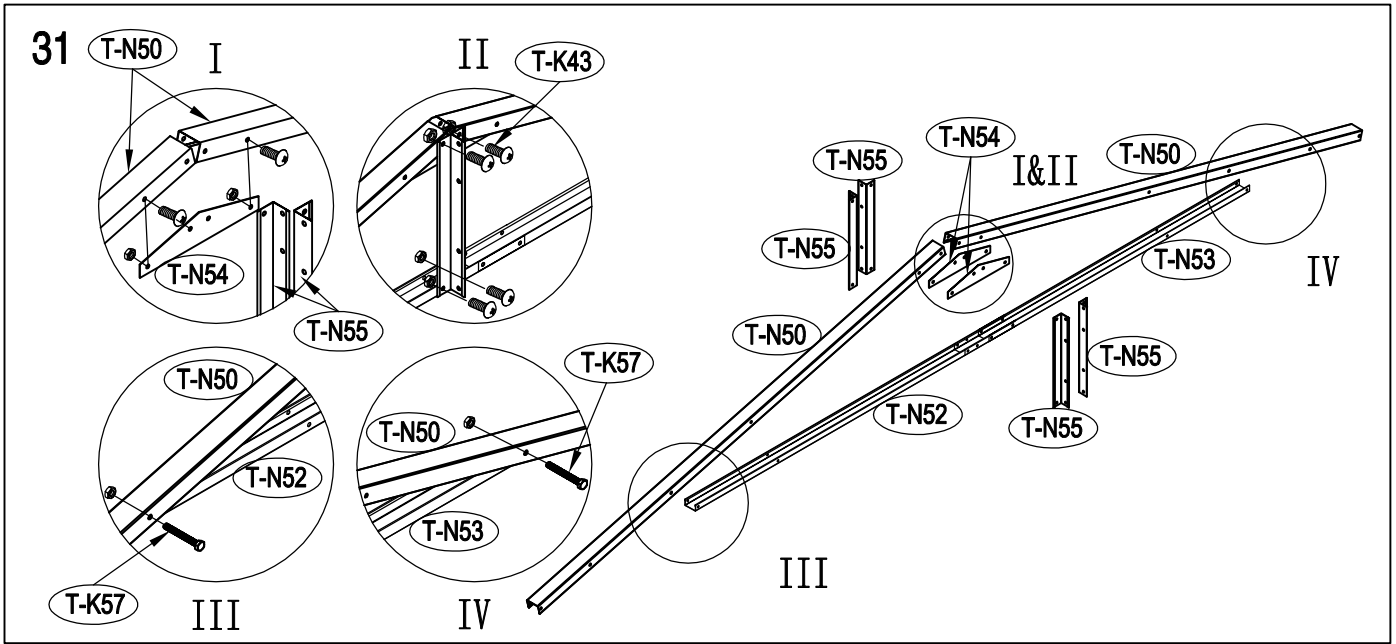




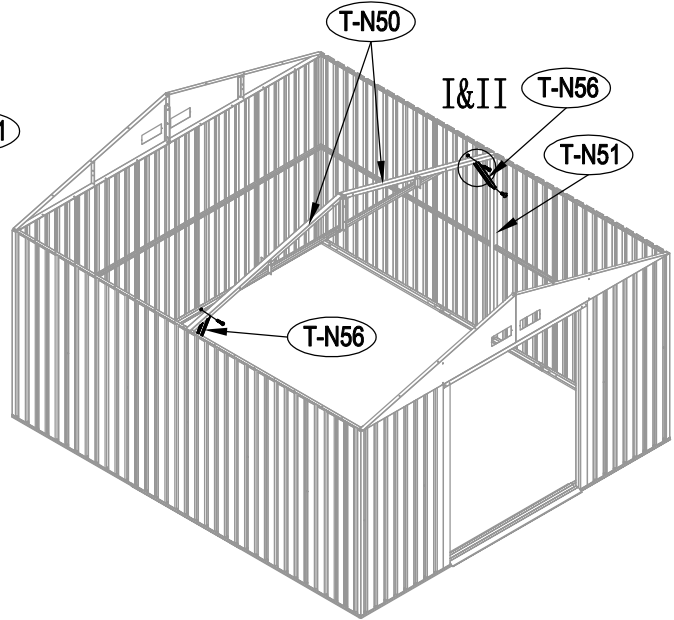
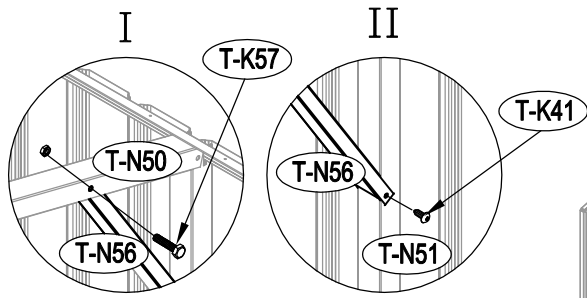




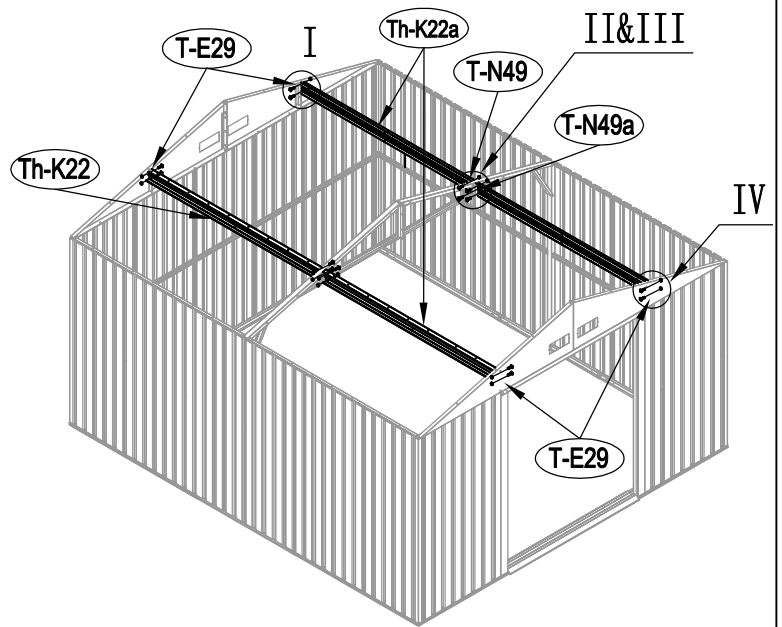
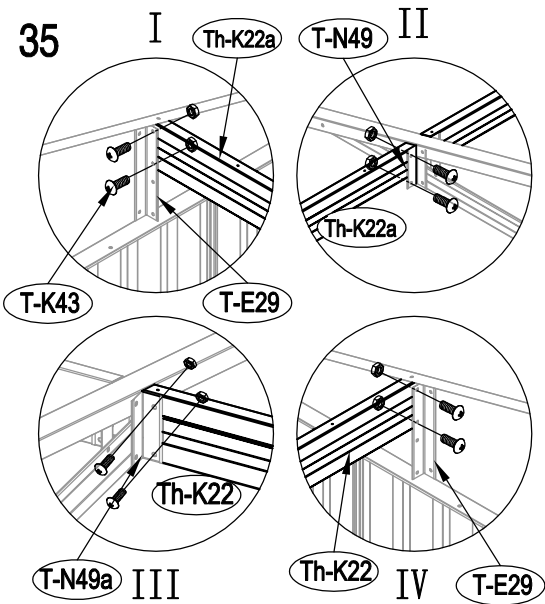




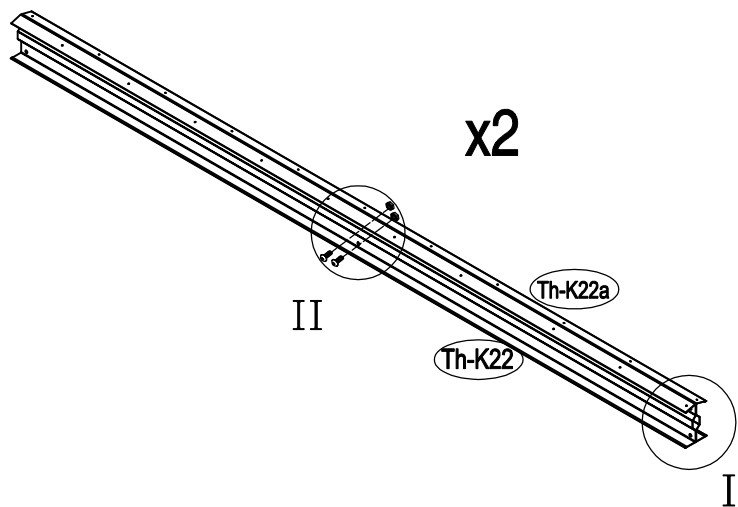
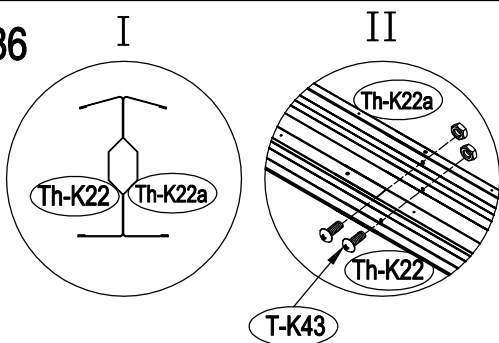
34

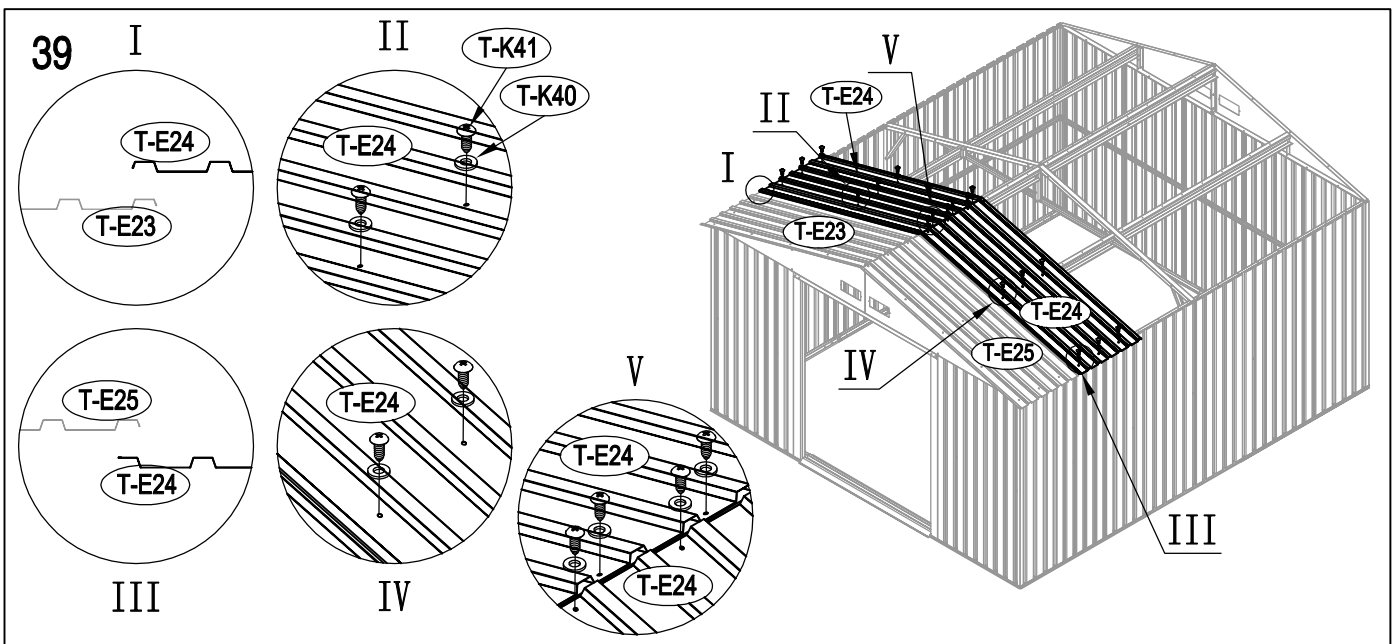
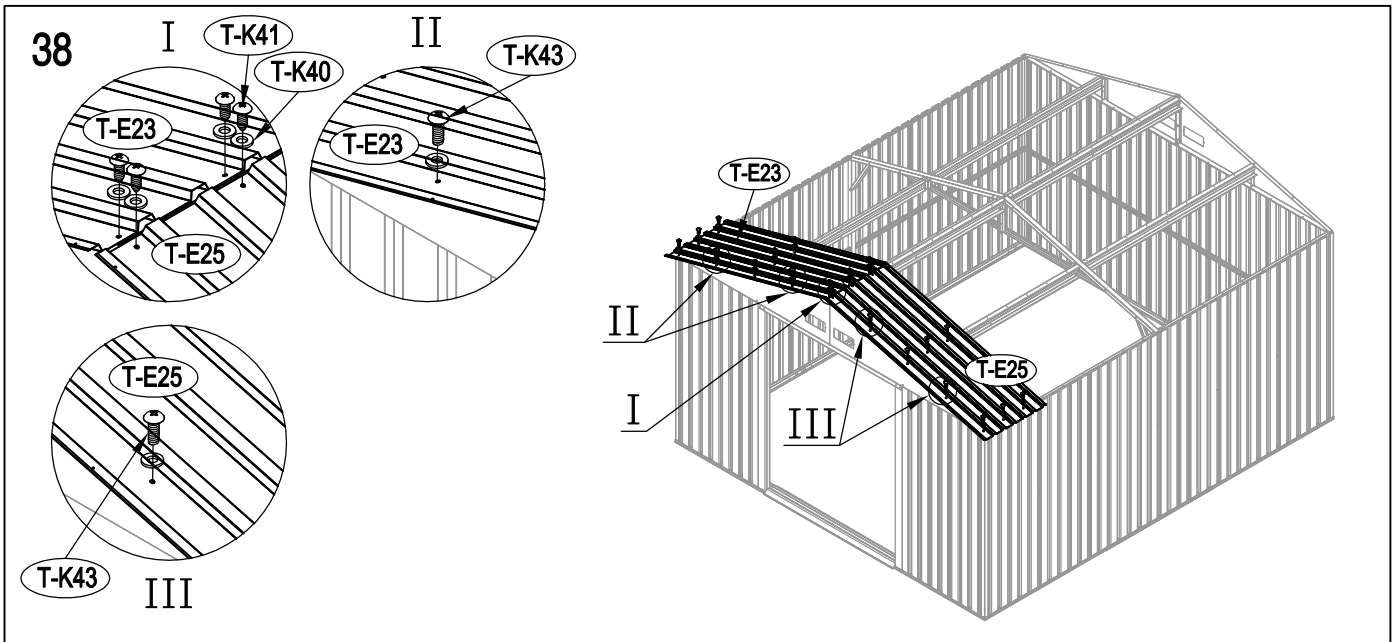
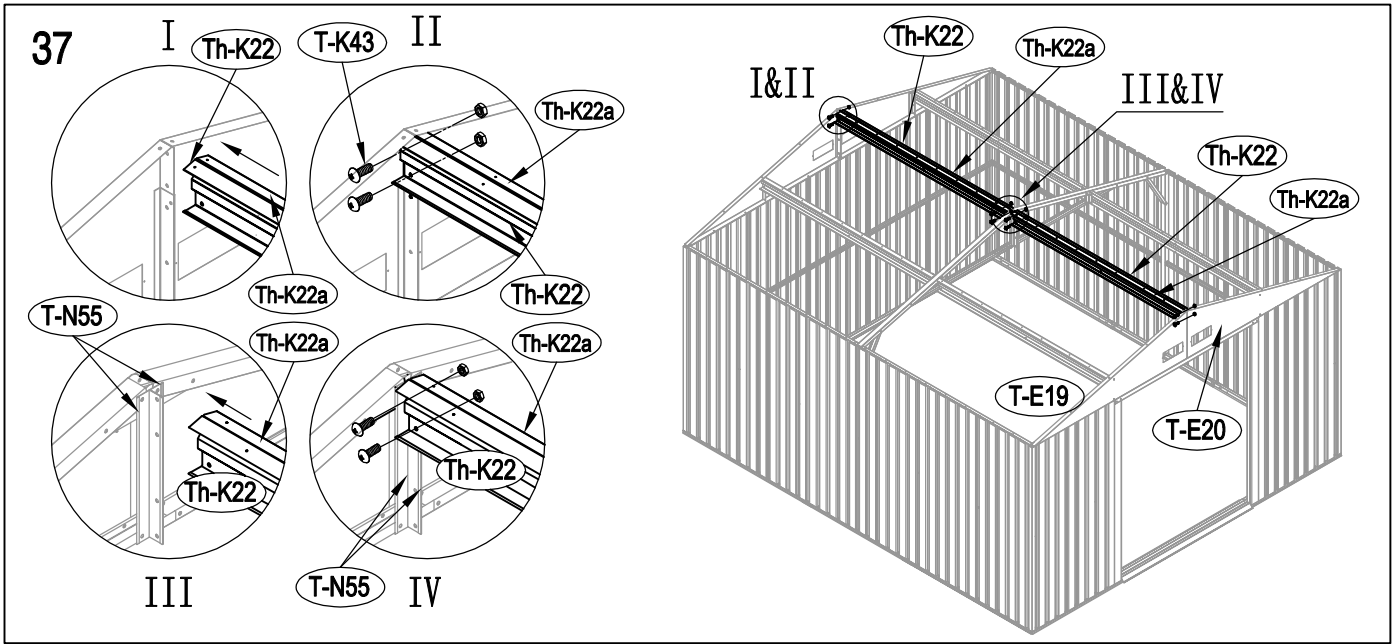


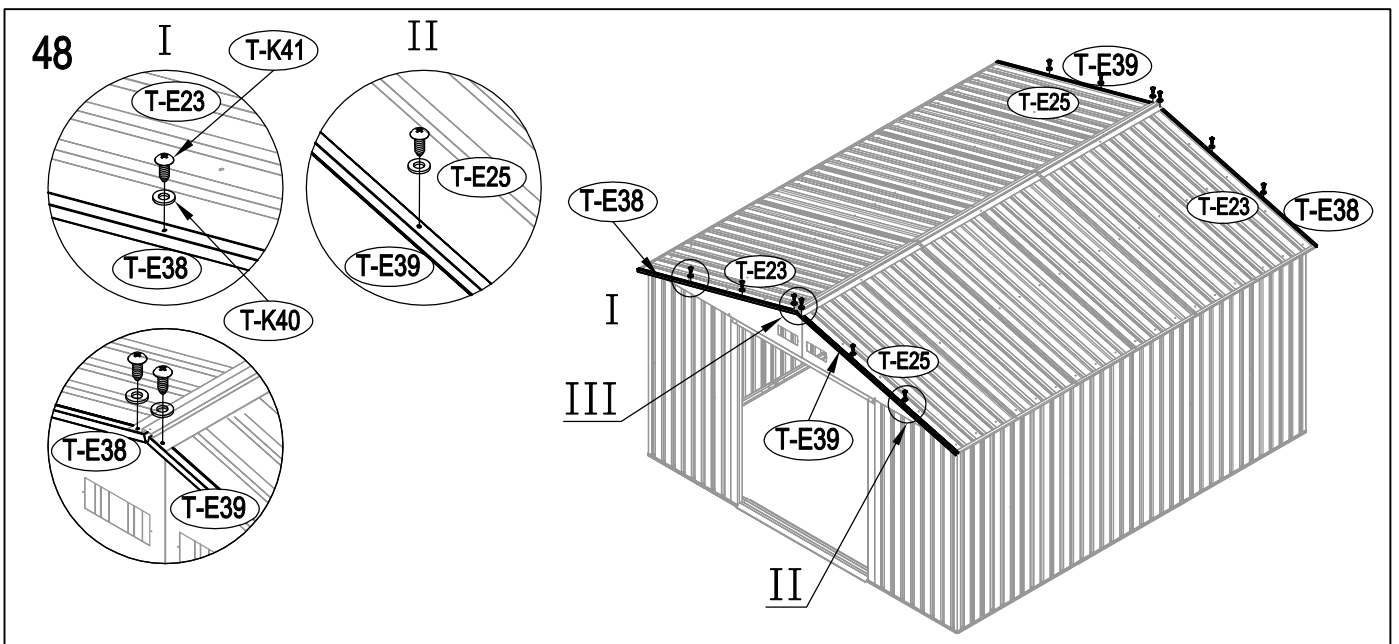
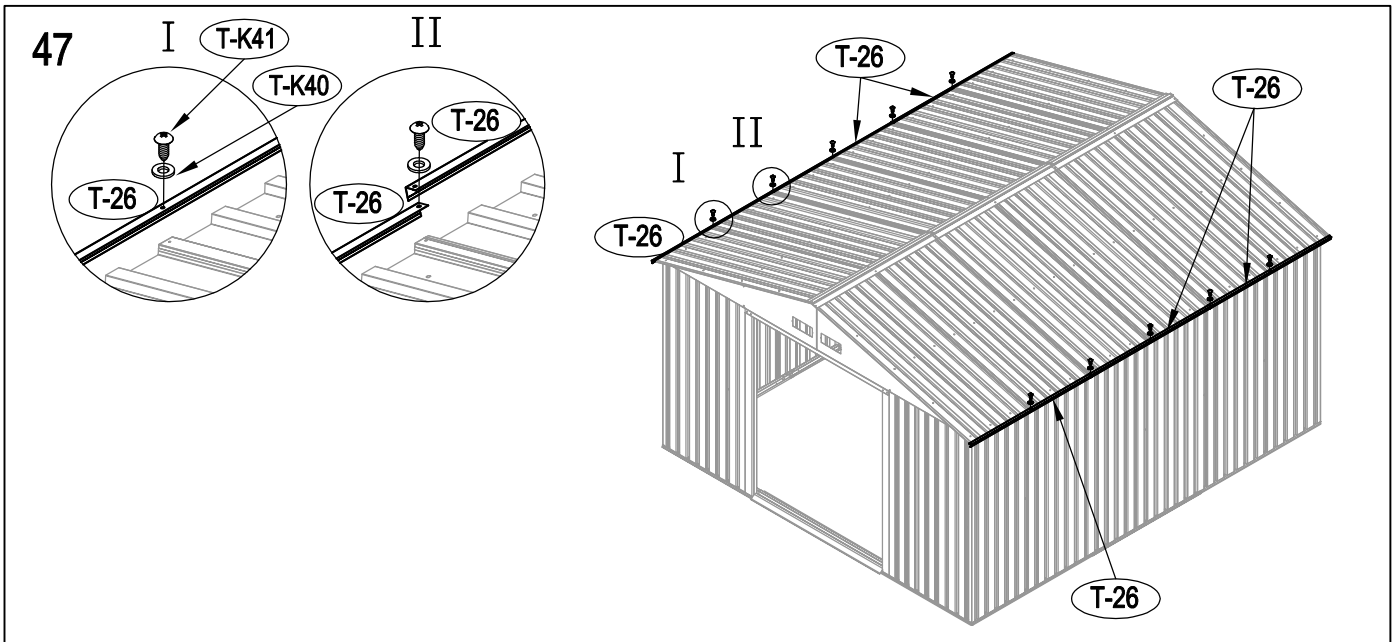
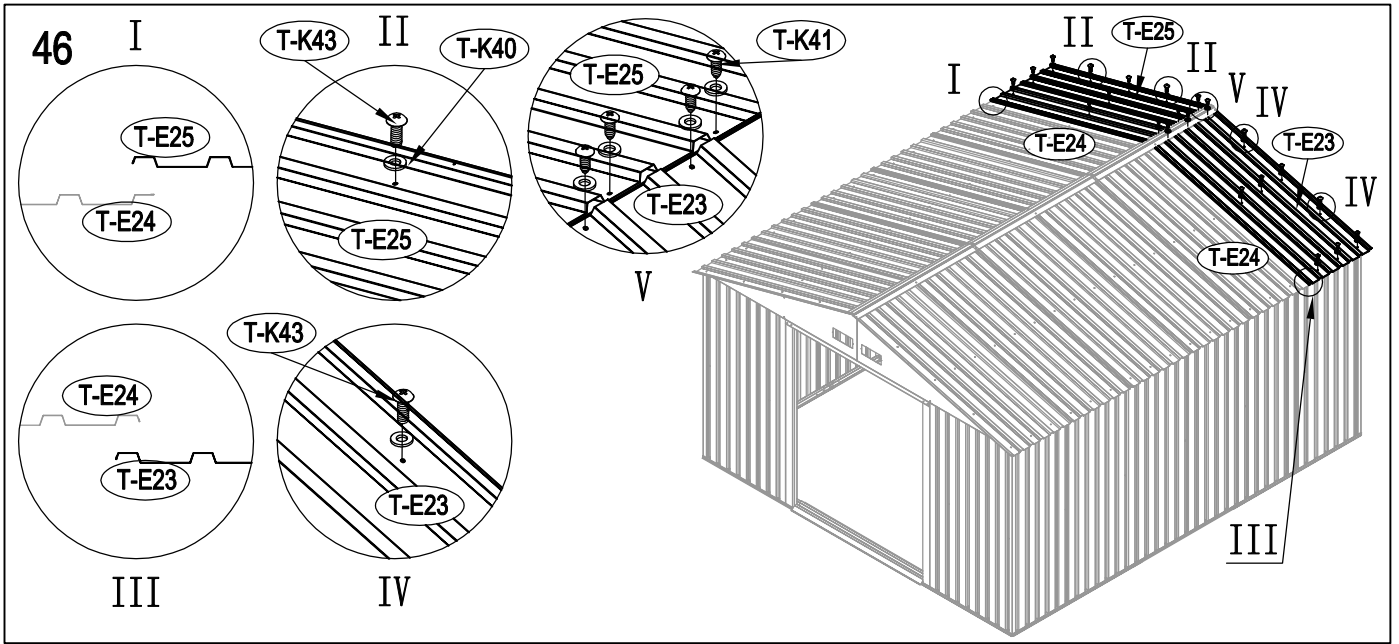
35

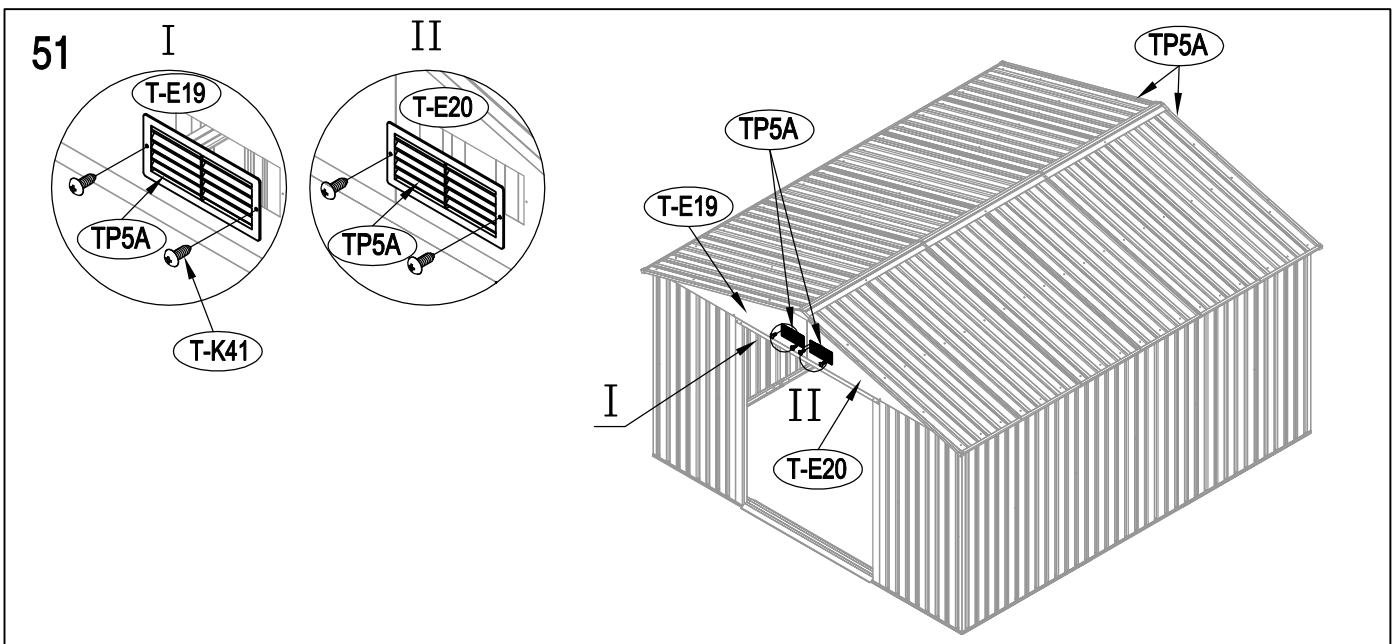
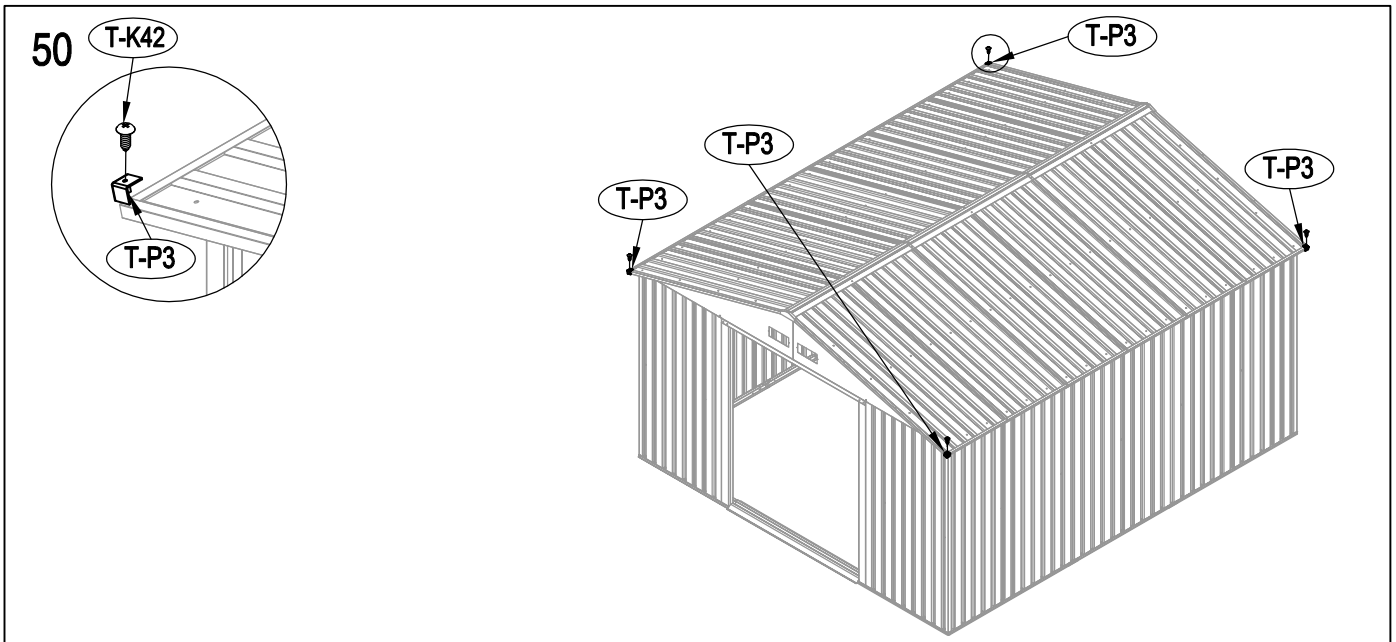
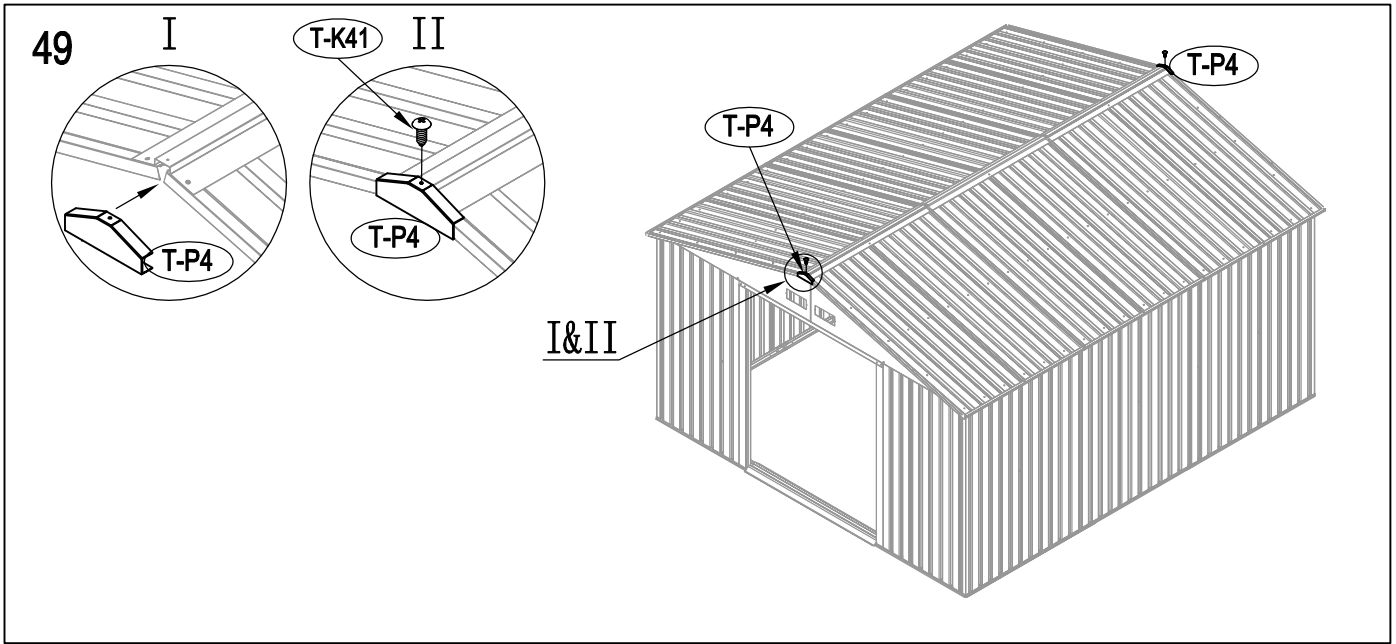


36

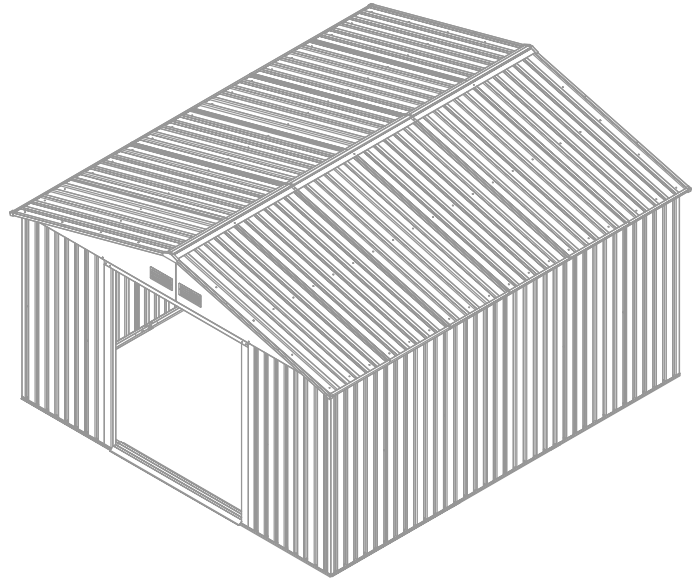
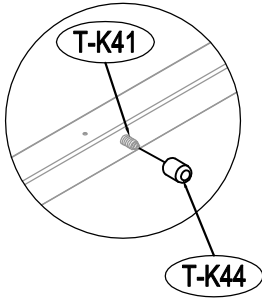








52



53

