

Heating Hot water Renewables

# Why Vaillant? Because we have over 20 years of experience in heat pumps





About Vaillant.....	4
Setting the standards.....	5
aroTHERM plus heat pump.....	8
aroTHERM split heat pump.....	12
uniTOWER integrated hot water solution.....	14
flexoTHERM multi-source heat pump.....	16
aroSTOR domestic hot water heat pump.....	18
uniSTOR cylinders.....	20



uniSTOR accessories.....	25
Large capacity uniSTOR.....	26
Types of controls.....	27
Service and spares support.....	33

Please note the information contained in this guide is for the use of competent and qualified heating engineers in the UK. We always recommend attending a training course provided by Vaillant to ensure complete knowledge of the appliance and/or accessories you are installing. The Vaillant Group does not warrant the accuracy or completeness of any of the information provided in this brochure. Should you require any clarification or further information, please speak with your Regional Business Manager or call our technical helpline. The Vaillant Group does not accept liability or responsibility resulting from the installer's failure to comply with the guides or otherwise. For more detailed information, please refer to the installation manual for each product you are using.

# About Vaillant



## The Vaillant Group

Vaillant UK is proud to be part of the worldwide heating and hot water corporation Vaillant Group, a family-owned business that was founded by Johann Vaillant in his workshop in Remscheid, Germany in 1874.

Over 150 years ago, Johann patented a new closed-system gas-fired bathroom boiler which was the first heating product manufactured by Vaillant. Through the years, Vaillant's technical innovations have continued. We launched a central heating boiler in 1924 which was marketed alongside the classic gas-fired water heaters. It was the beginning of central heating as we know it today. And, in 1967 'Combi Geyser' was launched which combined central heating and hot water supply for the first time ever.

Since these revolutionary inventions, Vaillant has continued to drive the evolution of heating technologies. In 2020, Vaillant launched the first air source heat pump using R290 refrigerant, the game-changing aroTHERM plus. At Vaillant, we consistently create new cutting-edge products, while always striving to put our customers first. Our continued support in the gas boiler market includes the next generation ecoTEC plus, which is designed for ease of installation, and incorporates digital technology to ensure maximum efficiency for the end user.

Today, Vaillant is still setting the standard in the heating industry, focused on delivering full heating system solutions that will stand the test of time, whilst supporting installers, specifiers and commercial partners for life. Through developing highly efficient heating appliances, digital heating solutions and providing excellent training offerings that are truly crafted with our customers' needs at heart.

# Setting the standards since 1874

### Manufacturing at its finest

By choosing our heating appliances, you will get an unwavering commitment to deliver the high standard of products and services that you expect from Vaillant.

In 2025, we opened our second manufacturing plant close to our Belper headquarters in Derbyshire to support the growing heat pump market. Our continuous investment in the UK not only supports the local economy but reinforces our commitment to developing low carbon technology.

Our two manufacturing sites have state-of-the-art facilities that produce our market leading products and we are proud to have been awarded the RoSPA Gold Award for world-class health and safety management systems every year since 2016 at our Belper site. Vaillant has exceptionally high standards in manufacturing to ensure we make outstanding, reliable products that meet ISO 9001, 18001 and 14000.





### Why Vaillant?

Vaillant has been setting the standard in the heating market since 1874 by continually developing products that revolutionise the industry. Today, our innovative solutions are still setting the standard in the heating marketplace. We have produced a comprehensive range of renewable technologies designed to use sustainable sources of energy.

Our products are at the very forefront of technology and deliver on the Vaillant promise to 'think ahead', safeguarding our planet for future generations whilst delivering energy efficient products that can reduce the cost of providing heating and hot water to the home as well as reducing the impact on the environment by reducing carbon emissions.

Every product developed by Vaillant is routinely subjected to rigorous materials analysis, robustness testing, lifetime testing and acoustics analysis. This meticulous and unremitting commitment to quality is evident at every stage in the product development process, which is applied to every spare part that we sell.

Vaillant has invested heavily in the research and development of heat pumps. In 2018, Vaillant opened the Johann Vaillant Technology Center at its headquarters in Remscheid, Germany. Over 54 million euros were invested in the research and development facility. The aim is to enhance the market position of high-efficiency, low carbon technologies such as heat pumps, develop additional international markets, further extend the portfolio of digital services, and secure long-term profitable growth.

Furthermore, we are committed to finding new and ever more imaginative ways to provide service excellence before, during and long after the installation of Vaillant appliances. We strongly believe that the most advanced heating solutions on the market demand the most forward-thinking service solutions - that is why we pride ourselves on our unrivalled service support.

# Setting the standard

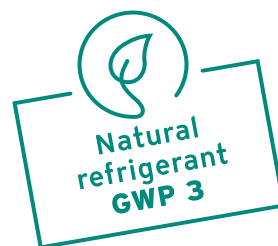


## Natural refrigerant R290 in heat pumps

Setting new standards in the heating market has been Vaillant tradition for years. With the launch of the award winning aroTHERM plus in 2020, Vaillant set the benchmark by introducing the natural refrigerant R290 to our heat pump range. It has clear advantages over alternative refrigerants: approximately 75% less filling quantity is needed; it has low Global Warming Potential\* (GWP) and provides significant product benefits for your customers. Using R290 means Vaillant heat pumps can achieve a high flow temperature of up to 75°C if required. Setting the flow to this maximum temperature for hot water means that an electric immersion heater for legionella protection isn't necessary.

## What is R290?

It's the technical name for the natural refrigerant also known as propane. R290 is already commonly used in many parts of our daily life, such as in refrigerators, air conditioning or even hairspray - Vaillant was one of the first companies to introduce this refrigerant in heat pumps.



## \*What is Global Warming Potential (GWP)?

GWP is a comparative value that indicates the greenhouse effect of a greenhouse gas, such as a refrigerant, if it were to be released into the environment. The higher the value, the worse the impact on the climate.

## Example GWPs of some refrigerants:

CO <sub>2</sub>	1
R290	3
R32	675
R410A	2,088

The value indicates the amount of CO<sub>2</sub> which has an equal global warming effect. To calculate the CO<sub>2</sub> impact of a refrigerant, the amount contained in the heat pump is multiplied by its GWP value.

R290 brings unbeatable benefits to our heat pumps:

- Improved SCoP of up to 5.03 for lower running costs
- Flow temperatures of up to 75°C from the heat pump are achievable
- Higher hot water comfort and legionella protection without back-up heater
- Low GWP of 3 - exceptionally eco-friendly
- Stable service costs over product life cycle



## Example calculation

### R410A

1.8 kg of R410A x 2,088 GWP  
= **3,760 kg CO<sub>2</sub>**

### R290 (aroTHERM plus)

0.6 kg of R290 x 3 GWP  
= **1.8 kg CO<sub>2</sub>**

# aroTHERM plus

Air source heat pump



## Overview

The aroTHERM plus is our flagship air source heat pump range, available in a wide range of heat output sizes for many types of property with 3.5, 5, 7, 10 and 12kW models available.

This heat pump continues to win awards around the world for its innovative use of the refrigerant R290, which gives it a Global Warming Potential (GWP) of just 3. This refrigerant is already used in household appliances all over the world and offers many advantages over refrigerants traditionally used in heat pumps. Coupled with market leading technical features that improve efficiency and deliver higher flow temperatures, the aroTHERM plus is perfect for new and existing heating systems (including hybrid). All aroTHERM heat pumps are impressively quiet in operation and has been certified by Quiet Mark, making them suitable for use even in densely built-up terraced housing estates.

## Features & benefits



### High performance ASHP range

With a flow temperature of up to 75°C, the aroTHERM plus can deliver more usable hot water with high hot water comfort levels whilst removing the need for direct electric immersion to sterilise the water, protecting from legionella.



### Super quiet operation

From just three metres away, the acoustic pressure level is less than 30 dB(A) for easier planning and siting.



### Higher energy-efficiency performance

With a SCoP of up to 5.03, the aroTHERM plus is extremely energy efficient, enabling high energy savings against certain fossil fuels.



### R290 natural refrigerant with low GWP

Already fulfilling the next NZEB requirements, the aroTHERM plus uses monobloc technology with a hermetically sealed refrigerant circuit.



### Fully adaptable system approach

The aroTHERM plus can also be combined with photovoltaic systems and integrated into smart power grids (SG-ready), so your customers can enjoy the benefits of variable electricity tariffs.



### Quality by design

Suitable for coastal installations with salt resistant construction C5 class.

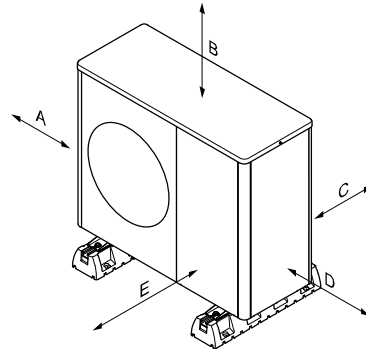
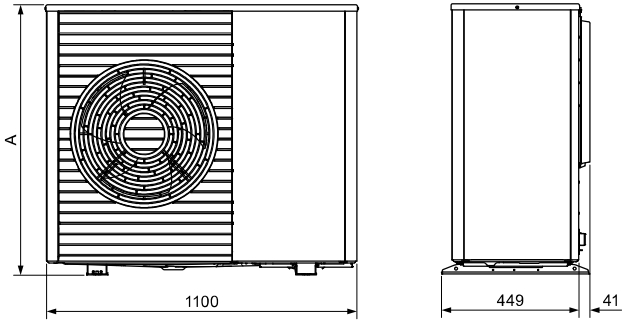


Technical data	Unit	3.5kW	5kW	7kW	10kW (230V)	12kW (230V)	10kW (400V)	12kW (400V)	
<b>General</b>									
Dimensions (H x W x D)	mm	765 x 1,100 x 450		965 x 1,100 x 450	1,565 x 1,100 x 450				
Weight, ready for operation	kg	114		128	194		210		
Connection, heating circuit		G 1 1/4"							
Rated voltage		230 V (+10%/-15%), 50 Hz, 1~/N/PE					400 V (+10%/-15%), 50 Hz, 3~/N/PE		
Rated current, maximum	A	14.3		15.0	23.3		15		
Fuse size	A	16			25		16		
Fuse type		Characteristic C, slow-blow, singlepole switching							
RCD type		Type B rated to 20kHz or greater and with a minimum trigger point of 150mA above 1kHz							
eBUS (2-core communication cable)	mm <sup>2</sup>	0.75							
Maximum length eBUS cable (polarity sensitive)	m	50							
IP rating		IP 15 B							
Fan power consumption	W	40			50				
Fan quantity		1			2				
Fan air flow, maximum	m <sup>3</sup> /h	2300			5100				
Heating pump, power consumption	W	2 - 50			3 - 87				
<b>Heating circuit</b>									
Heating water temperature, minimum/maximum	°C	20 - 75							
Basic length of the heating water pipe, maximum, between the outdoor unit and indoor unit	m	20							
Maximum static height difference between outdoor unit and the highest point in the heating system	m	18			13				
Minimum operating pressure	bar	3.0			2.5				
Maximum operating pressure	bar	20							
Minimum volume flow	l/h	400		540	995				
Maximum volume flow	l/h	860		1205	2065				
Water volume, in the outdoor unit	l	1.5		2.0	4.5				
Minimum open water volume	l	15		20	45				
<b>Refrigerant circuit</b>									
Fluid type		R290							
Fluid fill quantity	kg	0.6		0.9	1.3				
Refrigerant, Global Warming Potential (GWP)		3							
CO <sub>2</sub> equivalent	t	0.0018		0.0027	0.0039				
Permissible operating pressure	bar	31.5							
Compressor type		Rotary piston			Scroll compressor				
Compressor oil type		Specific polyalkylene glycol (PAG)							
Compressor, control		Electronic							
<b>Noise emissions, heating mode</b>									
Sound power, EN 12102, EN 14511 LWA, A7/W35	dB(A)	48		49	51				
Sound power, EN 12102, EN 14511 LWA, A7/W55	dB(A)	48		49	51				
<b>Efficiency</b>									
Energy efficiency class 35°C	(A+++ to F)	A++		A+++					
Energy efficiency class 55°C	(A+++ to F)	A+		A++					
<b>Combination with uniTOWER</b>									
Energy efficiency class	(A+++ to F)	A+		A++					

\* 490mm (including back plate and mounting brackets).

\*\* 400v models 10 and 12kW only.

**Dimensions and clearances**

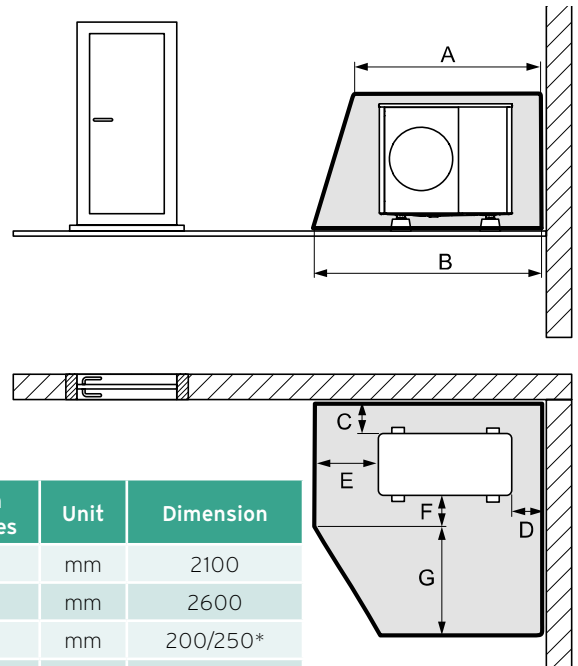
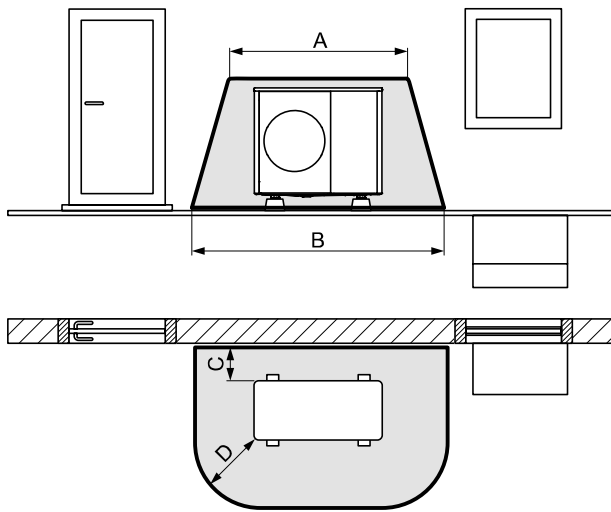


aroTHERM plus	Unit	Dimension A
3.5kW	mm	765
5kW	mm	765
7kW	mm	965
10kW	mm	1565
12kW	mm	1565

minimum clearances	Unit	Heating mode	Heating and cooling mode
A	mm	100	100
B	mm	1000	1000
C	mm	200	250
D	mm	500	500
E	mm	600	600

**R290 clearances**

Clearances required for any drains, light wells or other openings.



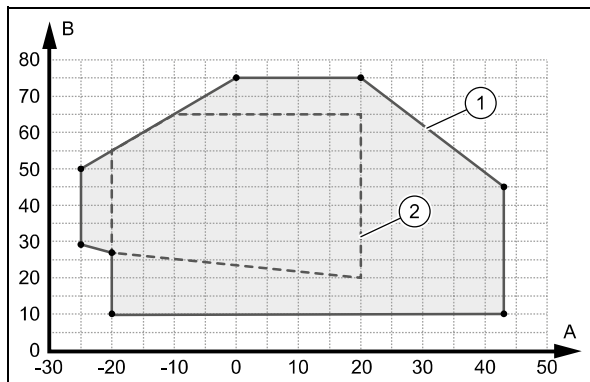
Minimum clearances	Unit	Dimension
A	mm	2100
B	mm	3100
C	mm	200= heating only 250 = heating and cooling
D	mm	1000

Minimum clearances	Unit	Dimension
A	mm	2100
B	mm	2600
C	mm	200/250*
D	mm	500
E	mm	1000
F	mm	500
G	mm	1800

\* 200 = heating only  
250 = heating and cooling

### Application limits heating mode

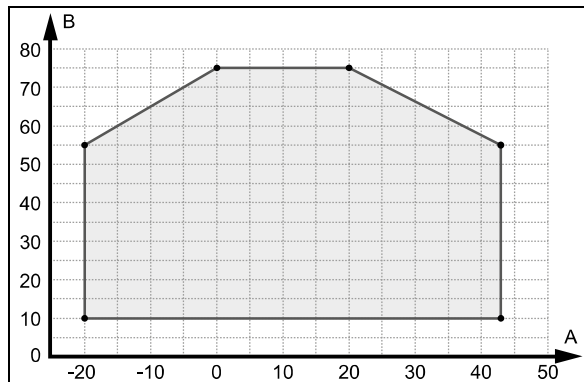
In heating mode, the product works at outdoor temperatures of -25°C to 46°C.



- |   |                           |   |  |
|---|---------------------------|---|--|
| A | Outdoor temperature       | 1 | Application limits, heating mode                 |
| B | Heating water temperature | 2 | Area of application, in accordance with EN 14511 |

### DHW mode

For domestic hot water generation, the product works at outdoor temperatures of -20°C to 46°C.



- |   |                     |   |                           |
|---|---------------------|---|---------------------------|
| A | Outdoor temperature | B | Heating water temperature |
|---|---------------------|---|---------------------------|

# aroTHERM split

Air source heat pump



## Overview

The aroTHERM split has been designed for quick and flexible installation. aroTHERM split consists of two modules, an indoor wall-mounted unit and an outdoor unit. The heat pump has various output sizes to cater for different types of property, with 3.5, 5, 7, 10 and 12kW models available. Heat pump outputs are sized for the heating requirement of the individual property which is why they have smaller outputs than combi boilers (which focus on hot water heating).

The aroTHERM split is extremely quiet. From just three metres away, the acoustic pressure level is less than 30 dB(A). All aroTHERM heat pumps are impressively quiet in operation and are Quiet Mark certified. To get the best performance out of your heat pump, a system approach is required to ensure that all elements of your customers property work in harmony.

## Features & benefits



### Easy installation

Designed with improved transport and handling so it can be installed and commissioned in one day.



### Sound Safe System

Quiet Mark certified, providing exceptionally quiet operation and allowing flexible siting options.



### A+++ ErP rating

Highly efficient for lower running costs.



### Standard footprint

All outputs have the same footprint for simplified specification and installation.



### App based proprietary control measure

With installation wizard for easy set-up and weather compensation as standard, all controlled via a smartphone.



### Pre-charged 15 metre pipe

The outdoor unit can be discreetly installed, wall-mounted or floor-standing, depending on the household's outdoor space it can even be installed up to 25m away from your customers property.



### Flexible energy solution

Can link with other appliances such as solar PV to reduce running costs even further.

Technical data	Unit	3.5kW	5kW	7kW	10kW (230V)	12kW (230V)	10kW (400V)	12kW (400V)	
<b>General</b>									
Dimensions (H x W x D)	mm	765 x 1,100 x 450	965 x 1,100 x 450	1,565 x 1,100 x 450					
Weight, ready for operation	kg	92.2	106.3	162.2	181.5				
Connection technology, refrigerant pipe		Flared							
Rated voltage		230 V (+10%/-15%), 50 Hz, 1~/N/PE					400 V (+10%/-15%), 50 Hz, 3~/N/PE		
Rated current, maximum	A	11.5	14.9	21.3	13.5				
Fuse size	A	16		25		16			
Fuse type		Characteristic C, slow-blow, single-pole switching							
RCD type		Type B rated to 20kHz or greater and with a minimum trigger point of 150mA above 1kHz							
eBUS (2-core communication cable)	mm <sup>2</sup>	0.75							
Maximum length eBUS cable (polarity sensitive)	m	50							
IP rating		IP 15 B							
Fan power consumption	W	50							
Fan quantity		1		2					
Fan air flow, maximum	m <sup>3</sup> /h	2300		5100					
Heating pump, power consumption	W	2 - 50		3 - 87					
<b>Refrigerant circuit</b>									
Refrigerant pipe material	m	Copper							
Minimum basic length of refrigerant pipe	m	3							
Basic length of the refrigerant pipe with outdoor unit above indoor unit maximum	m	40							
Permissible height difference, outdoor unit above the indoor unit	m	30							
Basic length of the refrigerant pipe with indoor unit above outdoor unit maximum	m	25							
Permissible height difference, indoor unit above the outdoor unit		10							
Refrigerant pipe connection type		Flared							
Fluid type		R410A							
Fluid fill quantity	kg	1.5	2.39	3.6					
Refrigerant, Global Warming Potential (GWP)		2088							
CO <sub>2</sub> equivalent	t	3.13	4.99	7.5200					
Permissible operating pressure	bar	41.5							
Compressor type		Rotary piston							
Compressor oil type		Specific polyvinyl ether (PVE)							
Compressor, control		Electronic							
<b>Noise emissions, heating mode</b>									
Sound power, EN 12102, EN 14511 LWA, A7/W35	dB(A)	51	53	54	58	59	58		
Sound power, EN 12102, EN 14511 LWA, A7/W55	dB(A)	53	54		60				
<b>Efficiency</b>									
Energy efficiency class 35°C	(A+++ to F)	A+++	A++		A+++		A++		
Energy efficiency class 55°C	(A+++ to F)	A++	A++		A++		A++		

Note: Any Vaillant heat pump must be installed with a type B RCD rated to 20kHz or greater and with a minimum trigger point of 150mA above 1kHz.

# uniTOWER

Integrated hot water solution



## Overview

The uniTOWER contains an integrated 190 litre hot water cylinder and hydraulic components. It is pre-wired for fast and easy installation with the aroTHERM plus to give your customers a fully integrated heating system.

When used in combination with the aroTHERM plus, it will provide the necessary hot water performance your customers require. Alternatively, the wall-hung hydraulic station VWZ MEH 97 can also be combined with a matching hot water cylinder for a full heating system. This is where the small uniSTOR VIH RW 200 or uniSTOR exclusive VIH RW with 300 to 500 litres can support installation.

## Features & benefits



### Neat and compact system solution

The compact unit uniTOWER provides integrated expansion vessel, cylinder and diverter valve in a practical design where additional systems can be extended with a range of optimised accessories.



### Easy to service

uniTOWER offers straightforward installation and maintenance with all major components accessible from the front.



### The perfect DHW partner for aroTHERM plus

uniTOWER delivers a 25% higher DHW solution with >190 litres hot water per day (40°C).



### Installation wizard

Quick and easy guided set up with the Vaillant installation wizard.



### Safe and easy transportation

The split mounting concept of uniTOWER can be installed quickly and easily in 1 day by 2 people and makes transportation easy and installation possible in space restricted areas.



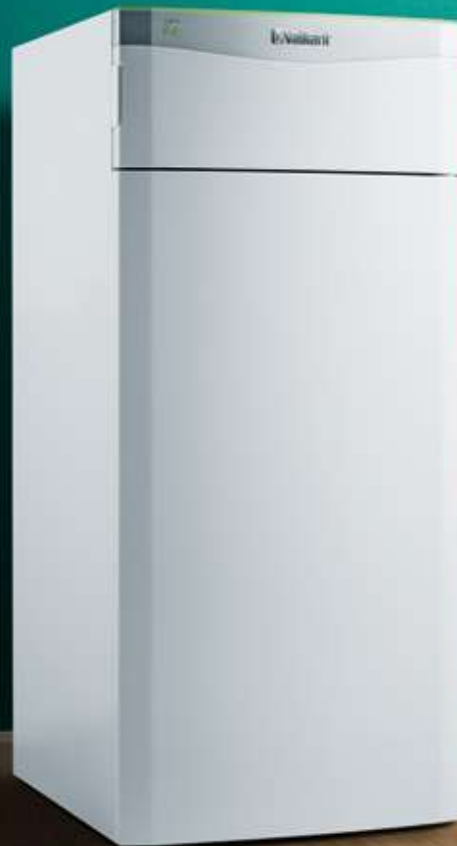
### High efficiency

Highly efficient delivering lower running costs with ErP rating of A++ for heating and A+ for DHW.

Technical data	Unit	uniTOWER plus (VIH QW 190 / 6)
Total storage cylinder capacity	l	185
Temperature hot water (maximum - with auxiliary heating)	°C	55 - 75
Dimensions, unpacked (H x W x D)	mm	1880 x 595 x 693
Weight, unpacked	kg	146
IP rating	B	10B
Auxiliary electric heater	kW	6kW (230V/50Hz)
Heating circuit connections	inches	G1
Heating source connections	inches	G 1 ¼
Rated power, maximum	kW	5.4
Rated current, maximum, 230V	A	23.5
Rated current, maximum, 400V	A	13.6
Minimum operating pressure	MPa	0.05 (0.50 bar)
Maximum operating pressure	MPa	0.2 (2.0 bar)

# flexoTHERM

Multi-source heat pump



## Overview

The flexoTHERM is a versatile heating system that uses heat pump technology to draw natural thermal energy into a building from either the ground, water or air. It comes in heat output sizes for many types of property, 5, 8, 11, 15 and 19kW models available.

The flexoTHERM modular system can be easily adapted. It can be: a ground source heat pump when connected to a ground loop; an air source heat pump when connected to an aroCOLLECT air source brine collector module, or; a water source heat pump when connected to the fluoCOLLECT module.

## Features & benefits



### 5-year guarantee available

The flexoTHERM comes with a 5-year guarantee as standard. Extended guarantee available when registered on Advance.



### More power, more efficiency

Integrated EVI super compressor, injects additional refrigerant into the compression cycle.



### Exceptionally quiet

With noise levels as low as a modern refrigerator - 42dB(A), flexoTHERM has been Quiet Mark certified (excludes 230V ranges).



### Ability to cascade up to seven flexoTHERM heat pumps

Suitable for larger domestic and commercial properties.



### Extended capabilities and flexibility

Modular design gives flexoTHERM greater sustainability and flexibility with accessories to enable connection to either air or water sources.



### ErP A+++ rating

ErP A+++ rated for both hot water and heating efficiency, when installed using sensoCOMFORT controls to lower your customers energy bills.

Technical data	Unit	5kW	8kW	11kW	15kW	19kW
Product dimensions (H x W x D)	mm	1183 x 595 x 600				
Weight, with packaging	kg	155	170	178	185	197
Weight, without packaging	kg	145	160	168	176	187
Weight, ready for operation	kg	151	167	175	187	200
<b>Electrical</b>						
Compressor/heating circuit rated voltage	V / Hz	3~/N/PE 400 / 50				
Control circuit rated voltage	V / Hz	1~/N/PE 230 / 50				
Auxiliary heater rated voltage	V / Hz	3~/N/PE 400 / 50				
Power factor		cos $\phi$ = 0.75 - 0.9				
Required network impedance Z <sub>max</sub> with inrush current limiter	$\Omega$	$\leq 0.472$				
Fuse type, characteristic C, slow-blow, three-pole switching (disconnection of the three mains connection lines in one switching operation)		Design in accordance with the selected connection diagrams				
Optional on-site residual-current circuit breaker		RCCB type A (type A pulse current sensitive residual-current circuit breakers) or RCCB type B (type B universal current sensitive residual-current circuit breakers)				
Inrush current (with inrush current limiter)	A	$\leq 15$	$\leq 19$	$\leq 22$	$\leq 26$	$\leq 30$
Maximum rated current	A	19.8	21.2	23.4	25.2	30.4
Max. electrical power consumption of auxiliary heater	kW	9				
Minimum electrical power consumption	kW	1.4	2.1	2.6	3.3	4.7
Maximum electrical power consumption	kW	11.5	12.8	14.1	15.6	17.8
IP rating		IP 10B				
Energy-related Products at 35°C	band	A+++*				
Energy-related Products at 55°C	band	A+++*				
<b>Hydraulic connection</b>						
Heating flow / return connection	BSP male	G 1½"				
Heat source flow / return connection	BSP male	G 1½"				
Central heating water expansion vessel	BSP male	G ¾"				
<b>Heat source circuit / brine circuit</b>						
Brine content of the brine circuit in the heat pump	l	2.5	3.1	3.6	4.5	5.3
Minimum operating pressure of brine fluid	bar	0.7				
Maximum operating pressure of brine fluid	bar	3				
Maximum electrical power consumption, brine circuit pump	W	76	76	130	310	310
<b>Heating circuit / building circuit</b>						
Minimum heating circuit operating pressure	bar	0.7				
Maximum circuit operating pressure	bar	3.0				
Minimum heating mode flow temperature	°C	25				
Minimum cooling mode flow temperature	°C	5				
Maximum heating mode target flow temperature without auxiliary heater	°C	65				
Maximum heating mode target flow temperature with external auxiliary heater	°C	75				
Maximum electrical power heating circuit pump	W	63			140	

\* Reported efficiency when used with VRC 700 / VRC 720 control.

# aroSTOR

## Domestic hot water heat pump



### Overview

The aroSTOR range of domestic hot water heat pump cylinders include 200 and 270 litre models. It is perfect for additional hot water requirements as a direct replacement for standard cylinders in smaller houses or multi-tenanted buildings, such as blocks of flats.

This heat pump cylinder is incredibly efficient and sustainable, using thermal energy to heat hot water. This thermal energy can be collected via an external air duct, or it can recycle hot air from within the room where it's installed, provided there is sufficient ventilation. The only other energy needed is the electricity to run the appliance.

### Features & benefits



#### Highly energy efficient and reliable

Highly efficient heat pump cylinder with the best possible ErP label of A+.



#### High quality material and components

The stainless steel tank comes with a 5-year guarantee (2 years for other components).



#### Extremely quiet operation

Extremely quiet in operation with additional insulation and use of rubber to lower sound levels even more.



#### Hot water on demand

A small footprint and range of 360° air duct accessories offers flexible options for siting of the appliance.



#### 1.2 kW titanium electrical back-up heater

Automatically manages your hot water comfort levels with electrical back up heater for hot water boost (and Legionella protection).



#### Easy to control

aroSTOR heat pumps cylinders come with their own control fixed to the unit. This is a simple turn dial and push button control that has been specifically designed for the aroSTOR.

Technical data	Unit	200	270
<b>Dimensions</b>			
Nominal capacity	L	197.5	269
Product dimensions, height	mm	1458	1783
Product dimensions, outer diameter	mm	634	
Weight, with packaging	kg	75	88
Weight, without packaging (cylinder empty)	kg	55	68
Weight, ready for operation (cylinder full)	kg	255	338
<b>Technical data - General</b>			
Cylinder material		Stainless steel	
Heat insulation		Polyurethane foam 50 mm	
Type of electric heater		Immersion / Ti	
Refrigerant type	Refrigerant type	R290	
Refrigerant volume	kg	0.15	
Minimum permitted air temperature	°C	-7	
Maximum permitted air temperature	°C	45	
Sound power level LpA (V1/V2)	dB(A)	40 / 43	
Sound power level LWA (V1)	dB(A)	50 / 52	
Heat-up time (environmental air temperature: 7°C, extraction cycle: L)	h	6.57	9.26
Thermal losses 55°C	kW/24H	1,61	1,77
DHW temperature range (HP only)	°C	30 to 60	
Maximum temperature of DHW HP inlet domestic water	°C	70	
Minimal air flow range	m³/h	320	
Nominal air flow range	m³/h	350	
Maximum air flow range (non ducted)	m³/h	400	
Maximum hot water temperature (HP + back up heater)	°C	70	
Maximum cold inlet pressure	mPa / bar	0.6 / 6	
Expansion vessel pre-charge	mPa / bar	0.3 / 3	
Expansion valve pressure setting	mPa / bar	0.6 / 6	
Maximum pressure of the T&P relief valve	mPa / bar	0.7 / 7	
Maximum temperature of the T&P relief valve	°C	90	
Length of the T&P valve probe	mm	900	1245
Kiwa certification number		1906704/AMD1	
<b>Electrical</b>			
Maximum electrical power consumption of compressor and auxiliary heater	W	1900	
Maximum power consumption compressor only	W	700	
IP rating		IPX4	
Voltage of the product's power supply	V	230	
Frequency of the product's power supply	Hz	50	
Maximum fuse size	A	13	
Maximum amperage of the power supply circuit	A	8	
Length of the electrical cable supplied	M	1.5	
Nominal heat output of the electric back-up heater	kW	1.2	
<b>Connections</b>			
Connections for the hot water circuit	Inch	¾ male	
Connections T&P valve	Inch	½ female	
Connections air duct	mm	160	
Maximum flexible air duct length	M	10	
Maximum rigid air duct length	M	20	
Minimum clearance around cylinder	mm	25	
Minimum distance at front of cylinder	mm	300	
Minimum distance above cylinder	mm	300	

# New uniSTOR slimline cylinders

## High recovery range



### Overview

Manufactured in Derbyshire specifically for the UK market, our new range of high recovery slimline cylinders provides the ultimate performance and reliability. The high-quality, stainless-steel uniSTOR cylinders are available in a wide range of capacities, from 90 to 210 litres, offering various options for both heat pump and boiler installations.

Designed with simplicity and ease of installation in mind, our pre-plumbed models reduce installation time, while the internal expansion vessel and our brand-new purpose-designed buffer reduces product footprint and allows for more flexible siting.

### Features & benefits



#### 25-year guarantee

2-year guarantee on the parts and labour plus 25-year guarantee for the cylinder shell, giving you and your customers total peace of mind.



#### Pre-plumbed options available

Reducing installation time.



#### Internal expansion vessel

Quick to install, the neater appearance maximises space in tight installation spaces.



#### Support and knowledge from Vaillant

QR codes provide a range of tutorial videos to successfully support installation and maintenance.



#### Improved reheat times and system efficiency

Large coil surface area maximises heat transfer to ensure connected Vaillant systems run at their optimum efficiency, reducing running costs with increased hot water performance.



#### Front facing connections and pipework

Easy to connect pipework when working in tight spaces reducing time during installation.



#### Labelled connections for simplicity

Easy-to-recognise, giving onsite guidance for installation and maintenance.



#### Capacities suitable for all customers and property requirements

Slimline range available in outputs from 90 to 210 litres.

# uniSTOR pure

High recovery slimline cylinder  
with external expansion vessel

Coming soon:  
A new range of  
standard diameter  
cylinders

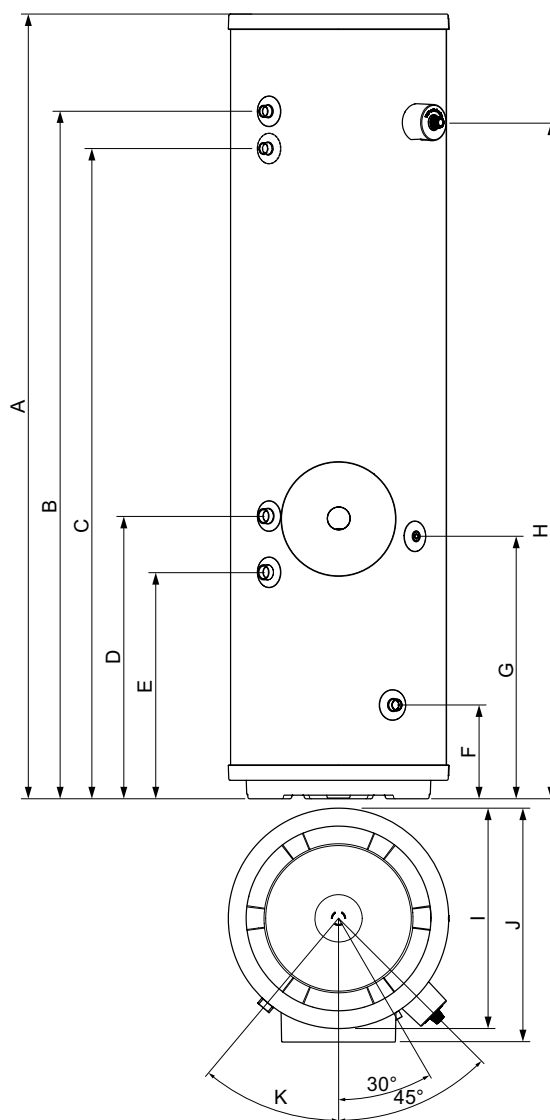


Technical data	Unit of measure	90l	90l pre-plumbed	150l	150l pre-plumbed	175l	175l pre-plumbed	210l	210l pre-plumbed
Outer diameter with insulation	mm	490							
Height with insulation	mm	990		1520		1745		2000	
Net weight (empty cylinder)	kg	32.9	35.6	46.3	49.3	49.9	52.9	53	58.5
Net weight (filled cylinder)	kg	127.7	125.6	196.3	199.3	224.9	227.9	263	258.5
Insulation thickness	mm	50							
Total tank capacity	L	94.24		149.84		181.84		206.7	
Actual capacity (without coil volume)	L	88.4		144		176		199	
Hot water capacity / draw off*	L	160.54		260.59		318.17		359.56	
Standby losses	kWh/24h	1.31		1.44		1.76		2.06	
Energy-related Products (ErP)	A+-F	C							
Reheat time (70%)*	minutes	7.39		11.45		14.07		17.45	
Coil rating acc. EN 12897	kW			22.55				28.59	
Heat exchanger volume	L			5.84				7.7	
Heat exchanger surface	m <sup>2</sup>			1.85				2.4	
Primary flow rate	l/h	2000							
Heat exchanger pressure drop	mbar			0.1				0.14	
Maximum operating heat circuit temperature	°C	85							
Quantity of temperature sensor tubes	qty	3							
Size of supplied expansion vessel	L		12					18	
Immersion heater rating	kW	3							
Immersion heater cable size	mm	1.5							
Immersion heater current	A	13							

\* Calculation from test EN 12897.

# uniSTOR pure

## Technical dimensions and clearances



	A	B	C	D	E	F	G	H	I	J	K
Unit of measure	mm										deg
VIH RW 90/5 C SLES	989.7	773.5	-	628.5	503.5	208.5	583.5	748.5	490	520	40°
VIH RW 150/5 C SLES	1,519.7	1,303.5	-	628.5	503.5	208.5	583.5	1,278.5	490	520	40°
VIH RW 175/5 C SLES	1,744.7	1,303.5	-	628.5	503.5	208.5	583.5	1,503.5	490	520	40°
VIH RW 210/5 C SLES	1,999.7	1,783.5	1,663.5	758.5	633.5	208.5	713.5	1,758.5	490	520	40°

# uniSTOR plus

High recovery slimline cylinder  
with internal expansion vessel

Coming soon:  
A new range of  
standard diameter  
cylinders

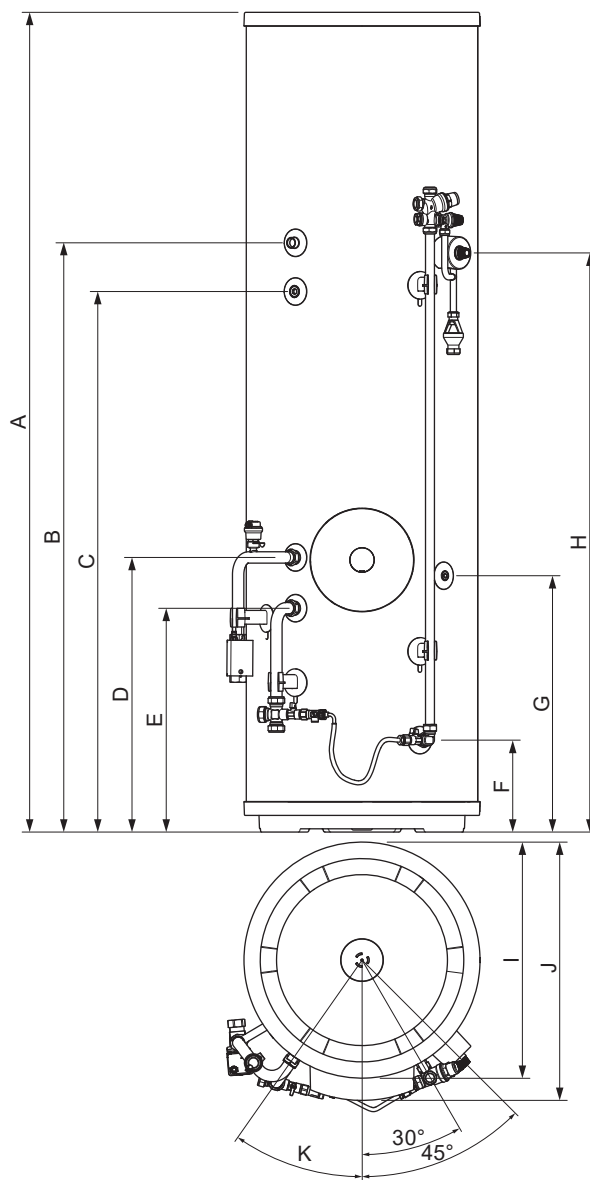


Technical data	Unit of measure	150l	150l pre-plumbed	175l	175l pre-plumbed	210l	210l pre-plumbed
Outer diameter with insulation	mm	490					
Height with insulation	mm	1520		1745		2000	
Net weight (empty cylinder)	kg	44.2	47.2	48.6	51.6	53.4	58.9
Net weight (filled cylinder)	kg	190.3	193.3	223.6	226.6	238.4	243.9
Insulation thickness	mm	50					
Total tank capacity	L	151.84		177.44		205.1	
Actual capacity (without coil volume)	L	146		171.6		197.4	
Hot water capacity / draw off*	L	197.88		211.22		257.86	
Standby losses	kWh/24h	1.39		1.71		2.01	
Energy-related Products (ErP)	A+-F	C					
Reheat time (70%)*	minutes	11.45		13.23		15.32	
Coil rating acc. EN 12897	kW	22.55		28.59		7.7	
Heat exchanger volume	L	5.84		7.7		2.4	
Heat exchanger surface	m <sup>2</sup>	1.85		2.4			
Primary flow rate	l/h	2000					
Heat exchanger pressure drop	mbar	0.1		0.14			
Maximum operating heat circuit temperature	°C	85					
Quantity of temperature sensor tubes	qty	3					
Immersion heater rating	kW	3					
Immersion heater cable size	mm	1.5					
Immersion heater current	A	13					

\* Calculation from test EN 12897.

# uniSTOR plus

## Technical dimensions and clearances



	A	B	C	D	E	F	G	H	I	J	K
Unit of measure	mm										deg
VIH RW 150/5 C SLPPIAES	1,519.7	1,082	-	628.5	503.5	208.5	583.5	1,057	490	520	40°
VIH RW 175/5 C SLPPIAES	1,744.7	1,214.5	-	628.5	503.5	208.5	583.5	1,189.5	490	520	40°
VIH RW 210/5 C SLPPIAES	1,999.7	1,469.5	1,349.5	758.5	633.5	208.5	713.5	1,444.5	490	520	40°

# uniSTOR accessories

Accessory	Product name	Description
	New purpose-built buffer	<p>The new buffer store solution has been expertly crafted and cleverly designed. It has been optimised to maximise space within your customer's home as a stackable solution. This unique solution can be installed to sit either below or above the cylinder when required as part of the heat pump system. The 30-litre volume is perfect as either a volumiser or a true buffer store.</p> <p>This accessory offers hydraulic decoupling, stores an additional heating capacity to use at peak demands, de-couples the evaporator without the need for back up heating. The buffer provides an additional 30 litres of open system volume to ensure heat pumps run at their peak efficiency.</p>
	External expansion vessel	Included with each uniSTOR pure cylinder, correctly sized to the cylinder capacity, operating at 10 bar pressure.
	Tilt protection	To ensure stability of the cylinder, particularly when the system includes the stackable buffer, a belt has been included with every cylinder, to secure the cylinder to the wall.
	490mm plinth	<p>A new optional accessory that can be used to elevate the cylinder 200mm to allow for access to pipework and electrical connections.</p> <p>Supplied ready to assemble. Can be fitted to base of either cylinder or buffer.</p>
	Pressure gauge	<p>The pressure gauge provides visibility of the system pressure when the boiler display is remote from the filling loop.</p> <p>Available as an optional accessory.</p>
	Titanium immersion heater element	Available to order as an upgrade the immersion heater is more resistant to both chemical attack and scale deposition, increasing both longevity and efficiency. The temperature should never be set higher than 60°C.
	3-way valve	<p>The 3-way valve is available as an after-market accessory, for use when the heat generator for an existing cylinder is being changed from a boiler, which uses a 2-port safety valve to a heat pump.</p> <p>The valve is designed to return by spring action to the heating port, shutting off the flow to the hot water coil in an emergency situation.</p>

# Large capacity uniSTOR



## Overview

The Vaillant cylinder range includes two large capacity cylinders and a complete range of accessories. The 500 and 800 litre models have impressive coil sizes, of 4.7m<sup>2</sup> and 7m<sup>2</sup> which are manufactured using high grade stainless steel, and pass the highest Vaillant standards and quality control requirements. In addition, a comprehensive range of accessories are available which includes a choice of unvented cylinder kits, compatible expansion vessels, and a 7.5kW immersion (800 litre only). This provides the installer and specifier with maximum flexibility during design and installation.

Both cylinders can also be easily cascaded to generate higher requirements for hot water. Vaillant's dedicated technical designers can advise on any project for additional support and peace of mind.

## Features & benefits



### Single guarantee for all components

Complete peace of mind from one manufacturer.



### Unvented cylinder kit, expansion vessel and sensor available as an accessory

Complete system solution offering whilst meeting all building regulations.



### Large diameter, smooth bore coil technology

Provides quiet operation, reduces build-up of scale and aids in long term efficiency through automatic descaling.



### Factory fitted T & P valve

Ensures safety requirements to meet regulations.



### Global Warming Potential less than five and ozone depletion of zero

Designed to have minimal environmental impact.



### Large 7.5kW single phase immersion available

Emergency backup in case of main heat source failure (800 litre only).



### In-built lifting eye

Easy to move over any terrain.



### Inspection port included

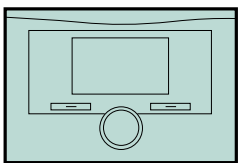
Meets requirement of many commercial specifications (800 litre only).

# Types of controls

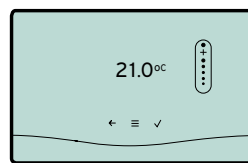


## Sit back, relax and let Vaillant take care of your customer's heating

Vaillant makes a variety of controls to suit your customers needs. These range from basic mechanical timers to sophisticated app-based smart controls.



Programmable thermostats are room thermostats that monitor the temperature. As well as having timer programs, they have lower and higher temperature parameters to ensure the temperature doesn't reach an uncomfortable level. This type of control usually also has a holiday function.



Internet connected controls are controlled remotely and offer the same functionality as programmable room thermostats. These controls have complementary apps\* so they can be controlled via mobile devices and connect to smart devices, e.g. Amazon Alexa and Apple HomeKit.

Google Play



App Store



Scan the QR code for the full range of Vaillant controls



\* Simply search for Vaillant.

# sensoCOMFORT

## System controls



### Overview

The sensoCOMFORT is Vaillant's latest control for multi-zone heating systems. It's been designed to be simple to install and use, and operates with Vaillant's proprietary eBUS protocol. This ensures all the components of the system can easily communicate with each other to provide optimum system performance. It's perfect for multi-zone gas-fuelled systems, and hybrid, or renewable installations.

The sensoCOMFORT has been designed to be simple to install, with guided commissioning that detects all the components of a system and proposed pre-defined settings.

The sensoCOMFORT is available in a wireless version (RF) that can control up to three heating zones.

### Features & benefits



#### Boiler modulation

eBUS connection allows the boiler to modulate, ensuring peak performance and optimum efficiency for a Vaillant heating system.



#### Weather compensating

sensoCOMFORT comes with an outdoor sensor which provides an understanding of the thermal behaviour in and around the property and adjusts the flow temperatures to ensure optimal efficiency.



#### Intuitive Interface

The touch interface provides a simple method of navigating the control to undertake simple tasks.



#### Energy dashboard

Provides enhanced insight into your customer's heating system performance and energy consumption.



#### Time programme assistant

Effortlessly set heating programmes within minutes using the time programme assistant.



#### myVAILLANT app

With a Vaillant internet gateway, the dedicated app can be downloaded and used to manage heating and hot water requirements on the go.





#### Available wired and wireless

The sensoCOMFORT is available wired and wireless. The wired sensoCOMFORT can support up to 5 heating zones, while the wireless sensoCOMFORT can support up to 3 heating zones. VR 92 thermostats can be added to control individual zones.

# Wiring centres


## Overview

Part of creating the Vaillant system or improving customers comfort can involve adding zones and therefore zone valves. Vaillant controls are only compatible with Vaillant wiring centres. Below is a description of the wiring centres we offer and how and when they can be used.

Wiring centre	Article number	Notes
 VR 70	0020184844	Control up to 2 heating zones and hot water.
		Includes 2x VR 10's.
		Only to be used with 2 port zone valves.
		Can be used as secondary wiring centre in conjunction with VR 71.
 VR 71	0020184847	Control up to 3 heating zones and hot water.
		includes 4x VR 10's and 1x VR 11.
		Only to be used with 2 port zone valves.

# Controls compatibility finder


## Heat pump control system components

Control	1 heating zone	2 heating zones	Multiple heating zones	
<b>Weather compensating</b>				
	sensoCOMFORT**	✓ with VR 71	✓ with VR 71	✓ up to 5 with VR 71 + VR 70
	sensoCOMFORT RF**	✓ with VR 71	✓ with VR 71	✓ up to 3 with VR 71
	VRC 700***	✓ with VR 70	✓ with VR 70	✓ up to 9 with VR 71 + 3 x VR 70
	VRC 700f***	✓ with VR 70	✓ with VR 70	✓ up to 3 with VR 71

\* Outdoor sensor sold separately.

\*\* VR 92(f)s required for additional zones.

\*\*\* VR 91(f)s required for additional zones.

 Controls with the phone symbol may be controlled on a smart phone when installed with a Vaillant internet gateway. Gateway may need to be purchased separately.

# myVAILLANT connect with heat pumps

Vaillant heat pumps can be installed with a myVAILLANT connect internet gateway to enable use with the myVAILLANT app. Not only can the app provide homeowners with the energy consumption, energy yields and efficiencies of their heating system, but it can also enable you to see how your customers heat pump is performing with myVAILLANT Pro.

Monitor your customers systems with myVAILLANT Pro. myVAILLANT Pro will show you the energy efficiency of your customers heat pump, the energy consumption, heat generated and more. This will enable you to advise your customers on the best way they can use their Vaillant heat pump.

Depending on the heat pump system installed, the VRA 42 or AC adapter three pin plug should be used to power the myVAILLANT connect. the VRA 42 can be purchased from your local merchants with a gateway or separately.

**Depending on the heat pump system, either the VRA 42 or AC adapter three pin plug should be used:**

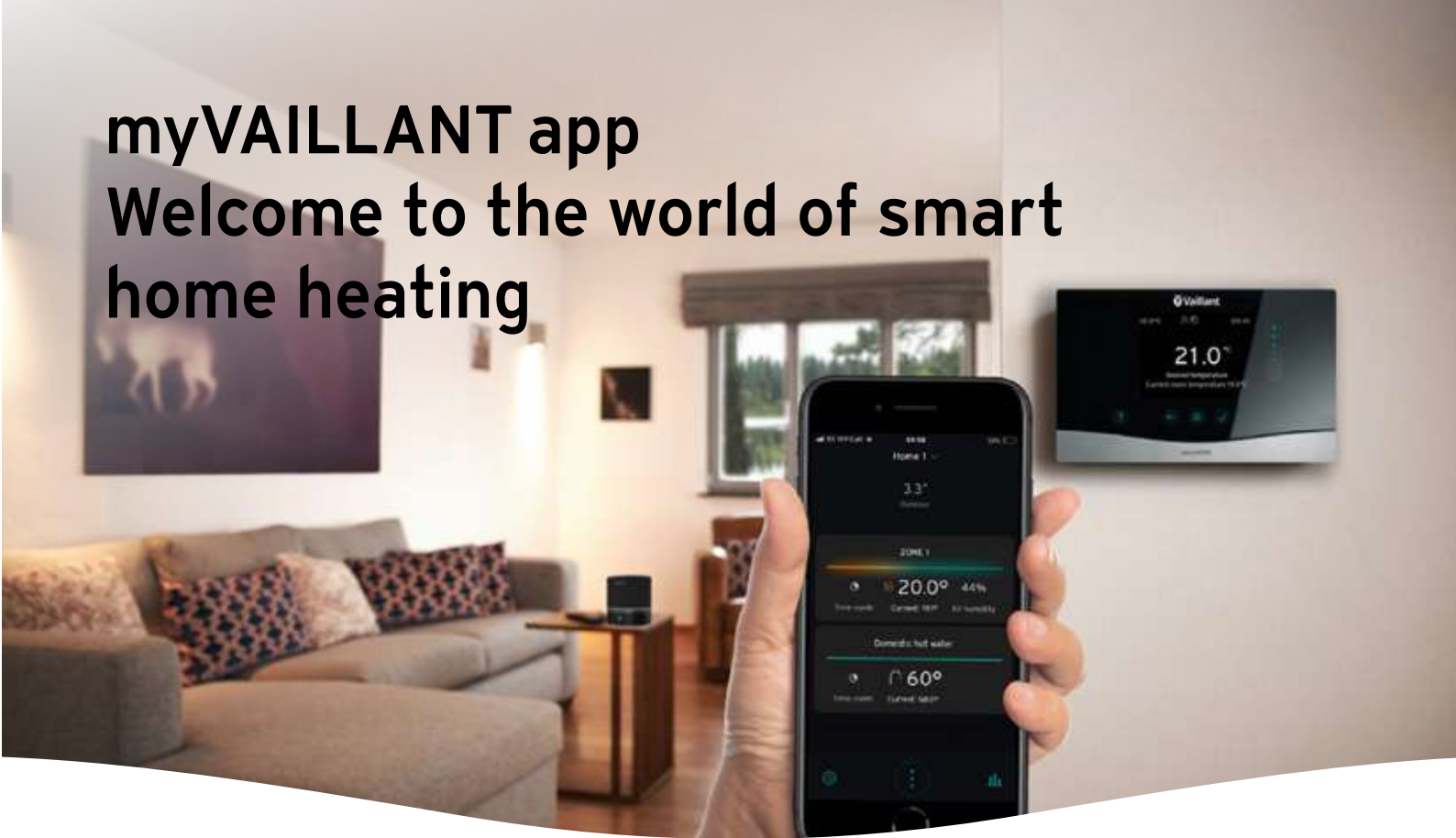
- aroTHERM plus
  - with a VWZ MEH 97/6 hydraulic module can use the VRA 42
  - with a VIH QW 190/6 uniTOWER can use the VRA 42
  - with a VWZ AI VWL x/6 MB2 should use the three-pin plug solution
- aroTHERM split with either the VWL 57/5 IS, VWL 77/5 IS or VWL 125/5 IS hydraulic modules can use the VRA 42
- aroTHERM 2/3 with VWZ AI VWL x/2 A should always use the three-pin plug solution
- geoTHERM mini can use the VRA 42
- flexoTHERM should use the three-pin plug solution

Visit our YouTube channel for a range of 'how to' videos to support your customers.

Please note: both AC adapter and the VRA 42 are included in the pack (0010038367).

# myVAILLANT app

## Welcome to the world of smart home heating



### Making your customers' homes more comfortable just got easier

myVAILLANT is more than just an app. It's a smart home heating ecosystem, that gives your customers even more flexibility and control, making their homes even more comfortable.

Give your customers the ability to manage their heating effortlessly via smart phone or tablet and set routines for optimum comfort, while keeping energy costs under control, with the myVAILLANT smart home ecosystem. Plus, offer additional peace of mind with the help of Vaillant's smart home services.

### Smart heating for your customers

Manage appliances directly or set routines easily. myVAILLANT app offers advanced comfort while keeping energy consumption and costs under control.

### Taking comfort to a new level

The myVAILLANT app for homeowners makes controlling Vaillant appliances smarter, faster, more intuitive and more technologically advanced than ever before.

### Features & benefits



#### Smart heating

Give customers full control of their appliance, at their fingertips. Anytime, anywhere.



#### Higher reliability

Faster service, less downtime, more peace of mind for you and your customers: in the world of myVAILLANT, everything is connected.



#### Smart home integration

myVAILLANT allows users to conveniently adjust the temperature through simple voice commands with Amazon Alexa and Apple HomeKit (only for single heating zone systems).



#### Fit for the future

Smart ecosystem that constantly improves and expands. Frequent updates will add more useful functions and smart ideas.



#### Increased comfort

Always at the exactly right temperature: customers can let the appliance know when they're on their way home - and the perfect climate will welcome them home.



#### Lower consumption

myVAILLANT can save energy when customers are away and makes sure the temperature is perfect when they return.

Download the myVAILLANT app.

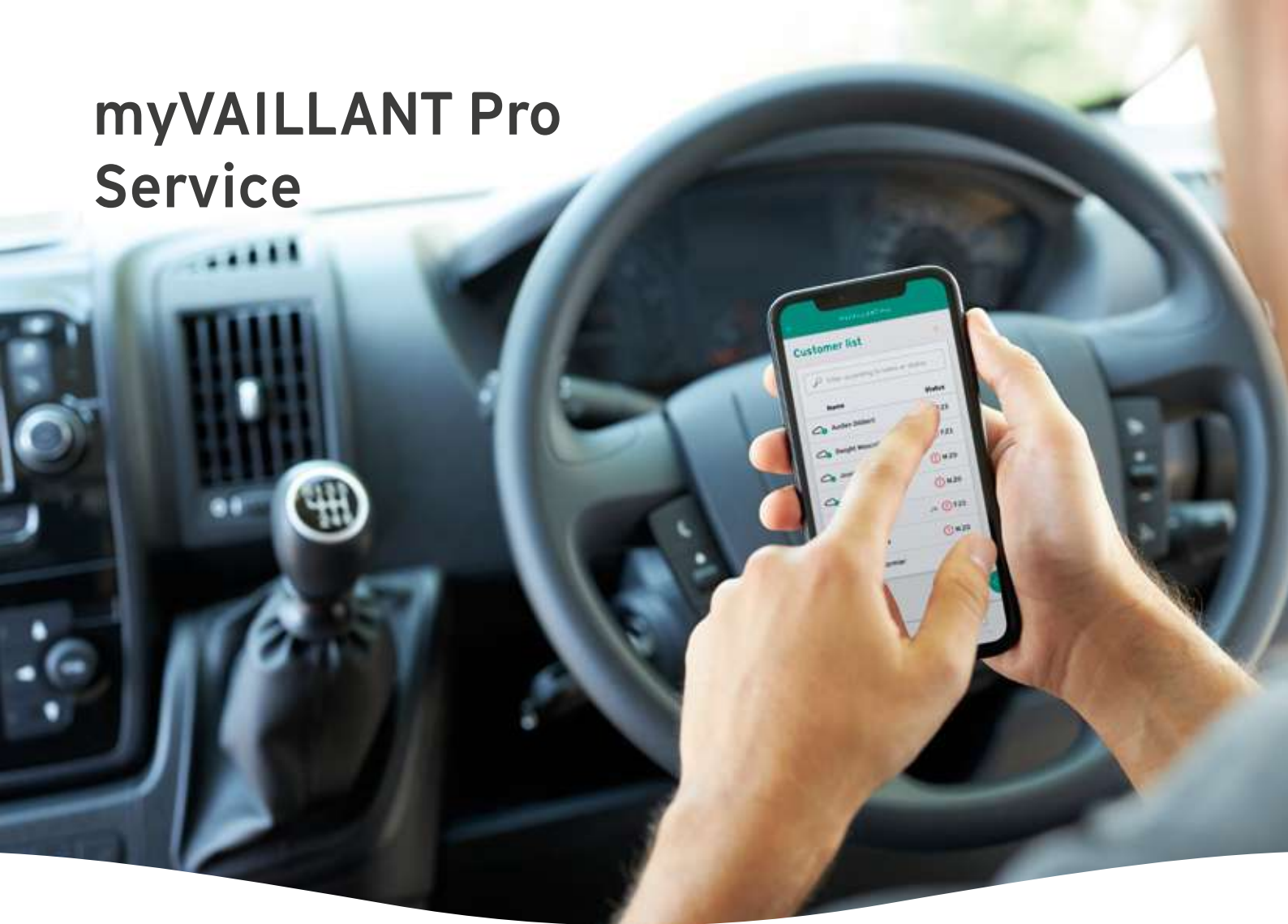
Google Play



App Store



# myVAILLANT Pro Service



## Support your customers and your business with myVAILLANT Pro Service

Vaillant's eBUS communication technology enables Vaillant appliances to talk to each other and offers data on the performance of the heating system and its components. This technology now means that Vaillant can support your installations further by giving you the tools to offer your customers extra levels of service and support - using myVAILLANT Pro Service which can be used on desktop as well as via an app.

When used with the myVAILLANT connect internet gateway, this solution has the ability to remotely monitor boiler and heat pump installations, with access to detailed performance data, fault code history and offer diagnostic insights - all at the click of a button.

### Features & benefits



#### Improved service efficiency

Be notified immediately of a fault on a customer's appliance, with insights on how to rectify it.



#### Customer management

Easily manage customers in the secure customer database with quick visibility of appliance model and serial number.



#### Plannable business

Schedule multiple service and repair visits more efficiently using the failure and spare part insights provided.



#### Detailed fault and status history information

Time and date stamped service and fault history for each connected appliance and the latest fault information available for all supported appliances.



#### Diagnostic insights

Data driven insights on failures to aid repairs and spare part identification. myVAILLANT Pro Service uses installer credentials.



#### Remotely monitor multiple appliances and thermostats

Easily review appliance data points whilst on the move and manage customer's time programs set on their thermostat.



#### Intelligent repairs

Improve first-time fix rates by knowing which parts you need before you arrive.



#### Installation and manufacturing date

Complete transparency of the appliance production and installation.

Download the myVAILLANT Pro Service app.

Google Play



App Store



# Service and spares support



## Spares and support, year after year

Vaillant is committed to responsible spares provision and provides spares for a minimum of 15 years after production ceases. We have a nationwide network of genuine spares stockists and a dedicated spare parts team to help you identify the parts you require.

Vaillant has even developed an app that helps identify spare parts to make ordering easier. Simply search for Vaillant on Google Play or the App Store.

## Service you can count on

At Vaillant UK, we invest as much of our resources into our service and support as we do in creating our outstanding heating solutions. So you can rest assured that when you choose a Vaillant product, you will be supported by the best service in the industry. Vaillant has specialist teams available to support installers and end-users with all enquiries. We pride ourselves on the efficiency of our service departments, supported by online tools that allow our customers to book appointments for our services for added convenience.

Vaillant has over 250 service engineers. This includes the largest specialist fleet of renewable and commercial systems engineers in the UK. With phone operators available 364 days a year, service and support from Vaillant UK is never far away.

# Industry leading training for industry leading engineers



## Training

At Vaillant, we pride ourselves on being at the forefront of technology and sharing our expertise. That's why we offer a wide range of training courses to help support our installers and their businesses. Whether you're looking for online, practical or accredited courses, we can help find the right training journey for you.

### Why train with us?



#### Nationwide training facilities

We have 8 training facilities across the UK, all of which are equipped with industry-leading products to support your learning.



#### 341 years of expertise

The training team have hundreds of years combined expertise between them, so you can rest assured that you're learning from the best in the business.



#### Hands-on learning

We strive to deliver a practical approach to training, with live boilers and heat pump installations for you to work on at every one of our centres of excellence.



#### Courses for all skill levels

We provide training for all skill levels, from apprentices right through to experienced engineers.



#### Loyalty rewards

Earn Advance rewards such as cashback, credits and exclusive invites to events when you train with us.



#### Ongoing support

Our training team are committed to sharing knowledge, experience and content to support you throughout your Vaillant training journey.

Scan to learn more about our training courses



## Article numbers

Heat pumps	Article number
flexoTHERM 5kW	0020257358
flexoTHERM 8kW	0020257359
flexoTHERM 11kW	0020257360
flexoTHERM 15kW (400v)	0020257361
flexoTHERM 19kW (400v)	0020257362
flexoTHERM 5kW (400v)	0020257363
flexoTHERM 8kW (400v)	0020257364
flexoTHERM 11kW (400v)	0020257365
aroCOLLECT up to 11kW pack	0020221335
aroCOLLECT up to 19kW pack	0020221336
aroTHERM plus 3.5kW	0010037211
aroTHERM plus 5kW	0010037212
aroTHERM plus 7kW	0010037213
aroTHERM plus 10kW	0010037214
aroTHERM plus 12kW	0010037215
aroTHERM plus 10kW (400v)	0010048453
aroTHERM plus 12kW (400v)	0010048454
aroTHERM plus 3.5kW + uniTOWER	0010037201
aroTHERM plus 7kW + uniTOWER	0010037203
aroTHERM plus 10kW + uniTOWER	0010037204
aroTHERM plus 12kW + uniTOWER	0010037205
aroTHERM plus 3.5kW + hydraulic module	0010037206
aroTHERM plus 5kW + hydraulic module	0010037207
aroTHERM plus 7kW + hydraulic module	0010037208
aroTHERM plus 10kW + hydraulic module	0010037209
aroTHERM plus 12kW + hydraulic module	0010037210
aroTHERM plus 3.5kW Hybrid for VL Blr	0010037934
aroTHERM plus 5kW Hybrid for VL Blr	0010037935
aroTHERM plus 7kW Hybrid for VL Blr	0010037936
aroTHERM plus 10kW Hybrid for VL Blr	0010037937
aroTHERM plus 12kW Hybrid for VL Blr	0010037938
aroTHERM plus 3.5kW Hybrid-Incumbent	0010037939
aroTHERM plus 5kW Hybrid - Incumbent Blr	0010037940
aroTHERM plus 7kW Hybrid - Incumbent Blr	0010037941
aroTHERM plus 10kW Hybrid-Incumbent Blr	0010037942
aroTHERM plus 12kW Hybrid-Incumbent Blr	0010037943
aroTHERM split 3kW	0010031875
aroTHERM split 5kW	0010031876
aroTHERM split 7kW	0010031877
aroTHERM split 10kW	0010031878
aroTHERM split 12kW	0010031879
aroSTOR 200ltr	0010031862
aroSTOR 270ltr	0010031863

Cylinders	Article number
uniSTOR pure 90l slimline non-plumbed	8000011504
uniSTOR pure 150l slimline non-plumbed	8000011505
uniSTOR pure 175l slimline non-plumbed	8000011506
uniSTOR pure 210l slimline non-plumbed	8000011507
uniSTOR plus 150l slimline non-plumbed	8000011633
uniSTOR plus 175l slimline non-plumbed	8000011634
uniSTOR plus 210l slimline non-plumbed	8000011635
uniSTOR plus 150l slimline pre-plumbed	8000011620
uniSTOR plus 175l slimline pre-plumbed	8000011621
uniSTOR plus 210l slimline pre-plumbed	8000011622
uniSTOR pure 90l slimline pre-plumbed	8000011508
uniSTOR pure 150l slimline pre-plumbed	8000011509
uniSTOR pure 175l slimline pre-plumbed	8000011510
uniSTOR pure 210l slimline pre-plumbed	8000011511
Buffer	8000011534

Cylinder accessories	Article number
Plinth 490mm	8000011653
Titanium Heater 3kW Slimline D490	8000011661
Pressure gauge	8000011817
3-way valve	0020236141

## Article numbers

Article description	Article number
<b>Connected products</b>	
myVAILLANT connect internet gateway + VRA 42	0010038367
VRA 42	0010040289
<b>Weather compensating controls</b>	
sensoCOMFORT	0010036819
sensoCOMFORT RF	0010036820
VR 92	0020260925
VR 92f	0020260940
VRC 700	0020236291
VRC 700f	0020259829
VR 91	0020171334
VR 91f	0020231566
<b>Wiring centres</b>	
VR 70	0020184844
VR 71	0020184847
<b>Accessories</b>	
H bracket	0010048535
VRC 693	000693
VR 20	0020028537

## Accessories matrix article numbers

Article description	Article number
VWZ AI, VWL x/6 MB2	0010031644
uniTOWER plus VIH QW 190/6 E GB MB8	0010022093
VWZ MEH 97/6 MB2	0010023610
aroCOLLECT up to 11kW pack	0020221335
aroCOLLECT up to 19kW pack	0020221336
aroTHERM heat exchanger module	0020222285
aroTHERM inline 6kW back up heater	0020222286
100 litre buffer cylinder	0020250167
200 litre buffer cylinder	0020250168
flexoTHERM brine auto de-airer	0020261123
Temperature sensor VR 10	306787
VR 11 (collector sensor)	306788
Manifold for 2 pipe groups	307556
Manifold for 3 pipe groups	307597
VWL 11/4 SA	0010016718
fluoCOLLECT up to 11kW	0010016719
fluoCOLLECT up to 19kW	0010016720
Passive cooling module up to 11kW	0010016721
Passive cooling module up to 19kW	0010016722
Mono HP connect kit-ground install	0010027971
Mono HP connect kit-ground install	0010027972
uniTOWER decoupling module (large)	0010027973
Mono HP connect kit-wall installation	0010027974
Mono HP connect kit-straight pipe	0010027976
uniTOWER connect kit (HP circuit)	0010027979
uniTOWER connection kit on wall (UK)	0010027981
uniTOWER decoupling module (small)	0010027982
Snow spacer	0010027984
Coding resistor	0010030974
Expansion vessel, brine (2L)	0010030975
45 litre buffer	0010038365
Installation kit expansion vessel	0020009863
Fittings pack (DN 20)	0020025387
Protection vessel 18 litres	0020048753
Filling device, complete	0020106265
Solar discharge vessel	0020145563
Filling device, mobile GB	0020145706
Pipe kit, Perf AWHP, Vaillant (750mm hose)	0020165288
Filling pump solar (UK-version)	0020166591
Recirculation pipe set Vaillant	0020170502
Recirculation pump Vaillant	0020170503
L10 extension set Vaillant	0020170507

Article description	Article number
L11 extension set Vaillant	0020170508
L20 extension set Vaillant	0020170509
Spacer, snow Vaillant	0020173403
Wall bracket for expansion vessel	0020173592
VDM 25 1" mixing pump	0020191788
VDM 20 ¾" mixing pump group with mixer suitable for max flow rate 6.3m³/h	0020191813
VDM 15 ½" mixing pump group with mixer suitable for max flow rate 2.5m³/h	0020191814
VDM 10 pump group without mixer	0020191817
Compression ring set G3/4 x 22/18mm VG	0020193231
Connector, 2x aroCOLLECT VWL 11/4 SA	0020205408
Elbow 90 - D 160mm	0020205773
Insulated duct - D 160 mm - L=10m	0020205774
Twin flue kit aroSTOR VWL 290	0020205775
Automatic air vent, G1 1/2	0020212521
Insulation, for automatic air vent	0020212523
Fittings pack flexoTHERM, straight	0020212715
Fittings pack flexoTHERM, angle	0020212716
Chassis, complete bottom (200) for VWL 11/4	0020213871
Insulation cap, Vaillant (x6)	0020243643
Wall mounting for insulated walls	0020250224
Wall mounting for non insulated walls	0020250225
Rubber feet ground socket set	0020250226
Twin refrigerant pipes 5m 3/8' - 5/8'	0020250305
Twin refrigerant pipes 10m 3/8' to 5/8'	0020250306
Twin refrigerant pipes 5m 1/4' to 1/2'	0020250307
Twin refrigerant pipes 10m 1/4' to 1/2'	0020250308
Refrigerant pipe 3/8'	0020250309
Refrigerant pipe 5/8'	0020250310
Refrigerant pipe 1/4'	0020250311
Refrigerant pipe 1/2'	0020250312
Set rubber feet, small	0020252091
SAE connector set 1/4	0020252878
SAE connector set 3/8	0020252879
SAE connector set 1/2	0020252880
SAE connector set 5/8	0020252881
SAE connector, calibration set	0020252903
Coding plug, cooling-function	0020269259
18l buffer tank for uniTOWER	0020269273





# Contacts

## Sales enquiries

Vaillant sells its products through plumbing and heating merchants in the UK. For further information, contact your local Vaillant sales representative.

Phone: **0345 602 0262**

## Training

For information on training centres and courses in your area.

Phone: **0345 601 8885**

Email: [training@vaillant.co.uk](mailto:training@vaillant.co.uk)

## Technical enquiries

If you have a technical query, you can contact us by phone or email.

Phone: **0344 693 3133**

Email: [technical@vaillant.co.uk](mailto:technical@vaillant.co.uk)

## Advance support line

There's a Regional Business Manager near you to support your business, along with dedicated Advance support lines.

Call us: **0330 678 0878** or

Email us: [advance-support@vaillant.co.uk](mailto:advance-support@vaillant.co.uk)

## General enquiries

If you are unsure of who you need to speak to or you have a general enquiry, our friendly reception staff will happily point you in the right direction.

Phone: **0345 602 2922**




## System Sales and Design

At Vaillant, our expert System Sales and Design (SSAD) team provides installers with comprehensive heating system design support on their projects.

Phone: **0330 123 1767**

mail us: [systemdesignuk@vaillant.com](mailto:systemdesignuk@vaillant.com)



 Heating  Hot water  Renewables

### Vaillant Group UK Ltd.

Nottingham Road, Belper, Derbyshire DE56 1JT

Telephone 0345 602 2922

[professional.vaillant.co.uk](http://professional.vaillant.co.uk)

[info@vaillant.co.uk](mailto:info@vaillant.co.uk)

Search for VaillantUK on     