

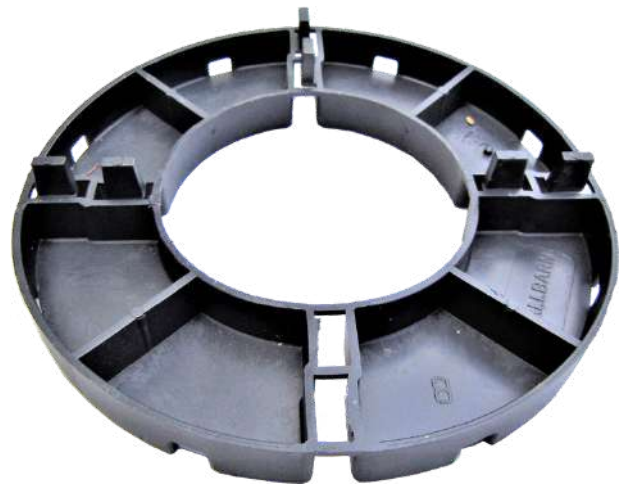


Wallbarn - Technical Datasheet

14 & 17mm Fixed Height Pedestal for Paving or Decking



SP-PLA-014-Z



SP-PLA-017-Z

Product Description

Fixed supports made from HDPE designed to raise paving slabs or timber joists off the deck, allowing the roof to be ventilated and leave easy access for inspection.

Application

Each support is a single piece which is easily divided into four parts where particular shapes are required. Quadrants and semi circles can be created. A timber joist can be inserted between the four lugs in the centre of the pad to support timber deck boards. Tiles or paving slabs can be placed directly onto the pedestals to create a suspended paving system.

Design

They are ring shaped and have a smooth, flat base which comes into contact with the deck and bearing bars on the hollow inside to provide strength and weight bearing. There are four positioning lugs to provide a straight paving line or to place a joist between.

Technical Data

The HDPE supports can withstand a temperature range from -40 °C to +75 °C. This material is particularly resistant to sudden temperature changes; it resists acids, alkalines and atmospheric agents.



Wallbarn - Technical Datasheet

Material	HDPE
Heights	14mm & 17mm
Lug Height	10mm
Lug Width	4mm
Outer Diameter	150mm
Inner Diameter	80mm

	Score	Test Method
Weight tolerance	1,000kg	
Melt Flow rate	14-16 Gr/10'	ASTM D 238
Weight / density	0.99-1.04 Gr/cm³	ASTM D 792 Method A
Softening point with load of 5kg (VICAT test)	> 75 °C	ASTM D 1525
Minimum temperature tolerance	-40 °C	
Heat Deflection Test with load of 1820 kPa	> 90 °C	ASTM D 648
Coefficient of elasticity	1600 Mpa	ASTM D 790
Impact resistance (Izod test - at 23°C)	>40 J/m	ASTM D 256
Impact resistance (Izod test - at minus 20°C)	>20 J/m	ASTM D 256
Fire Rating	EUROCLASS E	EN 13501-1:2009

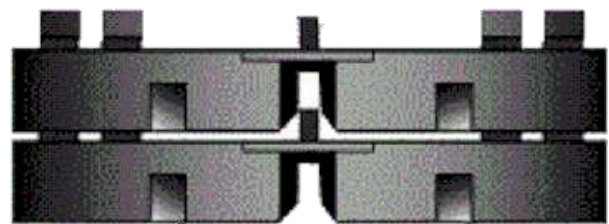
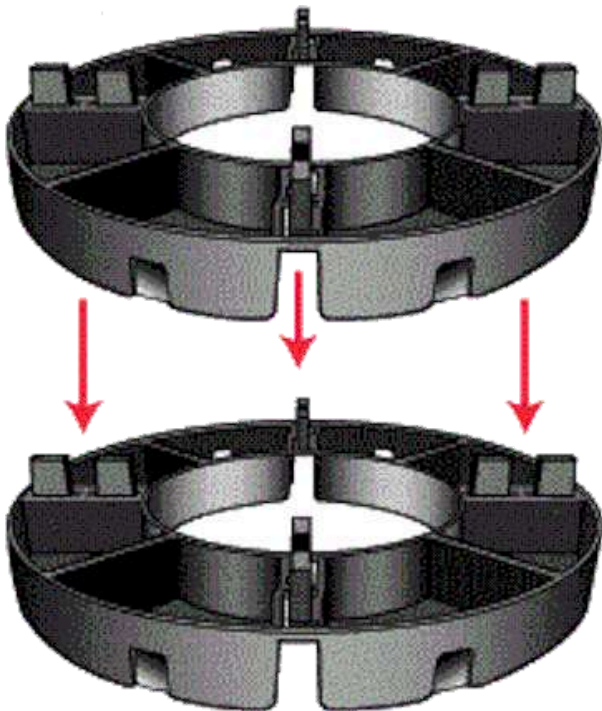
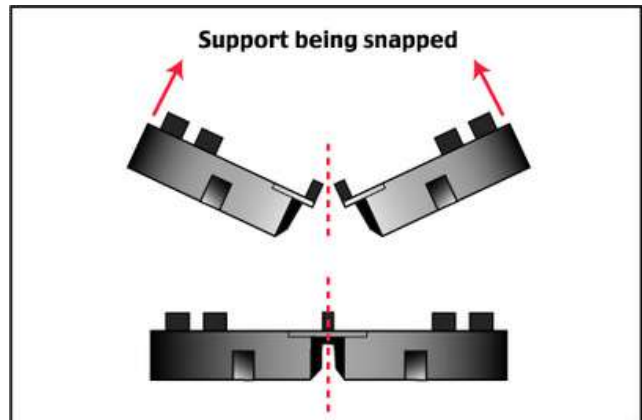
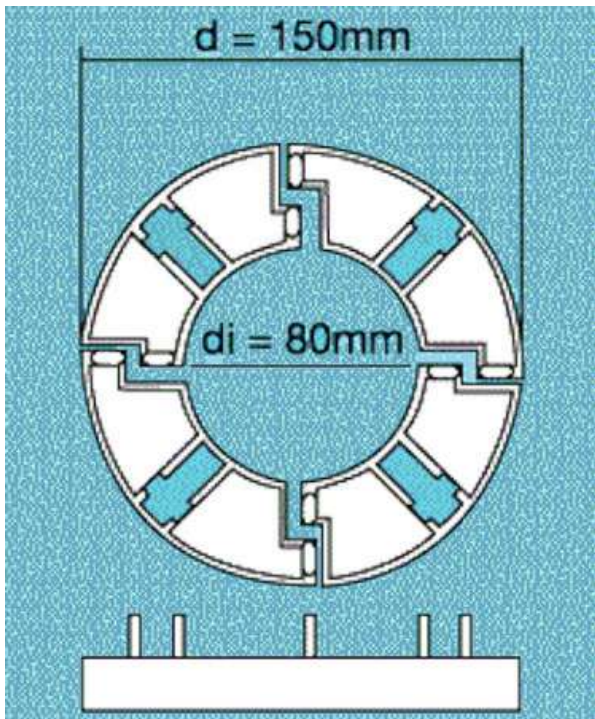
Wallbarn Ltd
 Unit 16 Capital Business Centre
 22 Carlton Road, South Croydon. CR2 0BS

IMS.T.119.v4

Phone : 0208 916 2222 Email : sales@wallbarn.com Website : www.wallbarn.com



Wallbarn - Technical Datasheet



Wallbarn Ltd
Unit 16 Capital Business Centre
22 Carlton Road, South Croydon. CR2 0BS

IMS.T.119.v4

Phone : 0208 916 2222 Email : sales@wallbarn.com Website : www.wallbarn.com