

Alumasc

premium aluminium rainwater systems

for high performance and modern design





a complete range of rainwater

Whether the building style is traditional or modern, the contract craft based or fast track, the extensive range of aluminium gutter and downpipe systems from Alumasc - leading UK specialists in the field, and with expertise in casting, extrusion and presswork - can provide the answer.





architectural solutions in aluminium

Alumasc's aluminium rainwater offer comprises traditional cast, dry joint extruded, and folded box gutter systems - exploiting the potential of all three production processes - together with three alternative downpipe systems.

Each gutter and downpipe system incorporates unique stylistic and functional design features, but the systems are compatible and interchangeable for use in any combination to suit individual project requirements.

Aluminium Rainwater systems from Alumasc - key features:

- Available in a wide range of styles to match any building context
- Lightweight yet strong
- Durable and corrosion resistant
- Minimal maintenance
- Fully recyclable
- Wide choice of polyester colours
- BBA Accredited

rainwater colle

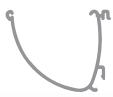
a choice of gutter systems to match architectural



Aqualine Moulded (2 sizes)



Aqualine Half Round (3 sizes)



Aqualine Modern (2 sizes)



Aqualine Box (3 sizes)



Aqualine Deep Run (1 size)

Aqualine extruded aluminium

contributes strongly, with its sleek and sophisticated appearance, to the overall architectural design of a building.

Secret fix bracketry allows a smooth, uniform cross section along the whole length of the gutter. All weather 'dry' jointing, and full provision for thermal movement between gutter parts and the structure to which they are fixed ensures a precision installation.



Performance plus from Aqualine:

- Choice of contemporary and classic profiles to complement any architectural style
- Availability of fast flow outlets for enhanced performance and reduced number of downpipes
- Easy fixing by concealed brackets
- All weather dry jointing
- High flow capacity

ction by design:

function with
style at the building roofline



GX Box (5 sizes)



GX Moulded (5 sizes)



GX Smooth (5 sizes)

GX pressed aluminium

is a robust and fully engineered box section gutter with moulded option, available in five standard profile sizes, each with preformed angles and outlets. GX incorporates simple wet jointing and is especially suited to applications where maximum capacity gutters are required. BBA accredited.



Heritage Half Round (3 sizes)



Heritage Beaded Half Round (3 sizes)



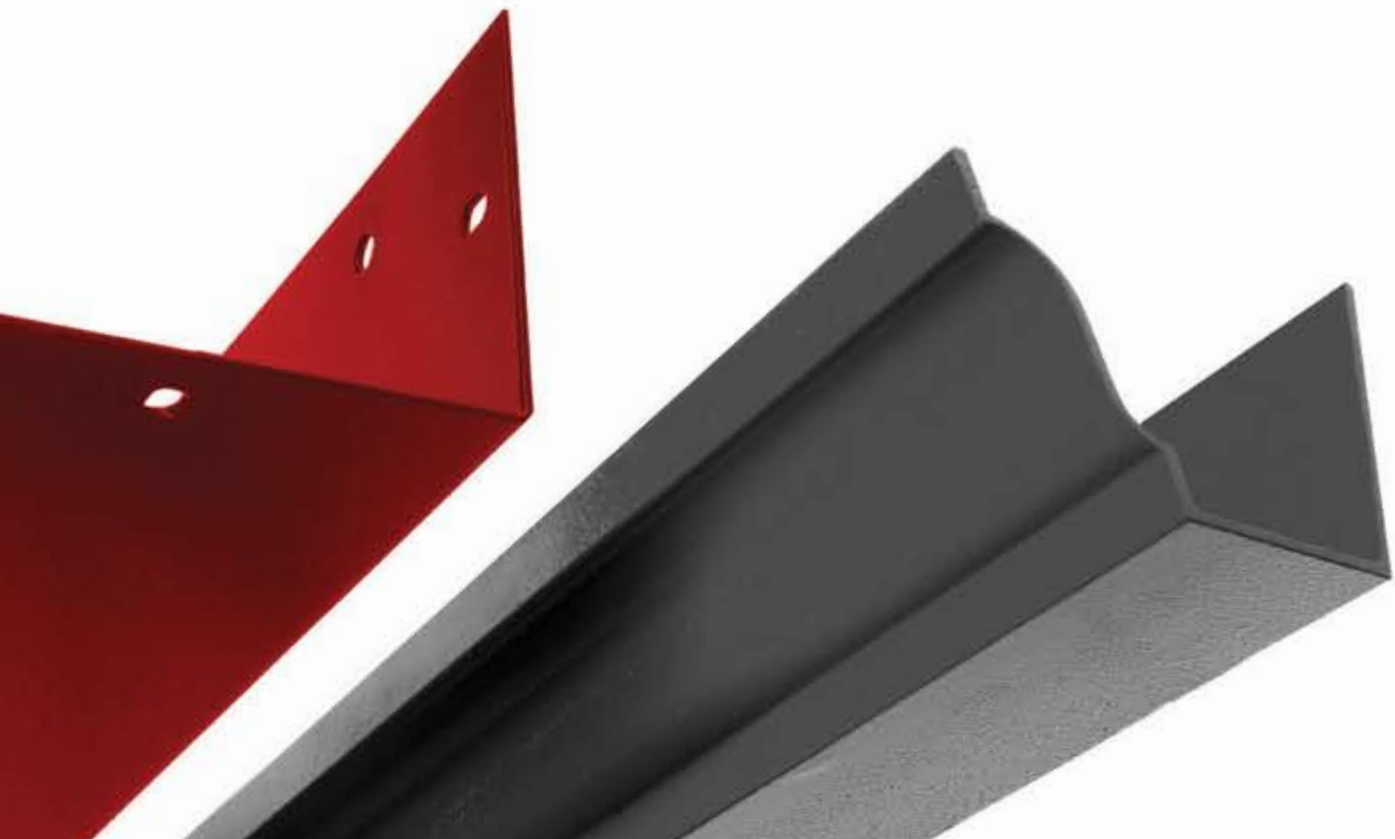
Heritage Ogee (3 sizes)



Heritage Moulded (3 sizes)

Heritage cast aluminium

is a full range of traditional gutter profiles with simple spigot joints, wet sealed and bolted with an extensive range of fixing options. Based on modern production methods and factory finished, Heritage Cast Aluminium is a traditional system to meet the needs of fast track mainstream contracts. BBA accredited.



rainwater disposal by design

A choice of downpipe systems to match function with architectural style on the building façade

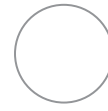


Flushjoint

The Flushjoint Downpipe System is based on a range of circular, square and rectangular pipe shapes with flush joints between pipes and between pipes and fittings, giving a smooth, clean appearance to complement modern building designs. The pipes are mounted on brackets to stand clear of the structure.

Performance plus from Flushjoint:

- Choice of contemporary and classic profiles to enhance any architectural style
- Easy fixing by concealed brackets
- High flow capacity
- Sealed with silicone



Flushjoint Round pipes (4 sizes)



Flushjoint Square pipes (2 sizes)



Flushjoint Rectangular pipe (1 size)

Guardian

The Guardian Downpipe System is designed for mounting flush with the building fabric, and has concealed brackets and concealed jointing. These features in combination provide a high level of security, and also enable Guardian to be offered in a wide range of architectural styles.

Security plus from Guardian:

- Flush fit to wall ensures no grip for climbing and prevents theft by use of levers
- Ground up installation with concealed fixing plates, inaccessible after assembly
- Fixing method allows for fitting into a recess in the façade.



Guardian Circular pipes (2 sizes)



Guardian Square pipes (2 sizes)



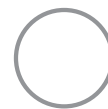
Guardian Rectangular pipe (1 size)

Heritage

The Alumasc Heritage Downpipe System is a traditional solution with a choice of socket jointed round, square and rectangular pipes. Fixing to the wall is either by sockets or by pipe clips, and each downpipe shape is complemented by a full range of fittings including alternative patterns of rainwater heads. BBA accredited.

Traditional plus from Heritage:

- All the key architectural features appropriate to traditional buildings in a lightweight, fully finished product
- Authentic proportions and detailing
- Availability of bespoke castings for special applications



Heritage Round pipes (4 sizes)

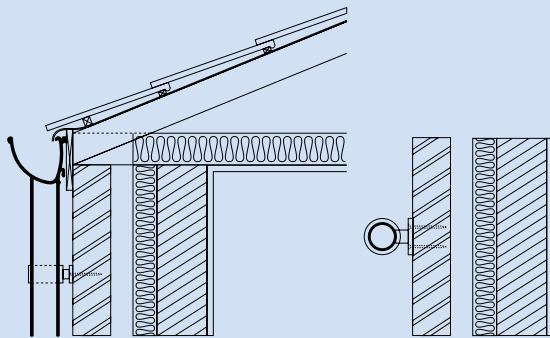


Heritage Square pipes (2 sizes)

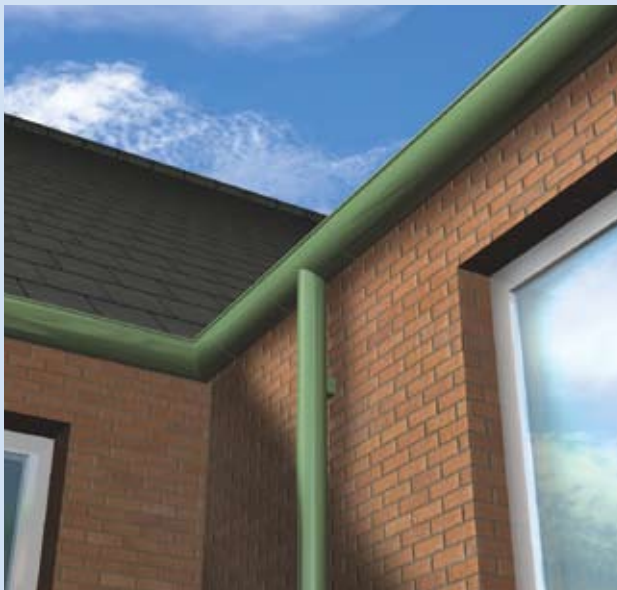
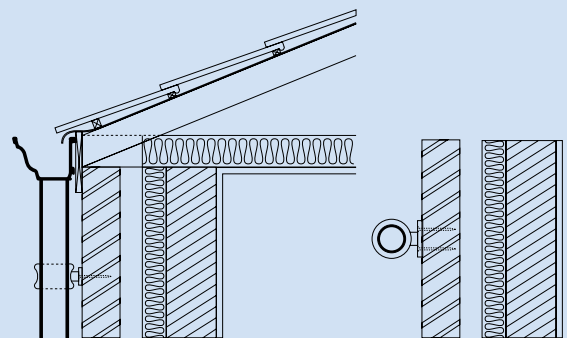


Heritage Rectangular pipe (1 size)

Aqualine Modern gutter with round Flushjoint downpipe



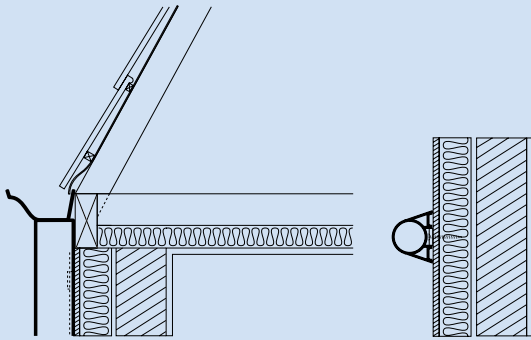
Aqualine Moulded gutter with socketed downpipe



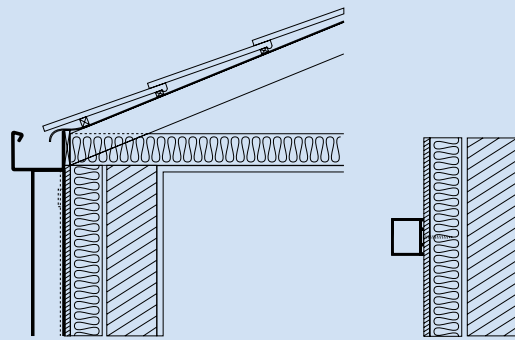
the architectural possi

The sharpness and vibrancy of prefinished aluminium, together with its versatility, make it the ideal material for architectural rainwater solutions over the whole spectrum of contemporary building.

Heritage Ogee gutter with round Guardian downpipe



GX Regular gutter with rectangular Guardian downpipe

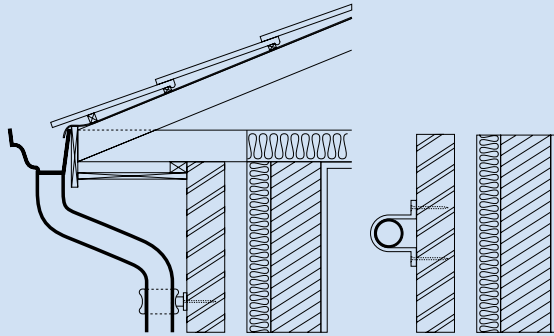


bilities with flush eaves

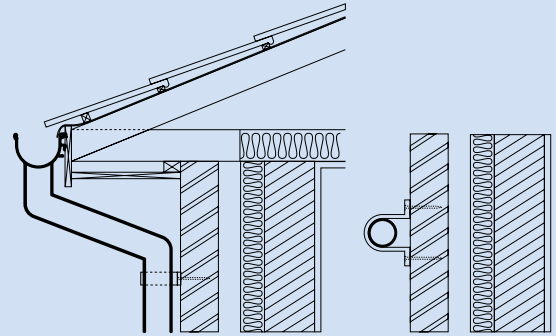
The selection of appropriate gutter and downpipe systems and profiles from the wide choice available in Alumasc's aluminium offer can provide a rainwater solution fully in keeping

with the building design, whether it incorporates flush or projecting eaves, and for practically any combination of façade materials and roofscape.

Heritage Moulded gutter with round socketed downpipe



Aqualine Deep Run gutter with round Flushjoint downpipe

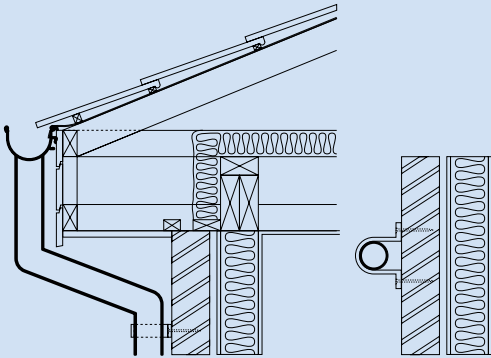


the architectural possi

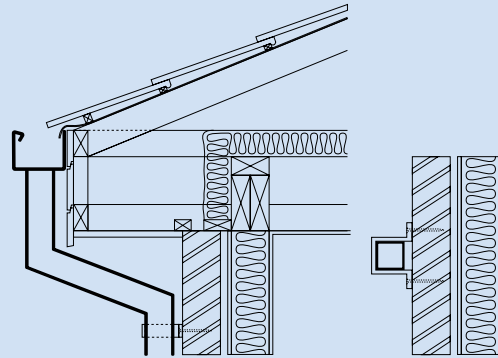
Alumascs' experience in rainwater system design, combined with project based technical support, ensures that every combination of system will provide a fully integrated project solution.



Aqualine Deep Run gutter with round Flushjoint downpipe



GX Regular gutter with square Flushjoint downpipe



ibilities with projecting eaves

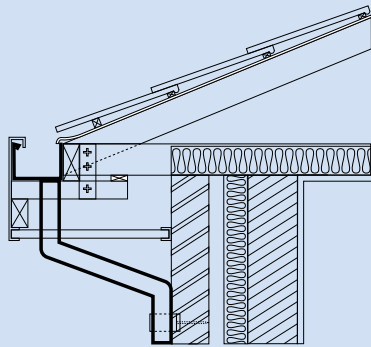
Colours & finishes

Supplied in plain finish or in the Raincote range of factory applied polyester powder coatings to BS 6496:1984 with 16 standard colours to choose from. BS or RAL equivalent are available to special order.

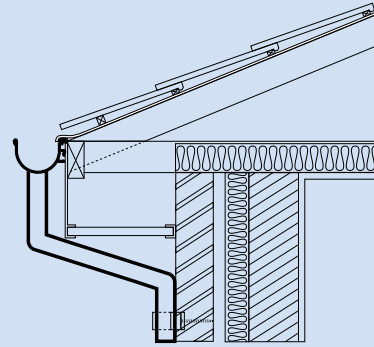


Colours are reproduced for general guidance only. Please contact Alumasc for samples and further information.

Eavesline with concealed gutter



Eavesline with externally Aqualine Deep Run gutter

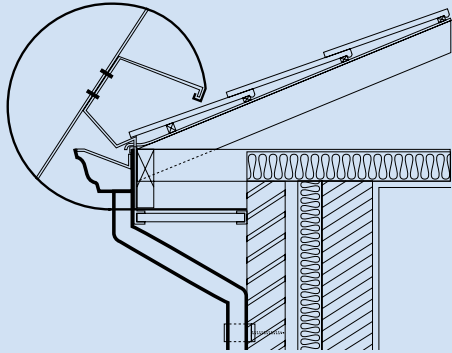


Eavesline: a compleme special products

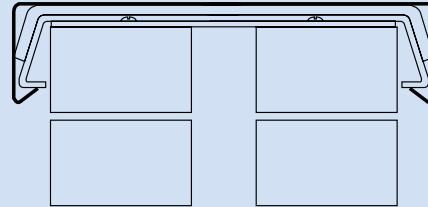
Eavesline fascia/soffit

Eavesline fascia and soffit planks provide an all metal, prefinished solution for the building eaves, when used in conjunction with gutter profiles from the architectural aluminium ranges. Alternative profiles and depths of fascia plank cater for externally mounted and concealed gutter arrangements, and the soffit planks are available to suit a wide range of eave overhangs.

Eavesline Anti-climb on pitched roof



Eavesline Coping on upstanding parapet



ntary range of for the roof perimeter

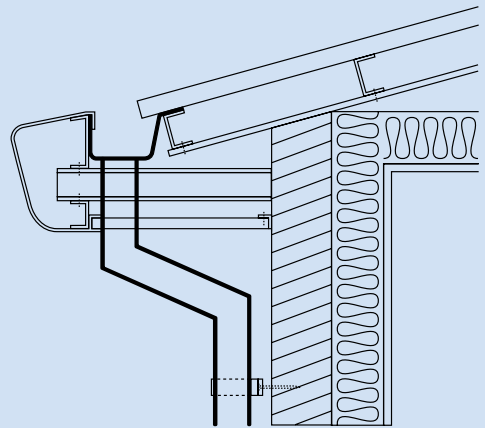
Eavesline anti-climb barrier

Eavesline anti-climb barrier is designed to prevent unauthorised access to the roofscape. It comprises support brackets and pre-formed curved barrier sections, and can be fitted in front of virtually any gutter profile, providing a bold and imaginative architectural feature in addition to its security function. The barrier is suitable for new build and retrofit.

Eavesline coping

The Eavesline coping system provides an economical and easily installed capping to upstanding parapets, in conjunction with flat or pitched roofs. The strap fixing method avoids penetration of the capping, whilst allowing ventilation over the top of the wall. Eavesline coping is maintenance free, available in a wide range of colours and is equally suited to retrofit and new build.

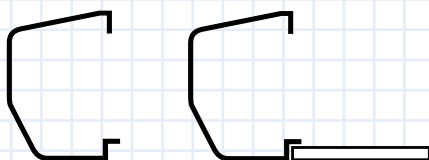
Skyline with Flushjoint downpipe



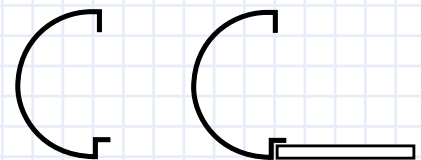
Skyline fascia/soffit: ex boundaries for

Skyline is an eaves/soffit system based on aluminium fascia profiles in a range of generic shapes and sizes, to be used in conjunction with aluminium soffit planks. The fascia profiles fully enclose the gutter and they may be projected direct from the elevation or combined with the soffit plank to give varying eaves overhangs.

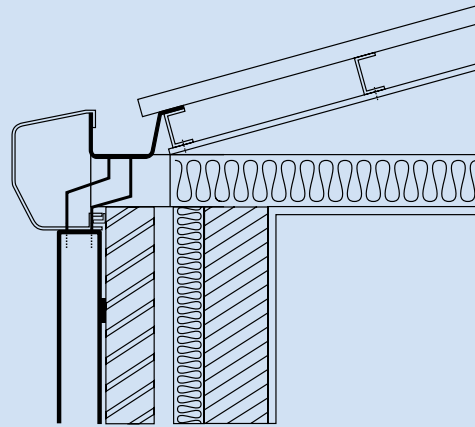
Parapet Profile



Bullnose Profile



Skyline with Guardian downpipe



tending the aesthetic architectural rainwater

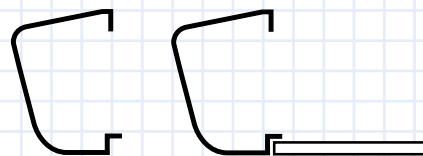


Skyline eaves/soffit is a natural complement to the Alumasc Aluminium Rainwater offer and can be used in conjunction with any of the downpipe systems.

Aerofoil Profile



Chisel Profile



total support



Alumasc Rainwater products and systems are covered by hands on project support starting with technical and design advice and extending through site installation to recommendation of appropriate maintenance regimes. Implementation is led by the Alumasc Rainwater Manager appointed to the project.

Technical support

Alumasc Rainwater products are backed-up by comprehensive technical literature and during the project design

stage Alumasc will advise on:

- Choice of appropriate system
- Flow rate calculations
- Sizing of gutters and downpipes
- Fall of gutters and gutter fixing
- Downpipe fixing
- Making a lightning linkage

Procurement

Alumasc Architectural Aluminium Rainwater components and systems are available through a nationwide network of merchants, supported by direct links with Alumasc product teams for technical advice and scheduling.

Alumasc partnering

Alumasc's long-standing service ethic is the ideal platform from which to develop partnering arrangements, providing total peace of mind to the client during a long term contract. Consistency of performance is ensured in terms of product and service.



from Alumasc

Installation

Alumasc closely monitors the on-site performance of installers of its rainwater products and will recommend, on a project basis, installers with proven track record in:

- Compliance with project specifications
- Compliance with project programmes
- General compliance with good working practice on site



Lifecycle support

Alumasc will advise on the preparation of appropriate maintenance schedules, depending on location, type of installation and context of use.

Alumasc quality assurance

Alumasc Exterior Building Products Ltd has a quality assurance management system which complies with BS EN ISO 9001:2000 and has also implemented an environmental management system.

Sustainability

Aluminium rainwater systems score highly in recyclability. Aluminium is 100% recyclable in that the recycled material suffers no loss of properties, and the recycling process uses only around 5% of the energy required during primary production.

premium aluminium



■ Bartley Wood, Hook ■ Royal Artillery Quays, London ■ Arsenal Training Ground ■ Bristol Childrens Hospital ■ Oxford

rainwater systems from Alumasc...

Rainwater collection by design:

A complete range of engineered solutions in aluminium to complement both contemporary and traditional architecture.

Premium solutions for the designer and specifier

- An unrivalled combination of design and functionality, giving total rainwater solutions for every style of contemporary building.



For the building client

- Premium quality products, supported by a full range of aftercare services provides long term peace of mind.

For the main contractor

- Ease of installation and availability of a network of Alumasc recommended installers, ensures fault free installation to tight programme requirements.



...proven by track record




Brookes University ■ Westminster Apartments ■ Limmerick University Student Village ■ Glasgow Rangers Training Ground



 **Rainwater**

 **Drainage**

 **Waterproofing**

 **Metal Roofing**

 **Façades**

ALUMASC EXTERIOR BUILDING PRODUCTS LTD

White House Works, Bold Road, Sutton,

St Helens, Merseyside, WA9 4JG

United Kingdom

Telephone: +44 (0)1744 648400

Facsimile: +44 (0)1744 648401

Website: www.alumasc-exteriors.co.uk

E-mail: info@alumasc-exteriors.co.uk

Product and technical literature hotline

0808 100 2008

A unique fusion of premium products,
technical expertise and project support

All reasonable care has been taken in the preparation of this brochure, all information, recommendations and guidance notes on the use of The Products are made without guarantee since the conditions of use are beyond the control of Alumasc Exterior Building Products Limited (The Company). The customer is responsible for ensuring that each product is fit for its intended purpose and that conditions for use are suitable.

The information contained in this brochure and advice arising therefrom is free of charge and accordingly on the terms that no liability nor liability for negligence will attach to the Company or its servants in relation to any such service arising out of or in connection with this brochure.

The Company pursues a policy of constant product development and information contained in this publication is therefore subject to change without notice.