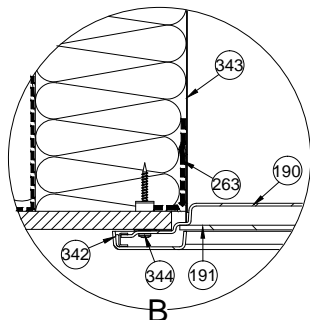


A - A

- 1-Water draining gutter
- 2-Polyurethane insulating wedge
- 3-Tile supporting profile
- 17-Rafter
- 50-Installation connector
- 190-transparent diffuser PMMA with UV filter
- 191-mat diffuser PMMA with UV filter
- 263-polyvinyl tape (fixed and sealing tape)
- 342-ceiling strap
- 343-rigid light transmitting tube
- 344-screw fixing ceiling frame
- 690-flashing FAKRO

SRZ Ø[mm]	X[mm]	Y[mm]
250	325	325
350	425	425
550	625	625



	SRZ	TILE	15° - 60°
Vertical and horizontal cross-section: FAKRO Light Tunnel SRZ with SLZ flashing for profiled roofing materials			FORMAT: A4
			SCALE: 1:10/1:5
			DATE: 07.2017

Warning! The present drawing is for informational-demonstrative purposes only and as such cannot constitute a basis for performance. All dimensions presented in this drawing should be verified on site. Because of the fact that the drawing is a schematic one, FAKRO shall not assume any responsibility for the actual installation quality on the roof. This drawing is FAKRO's property and cannot be published or used publicly without our written consent.