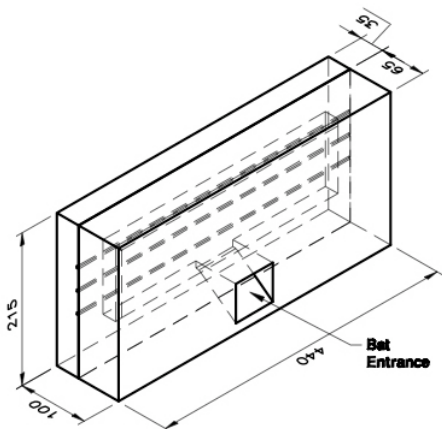




Product Information – Bat Box



- The Forticrete Bat Box has been developed to be used in new build construction or renovation work where there is a requirement to provide a habitat for Pipistrelle bats.
- The box is made of a conventional cast stone front face but is backed with high grade plywood which is sawn and roughened internally to provide a haven for bats.
- The Bat Box is maintenance free due to the bottom entrance.
- The Bat Box illustrated is available from Forticrete's 'Stone in Stock' range although bespoke boxes can be designed and made for any application.



For more information please contact Forticrete at:
caststone@forticrete.com

Telephone: **01909 775000**
Fax: **01909 773549**

You can also visit our website at
www.forticrete.com