

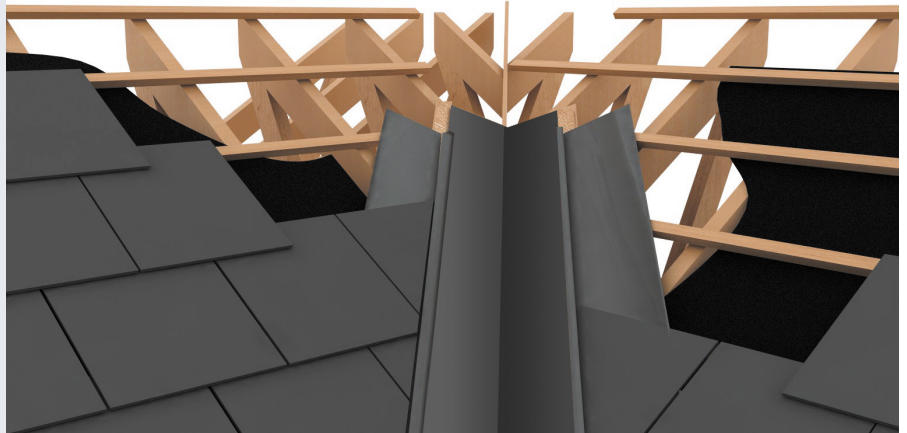
# Technical Datasheet C12 DRY VALLEY TROUGH



## Product Details

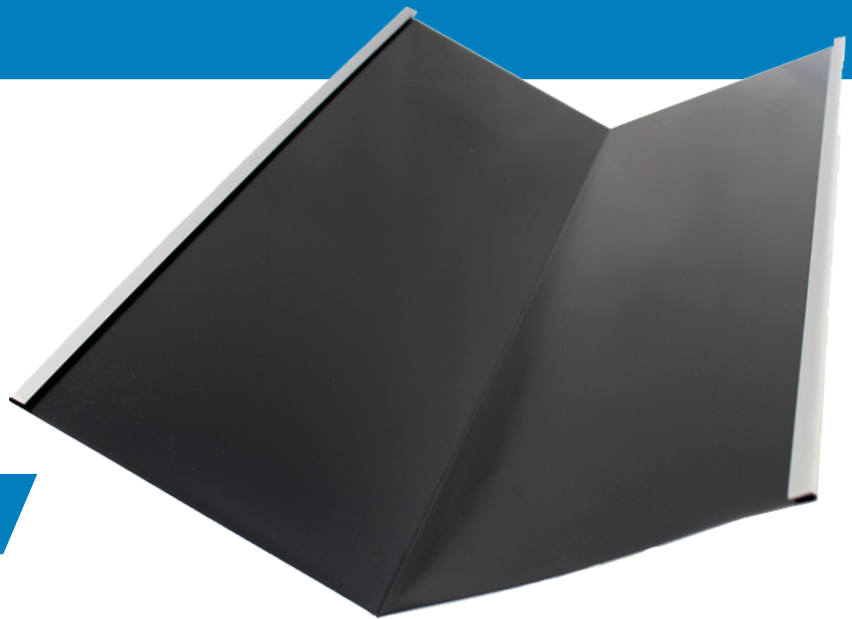
Aluminium Valley Troughs are an excellent alternative to lead, more cost effective, tougher, and more resistant to accidental damage.

The use of Aluminium Valley Troughs have significantly reduced installation time over traditional methods.



## Product Features

- Cost effective alternative to Lead
- Lightweight and durable
- Easy to work with
- Will not warp, crack or discolour
- Suitable for slate and tiled roofs
- Pre-formed



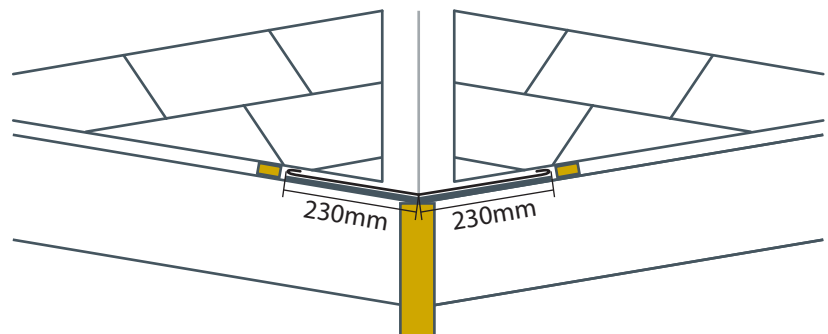
## Dimensions

### C12 Dry Valley Trough Aluminium

- Available in a range of colours including, Blue/Black & Black

#### Dimensions & Weight

- 4 Kg per 2.4m Length
- 460mm x 2.4m



Kytun (UK) Ltd.  
Brook House, Stock Lane  
Halifax, West Yorkshire  
HX2 7RU

T: +44 (0) 1684 293702  
E: info@kytun.com

[www.kytun.com](http://www.kytun.com)