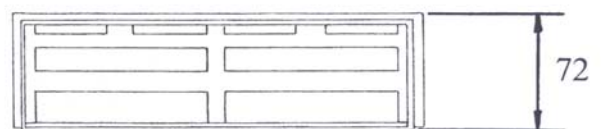
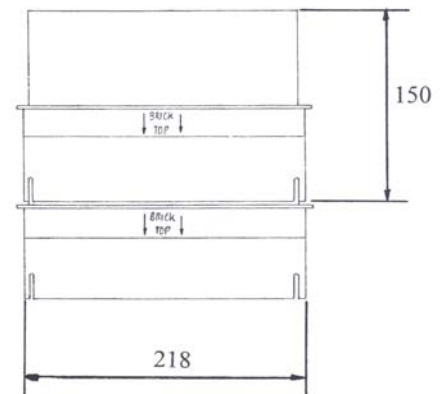
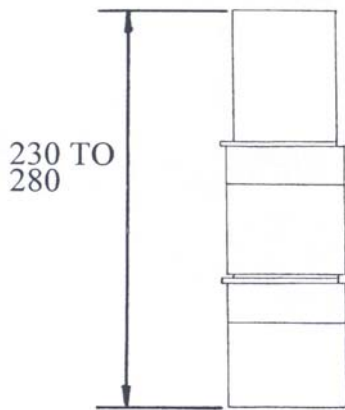
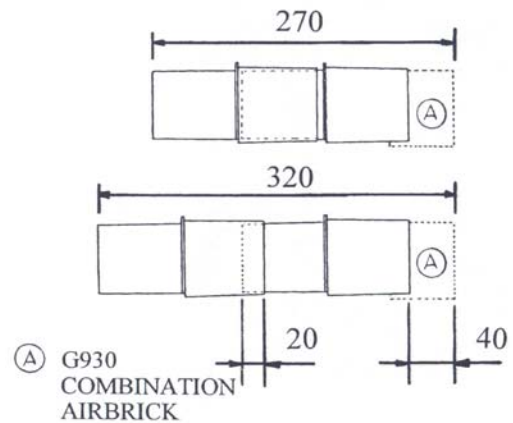
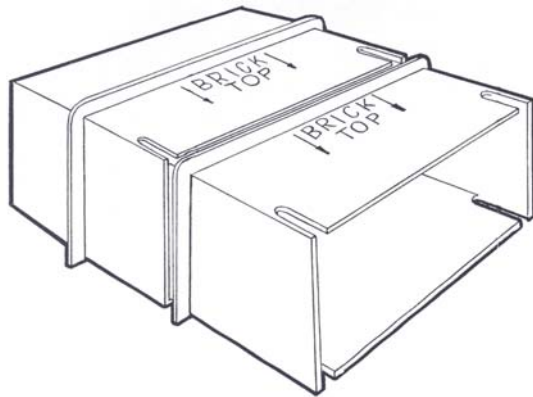


Combination Cavity Sleeve

CODE **G935**



Description:

The G935 Combination Cavity Sleeve is designed to fit to the back of a G930 Combination Airbrick 9" x 3". Alternatively it can be stacked to form 9" x 6" or 9" x 9" formations.

A telescopic ability enables the G935 to adjust to fit cavity widths of 50mm to 100mm. Further horizontal extension is possible with the addition of extra units.

COLOURS	Black
PACKING DETAILS	Packed in 10's per cardboard box
WEIGHT	1.7kg per box
MATERIAL	High Impact Styrene
MANUFACTURING PROCESS	Injection Moulded
FREE AIRFLOW	6,600mm ²

MANTHORPE BUILDING PRODUCTS LTD
MANTHORPE HOUSE
BRITAIN DRIVE
CODNOR GATE BUSINESS PARK
RIPLEY
DERBYSHIRE DE5 3ND

TEL: 01773 514 200
FAX: 01773 514 262
EMAIL: sales@manthorpe.co.uk
WEB: www.manthorpe.co.uk

DRN M.L.W.O Date 01.08.03

The company maintains a policy of continuous development of its product range and reserves the right to amend the specification without notice.

DRG No

MBP 8055

Issue

A