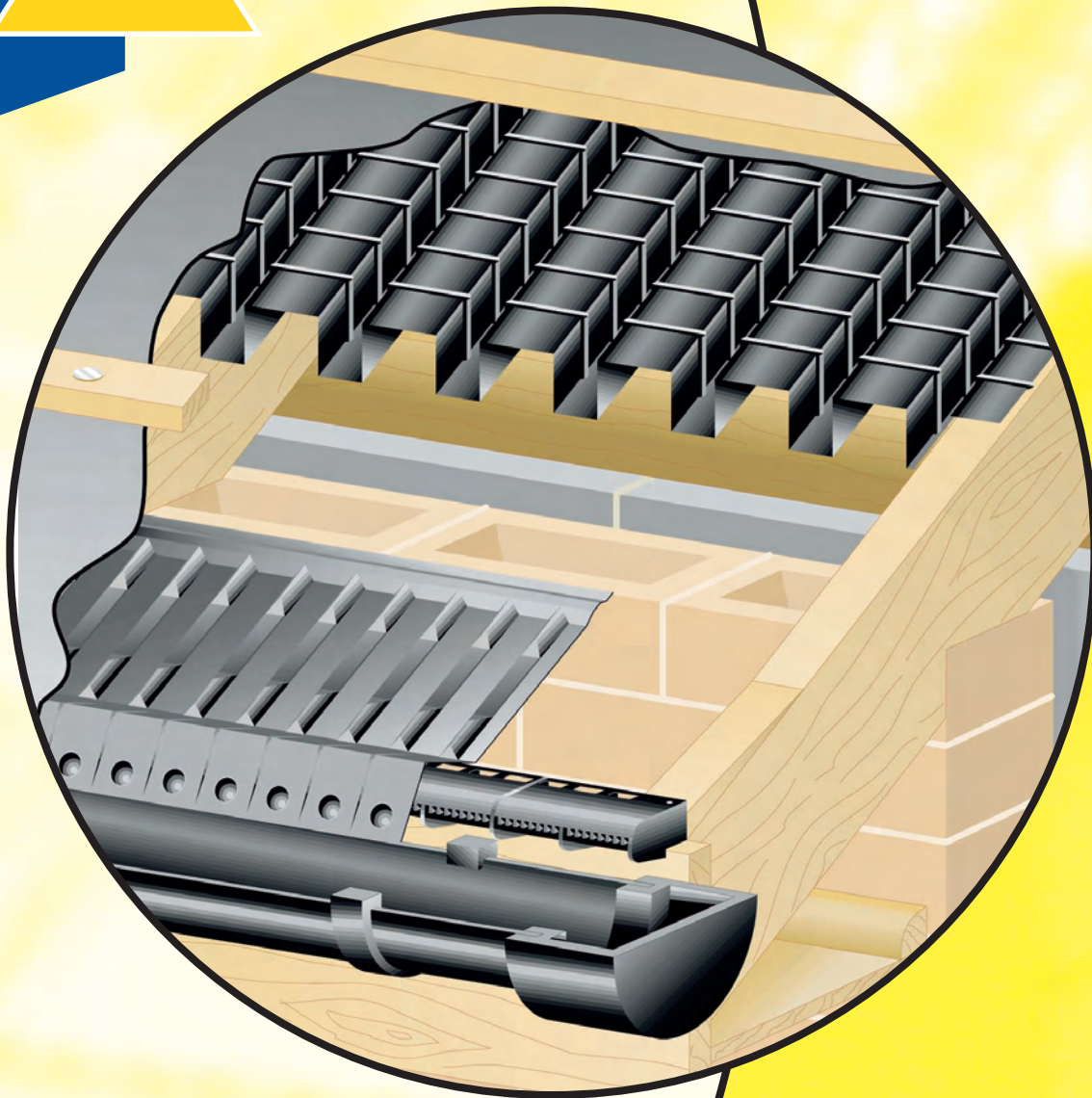


# MANTHORPE BUILDING PRODUCTS



CI/SfB (47) X



## ROOF VENTILATION PRODUCTS

Featuring the Universal Vent Pack





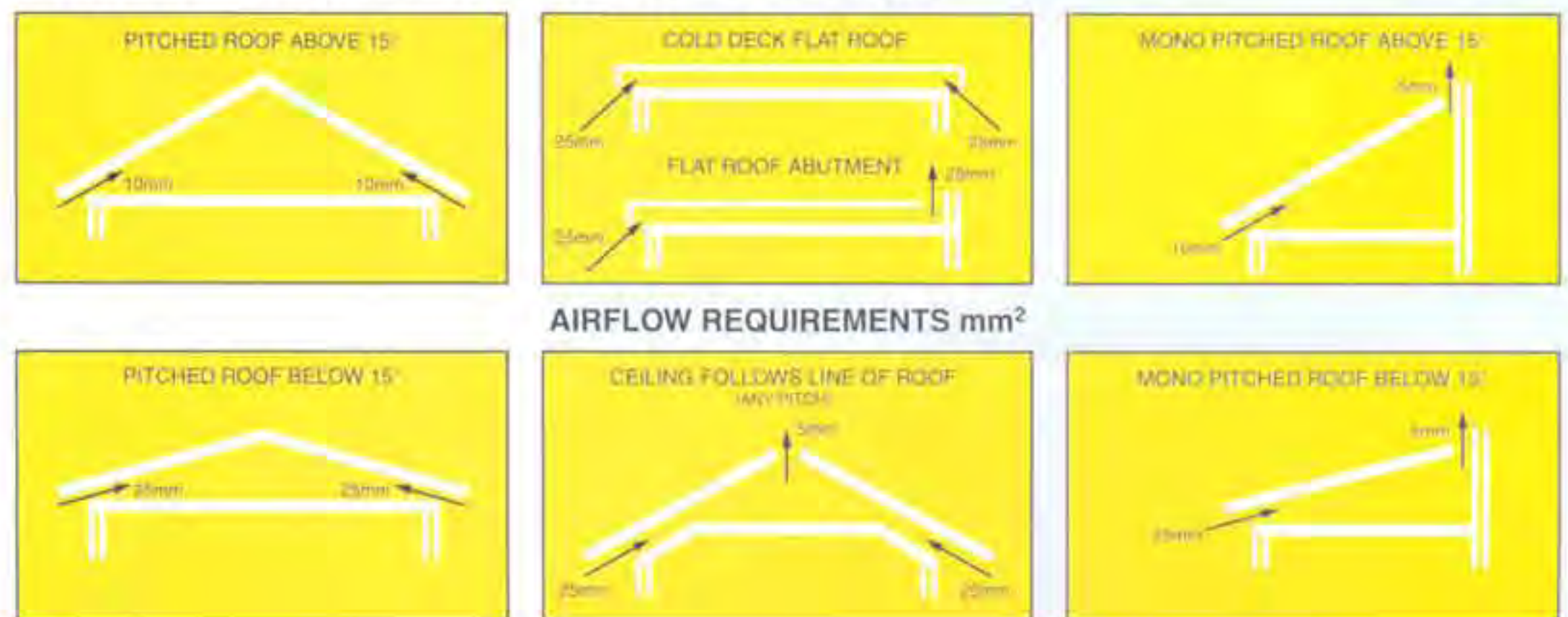


One of the major problems experienced by today's energy conscious society is the build up and effects of significant levels of condensation in the roof space.

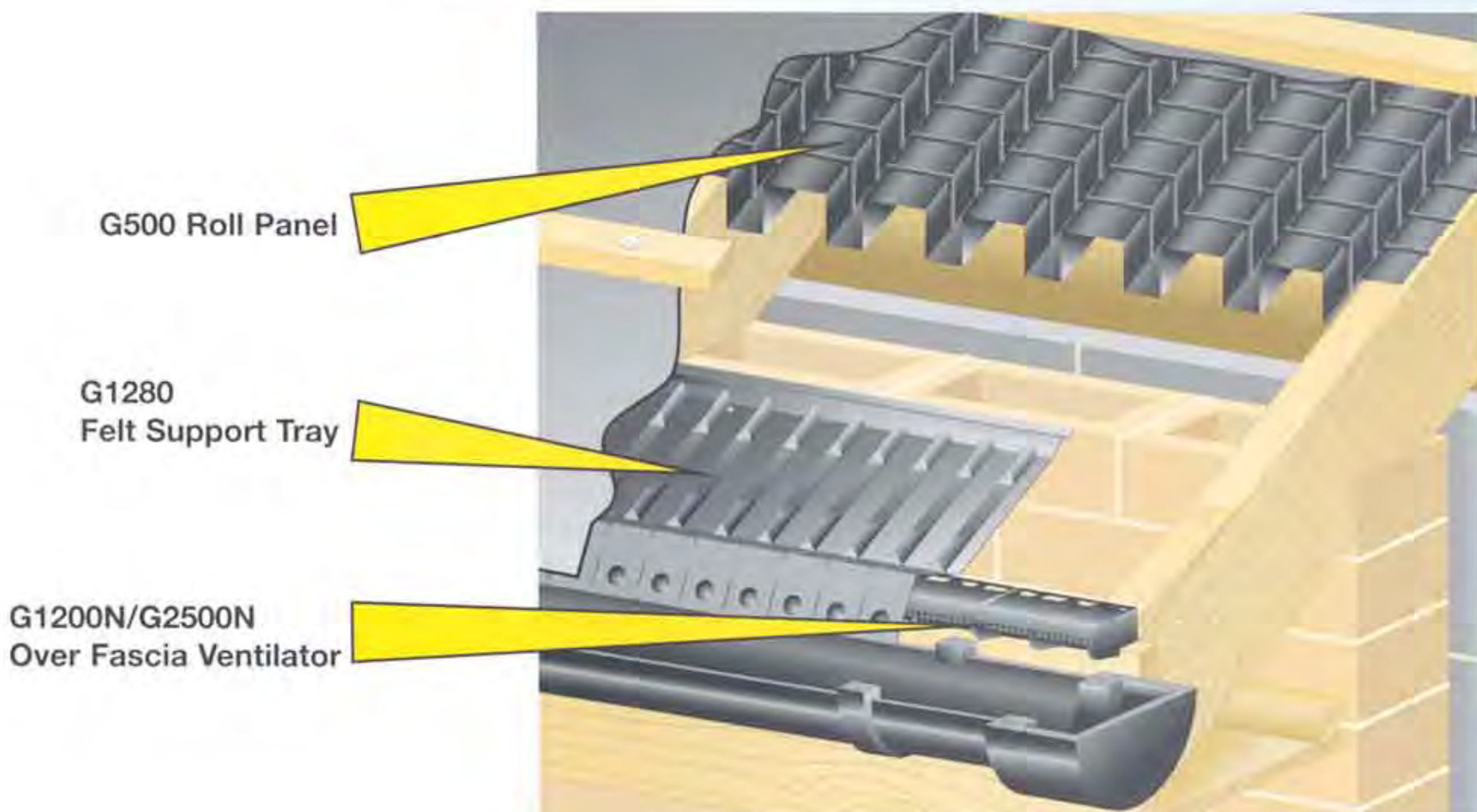
Condensation is encouraged by the widespread use of insulating materials, central heating and double glazing. Along with the reduction in natural ventilation, the temperature differential between the dwelling areas and the cold roof space is increased. The warm, internal air carrying high levels of water vapour is naturally drawn, by the process of convection, to the cold areas of the building including the roof void.

Here, if there is insufficient ventilation, condensation occurs causing rotting timbers, rusting and weakening of metal fixings, felt damage and mould growth. Items stored in the loft are often rendered useless and the general outcome involves significant expenditure to rectify the problems.

To eliminate this unnecessary cost Manthorpe manufactures a range of quality roof ventilation products which are suitable for new build and refurbishment situations.



**G1290/G1292 UNIVERSAL ROOF VENTILATION PACK**

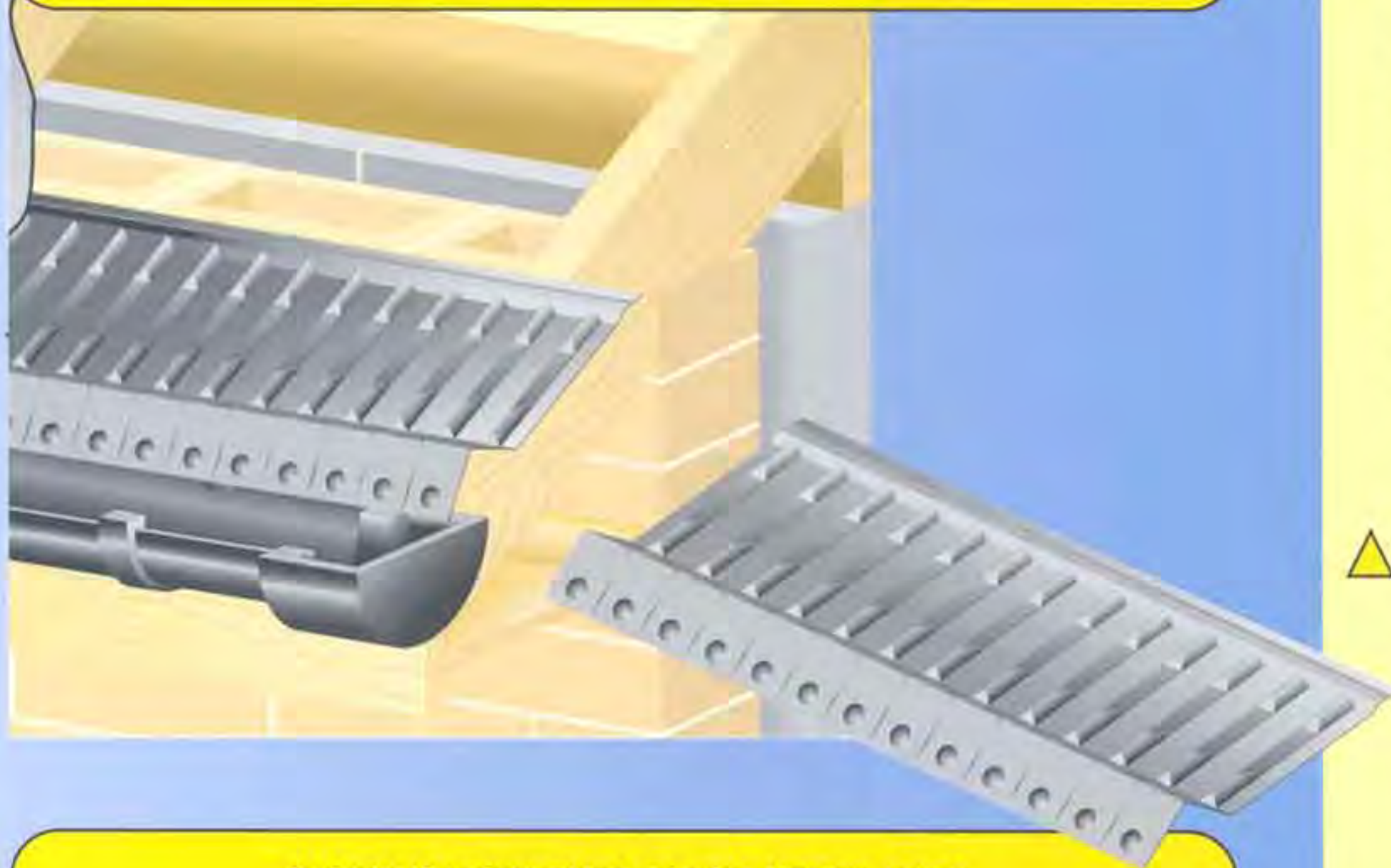




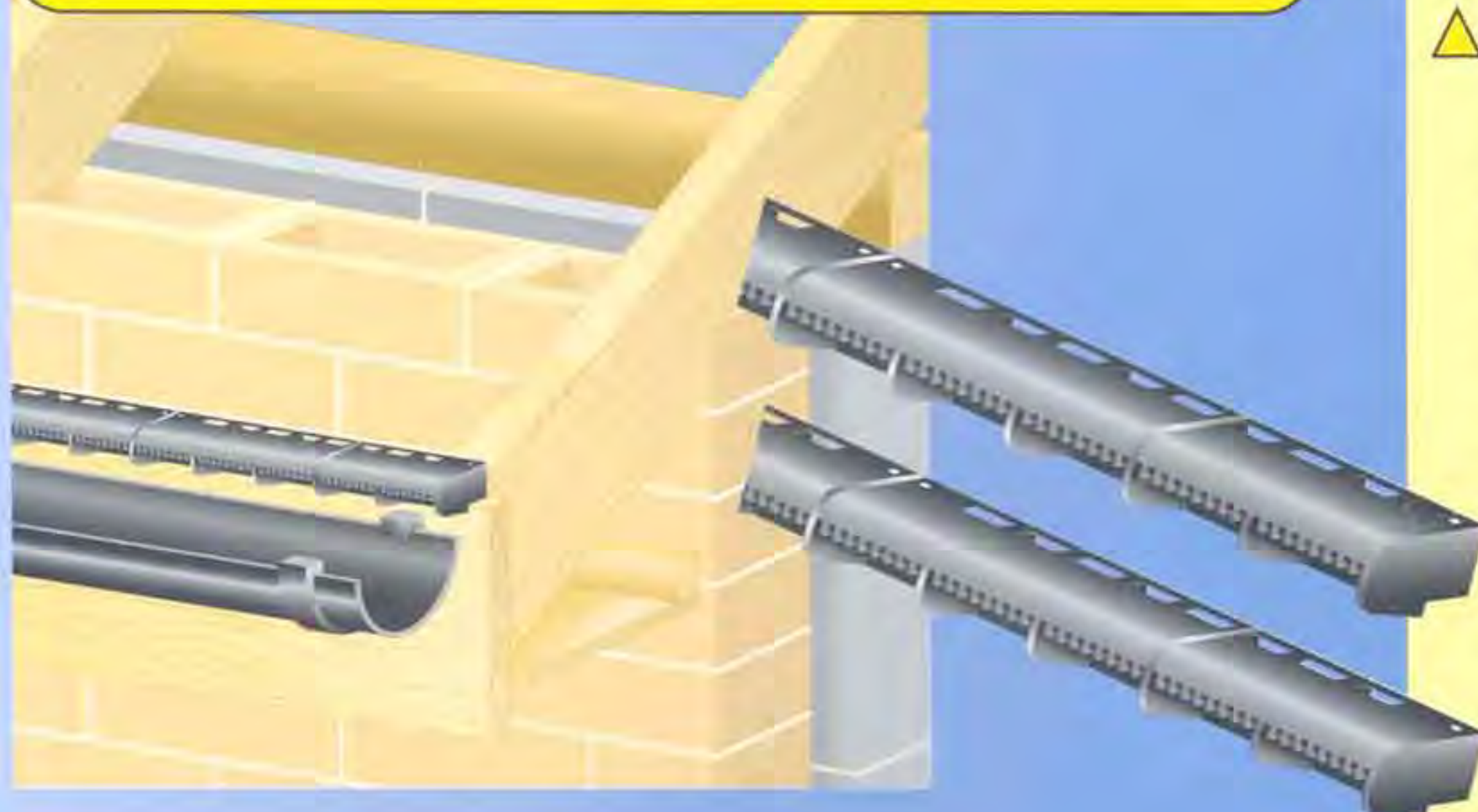
### G500/G502 CONTINUOUS ROLL PANEL



### G1280 FELT SUPPORT TRAY



### G1200N/G2500N OVER FASCIA VENTILATOR



▲ The Manthorpe **G1290/G1292** 6 metre **Ventilation Pack** provides a practical and cost effective solution for roof ventilation requirements. With a 6 metre run of Manthorpe over fascia ventilator, roll panel and felt support tray, all the products supplied in the pack are designed to comply with Building Regulations and British Standards. Available for 10mm<sup>2</sup> and 25mm<sup>2</sup> ventilation situations.

▲ The **Continuous Roll Panel Eaves Ventilator** provides a simple and economical solution to the problem of eaves ventilation. Suitable for 400mm, 450mm and 600mm rafter centres, the vacuum formed roll should be fixed to the rafters at one end of the roof, ensuring that the lower edge overhangs the wall plate and simply rolled and nailed or stapled at the required length. The panel has vertical strengthening ribs and is suitable for new build situations. Its flexibility also makes it ideal for refurbishment where rafter centres are often not consistent or unknown. A double width version, the **G502**, is available for use with extra thick insulation.

▲ The function of the Manthorpe **Felt Support Tray** is to prevent roofing felt sagging and puddling. The **G1280** helps to create a consistent airflow through the fascia vent.

▲ Designed with a smooth leading edge to be fitted on the top of the fascia board, the slimline **over fascia ventilator** discreetly ensures a positive passage of airflow into the roof space between the felt and fascia board making it ideal for new build and re-roofing situations. The **G1200N** gives 10mm<sup>2</sup> continuous airflow while the **G2500N** provides 25mm<sup>2</sup> airflow and is also suitable for use in flat roof abutment situations.



### G600/G450/G400 CROSS FLOW EAVES PANEL



- △ The **Cross Flow Eaves Panel** range comprises rigid vacuum formed trays designed to provide an air passage between the roof felt and loft insulation to enable ventilation of the roof space. Sizes are available to encompass the majority of rafter centres.

### G605/G405/G455 CROSS FLOW FLYSCREENED EAVES PANEL



- △ Manthorpe provides a range of rigid, flat pack, vacuum-formed panels designed for an easy fix for open eaves or cottage style eaves. The panels include a 4mm fly screen.

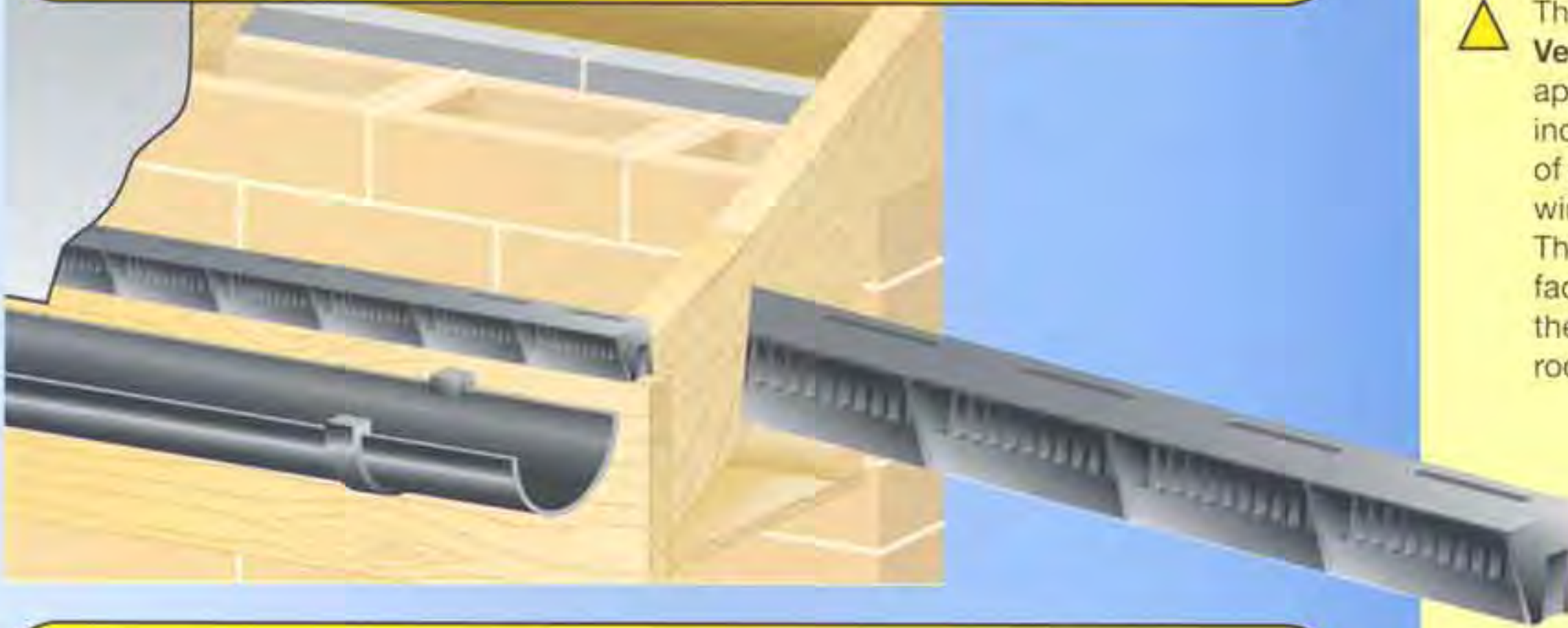
### G435/G645 REFURBISHMENT EAVES VENTILATOR



- △ These panels are designed to be used in refurbishment situations and are fitted from within the roof space. Their flexibility allows them to be folded to accommodate various roof pitches. By tucking the insulation well into the fold of the ventilator maximum airflow is achieved.



### G1250 WIND BAFFLED OVER FASCIA VENTILATOR



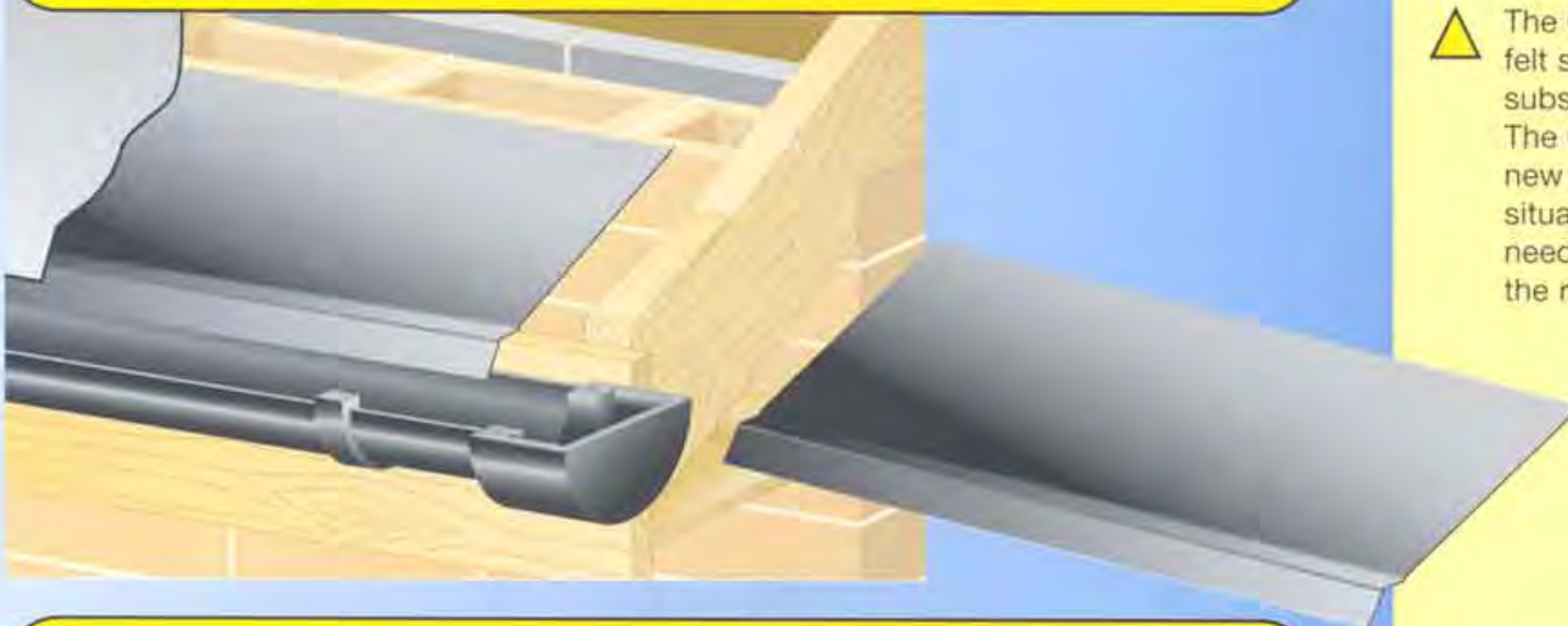
⚠ The **Baffled Over Fascia Ventilator** has the same application as the **G1200N** but incorporates the added feature of a double frame to slow down wind entry into the roofspace. This reduces the wind chill factor effect and subsequently the possible freezing up of roofspace services.

### G1275 EAVES COMB FILLER



⚠ The **G1275 Eaves Comb Filler** is designed to prohibit entry of birds and large insects below the eaves of profiled tiles. The product runs continuously along the top of the fascia board above the felt and is nailed into position with the fixing holes provided.

### G1281 REFURBISHMENT FELT SUPPORT TRAY



⚠ The **G1281 Felt Tray** prevents felt sagging at eaves level and subsequent ponding of water. The **G1281** is simply fitted in new build or refurbishment situations and eliminates the need to strip a large section of the roof to replace old felt.

### G700 CIRCULAR SOFFIT VENTILATOR



⚠ Designed to be fitted to the soffit board prior to installation for new build situations, the **G700** can also be easily retro-fitted into existing soffit boards. Standard fixing for this product is a simple push twist action into a 70mm hole drilled in the soffit board.



### G800/G825 CONTINUOUS SOFFIT VENTILATOR



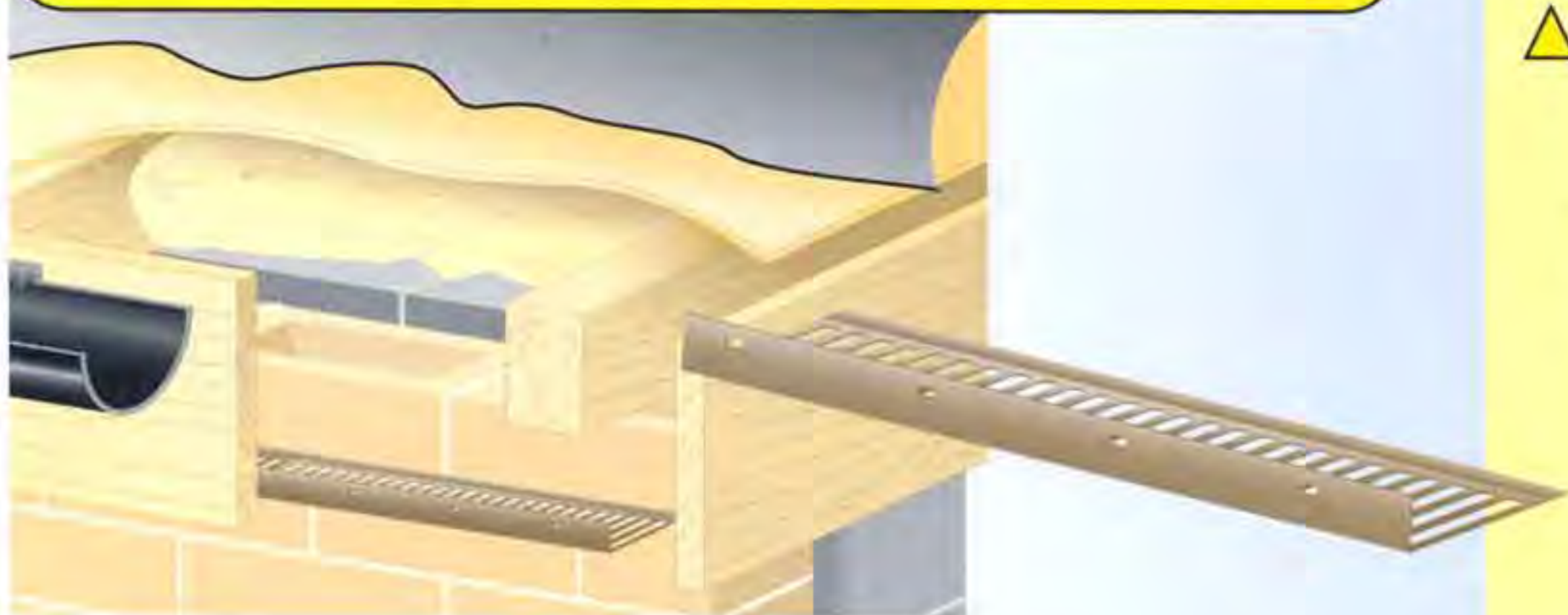
▲ The **Continuous Soffit Ventilator** is designed to provide the solution to roof ventilation where a traditional fascia board is specified. Manufactured in UPVC section, it is screwed onto the fascia board and securely supports the soffit board which is inserted into the self retaining mouth. The airflow passage consists of evenly spaced slots specifically sized to prohibit large insects gaining access but wide enough not to be blocked by debris.

### G821 CONTINUOUS SLOPING SOFFIT VENTILATOR



▲ The **Sloping Soffit Ventilator** is designed to provide the solution to ventilation needs for sloping eaves. Manufactured in UPVC, the angled section ensures a positive fixing to the soffit board and prevents blocking of the ventilation slots.

### G826 FLAT ROOF SOFFIT VENTILATOR



▲ The **G826 vent** is designed for a flat roof application where an upright fixing is required to ensure airflow. Supplied in 3.1 metre lengths for a variety of applications with or without soffit board.

### G827 LOW PITCH & FLAT ROOF SOFFIT VENTILATOR



▲ The **Flat Soffit Strip G827** is designed to provide airflow for low pitched and flat roof applications. The principal use is with thick section soffit boards in the flat or sloping position.



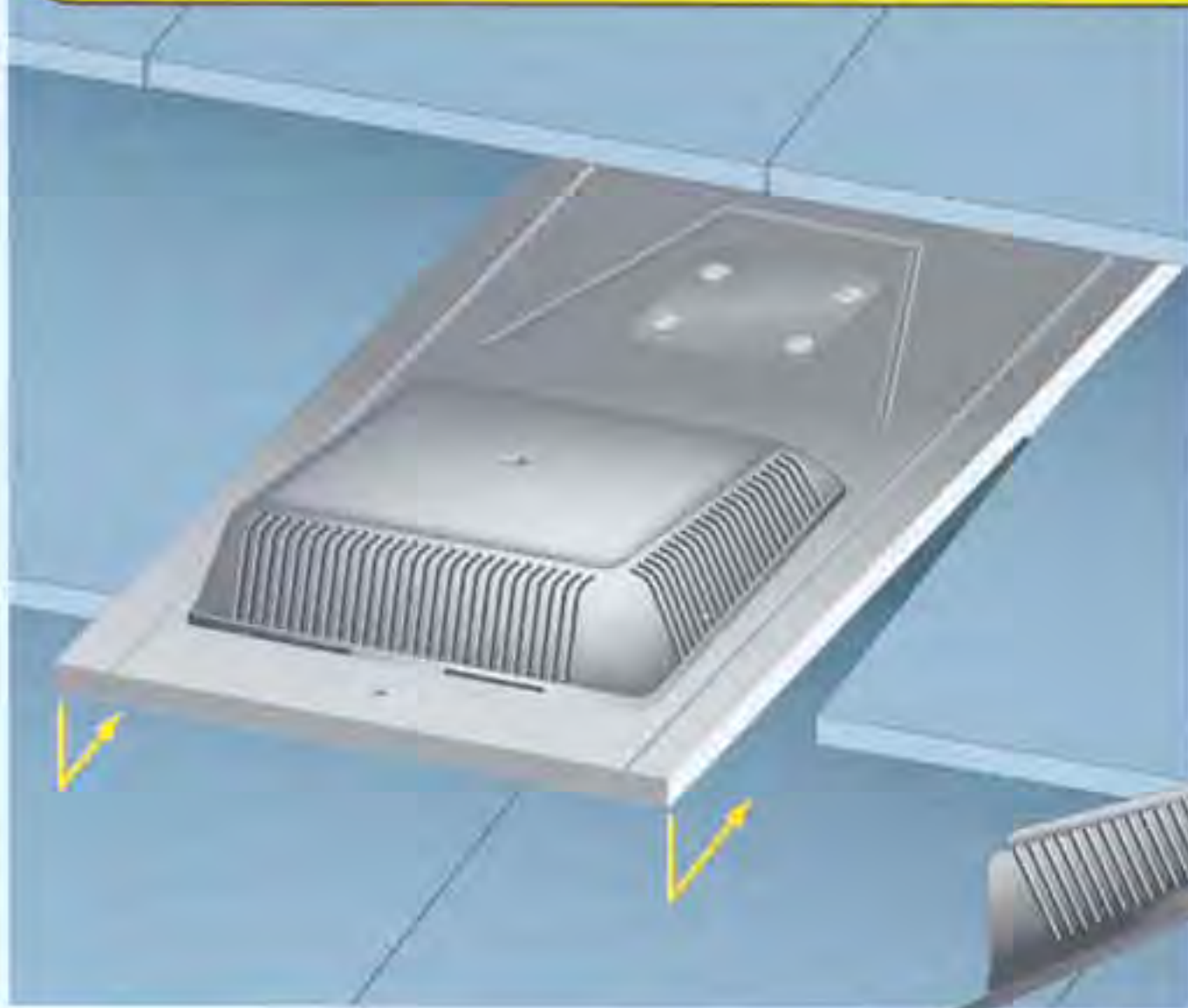
### GRSV30/25/45 ALPHA VENT II FOR SLATES



- △ All sizes of **Alpha Vent** allow 10,000mm<sup>2</sup> airflow per unit providing an unobtrusive, economical, high or low level roof ventilator. Manufactured from UV stabilised durable polypropylene the **Alpha Vent** has an integral insect grille and connection spigot. Manthorpe's **Alpha Slate Vent** has proved outstanding in independent performance tests.

Available in a large base format for random slating, **GRSV45**.

### GRSV30/25R/45R ALPHA FAST FIT SLATE VENT



- △ The **Alpha Fast Fit Refurb Vents** without the original vent's spigot mounting on the base makes retro-fitting into existing surrounding slates easier. It is simply slid between natural or man-made slates already in position with no need to cut battens.

- △ Specially designed for use with the Manthorpe **Alpha Vent for Slates** the Manthorpe **Flexible Pipe** provides an economical quick and effective connection between most common roof vent terminals and standard 4" soil pipe and ventilation ducting systems. Supplied with worm drive band clamp for secure fitting.

### GRPA/GRPA1/GRPA3 FLEXIBLE PIPE




- △ Made from flexible low density polyethylene Manthorpe's **Super Flexipipe** is suitable for 4" diameter vent applications and is a substantial 692mm long. The extra length, ultra flexible **GRPA1** now makes fitting 4" roof ventilation products to soil pipe or mechanical extraction equipment even easier. Each Manthorpe **Super Flexipipe** allows 8,000mm<sup>2</sup> airflow and is supplied with its own metal screw clamp for simple fixing.

**GRPA3** enables connections from 4" to 3" ventilation products.



## PRODUCT SPECIFICATION GUIDE

Product Reference	Free Airflow mm <sup>2</sup>	Size	Material	Integral Insect Grille	Colour	Box Qty
G500 Continuous Roll Panel	10/25	325mm wide	PVC		Black	12LM
G502 Continuous Roll Panel	10/25	650mm wide	PVC		Black	12LM
G600 Cross Flow Panel	10	450mm wide	PVC		Black	50
G450 Cross Flow Panel	10	350mm wide	PVC		Black	50
G400 Cross Flow Panel	10	350mm wide	PVC		Black	50
G605 Cross Flow Panel	10	450mm wide	PVC	✓	Black	50
G455 Cross Flow Panel	10	450mm wide	PVC	✓	Black	50
G405 Cross Flow Panel	10	450mm wide	PVC	✓	Black	50
G435 Refurbishment Panel	10/25	250mm wide	PVC		Black	50
G645 Refurbishment Panel	10/25	250mm wide	PVC		Black	50
G1280 Felt Support Panel		310mm wide	PVC		Black	50
G1281 Refurbishment Felt Support Panel		1.5m long	PVC		Grey	10
G1290 Ventilation Pack	10	6m long				6LM
G1292 Ventilation Pack	25	6m long				6LM
G1200N Over Fascia Ventilator	10	1m long	Polypropylene	✓	Black	20
G2500N Over Fascia Ventilator	25	1m long	Polypropylene	✓	Black	20
G1250 Wind Baffled Over Fascia Vent	10	300mm long	Polypropylene	✓	Black	40
G1275 Eaves Comb Filler		1m long	Polyethylene		Black	50
G800 Soffit Strip	10	2.44m long	UPVC	✓	White/Brown/Black	10
G825 Soffit Strip	25	2.44m long	UPVC	✓	White/Brown	10
G821 Sloping Soffit Strip	10	2.44m long	UPVC	✓	White/Brown	10
G826 Soffit Strip	25	3.1m long	UPVC	✓	Brown	10
G827 Soffit Strip	25	2.44m long	UPVC	✓	White/Brown	10
G700 Circular Soffit	2150	70mm dia	Polypropylene	✓	White/Brown/Black	50
GRSV30/25 Alpha Vent for Slates	10000	600x300/500x250mm	Polypropylene	✓	Black	10
GRSV30/25R Refurbishment Slate Vent	10000	600x300/500x250mm	Polypropylene	✓	Black	10
GRSV45 Random Slate Vent	10000	600x450mm	Polypropylene	✓	Black	5
GRSV45R Refurbishment Slate Vent	10000	600x450mm	Polypropylene	✓	Black	5
GRPA Flexible Pipe	8000	455mm long	Polyethylene		Black	10
GRPA1 Flexible Pipe	8000	692mm long	Polyethylene		Black	5
GRPA3 Reduction Adaptor	5280	3"/4"	ABS		Black	10

 **Manthorpe has a range of technical data sheets available on request to provide step by step guidance plus a Technical Helpline for one-to-one advice.**

**Simply call  
01773 514200**



### REFERENCES

BRE	DIGEST 262/270
BSI	BS5250
DOE	Building Regs F2
NHBC	Good Practice Guide
NHBC	Standards 7.2

### MANTHORPE QUALITY

Manthorpe manufactures a range of ventilation and building products at its headquarters in Derbyshire under an ISO9001 Quality Assurance Scheme.

All products are designed to comply with the relevant current Building Standards when fitted in accordance with the manufacturer's instructions. The company maintains a policy of continuous development of its product range and reserves the right to amend the specifications without notice.

**MANTHORPE  
BUILDING PRODUCTS**



MANTHORPE BUILDING  
PRODUCTS LIMITED  
MANTHORPE HOUSE,  
BRITAIN DRIVE,  
CODNOR GATE BUSINESS PARK,  
RIPLEY, DERBYSHIRE  
DE5 3ND

TELEPHONE: (01773) 514200

FAX: (01773) 514262

E mail: sales@manthorpe.co.uk

Website: <http://www.manthorpe.co.uk>