



Here
to help

LINCOLN TILE VENT
TERMINAL

FIXING INSTRUCTIONS

Lincoln Tile Vent Terminal



Tell me more

Call 08705 626400

Email info@marley.co.uk

Or visit marley.co.uk

Marley, Lichfield Road, Branston,
Burton upon Trent, DE14 3HD

December 2018



Installation

- 1 Determine the position of the tile vent terminal (ideally mid-span between rafters) and mark the position of the projecting spigot (Fig. 1). The spigot tray may be detached from underside of tile vent for accurate positioning at different batten gauges but must be be reassembled correctly.
- 2 Make a 'V' cut in the underlay centred on the spigot position 180mm x 180mm h x w, with the base of the V at the bottom of the batten (Fig. 2).

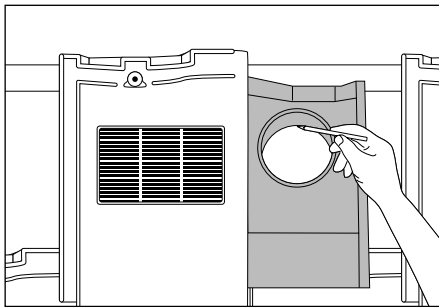


Fig 1

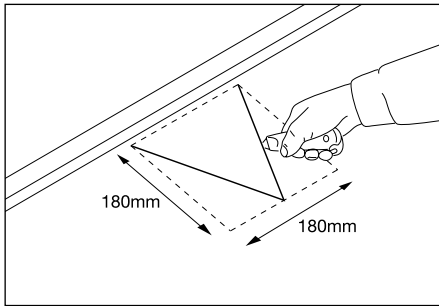


Fig 2

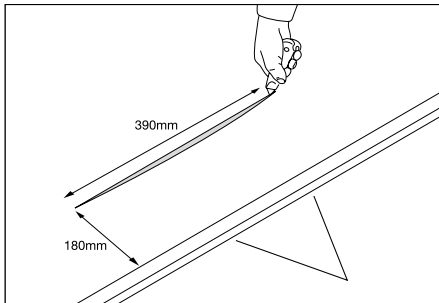


Fig 3

- 3 Make a horizontal cut in the underlay 390mm length at distance 150mm above bottom edge of batten supporting vent tile and slide soaker tray under batten and through this slit (Fig. 3).
- 4 Secure soaker tray by folding V cut underlay over the batten and nail into top edge of tiling batten (Fig. 4).
- 5 Insert vent tile and position adjacent roof tile to cover spigot aperture. Mechanically fix using Solofix tile clips and nails (Fig. 5).

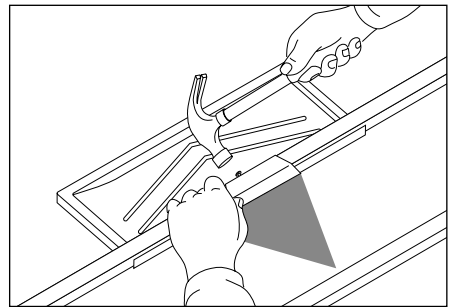


Fig 4

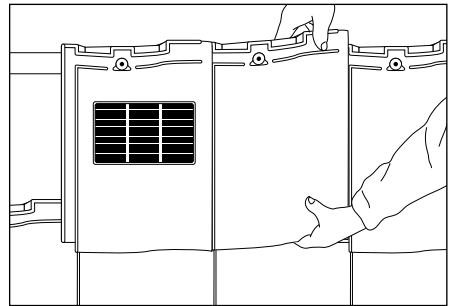


Fig 5