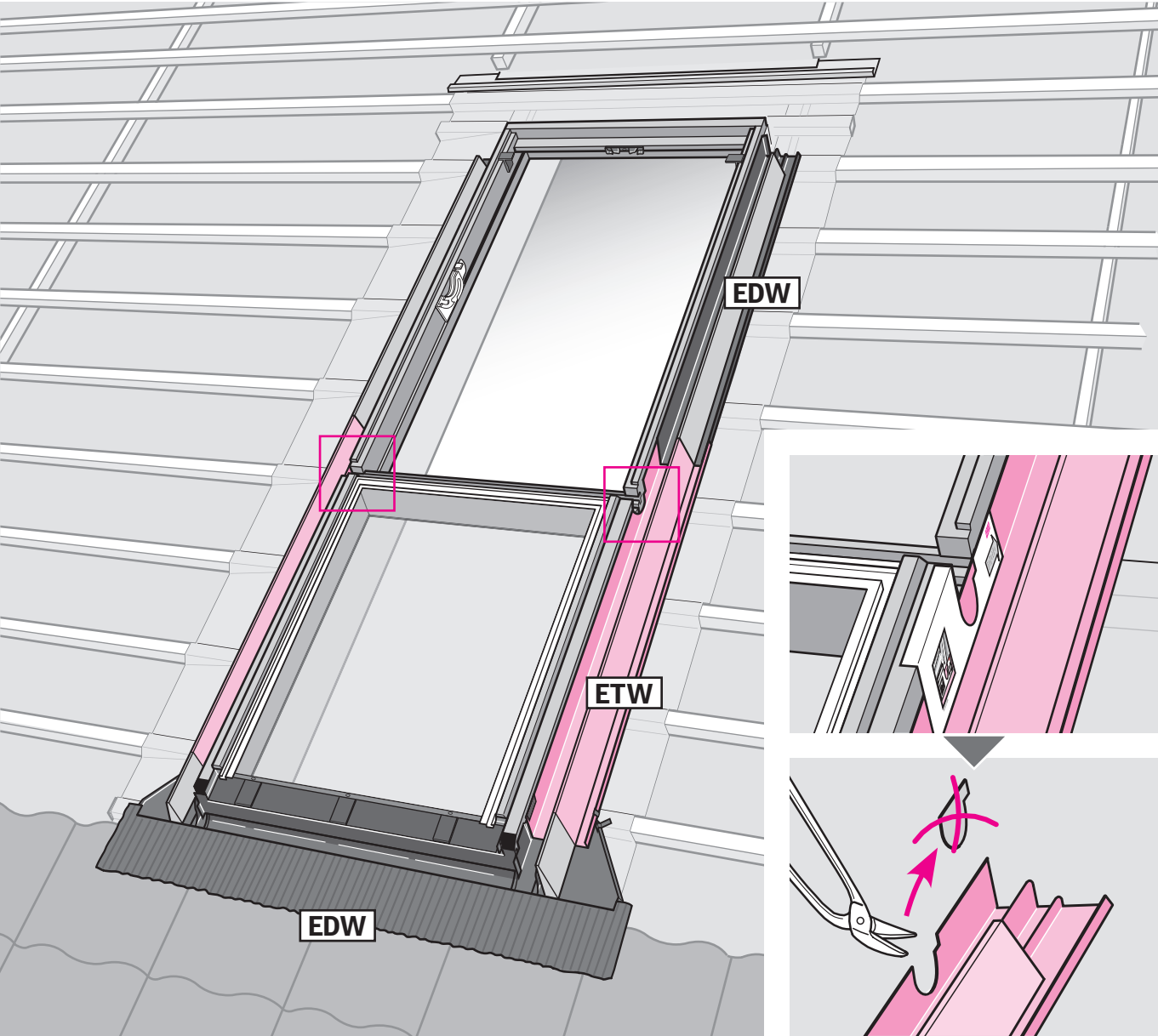
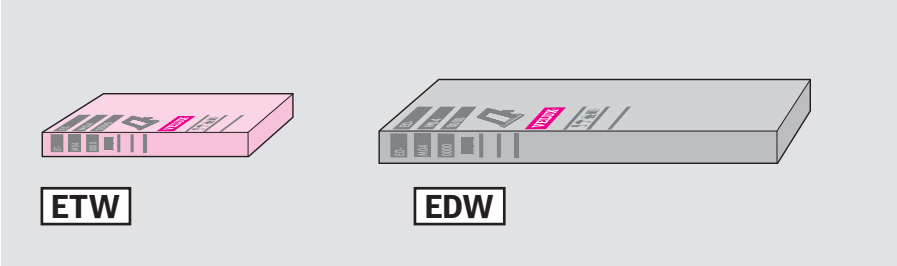
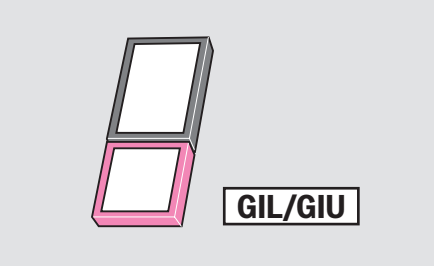


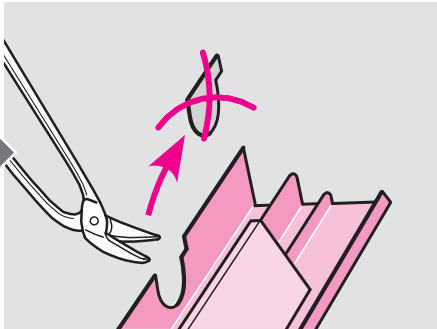
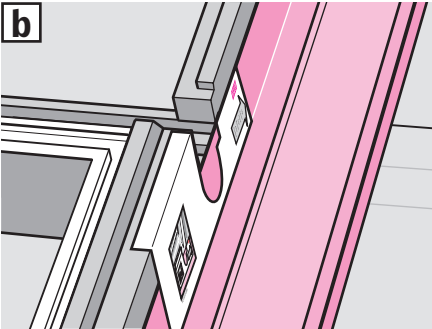
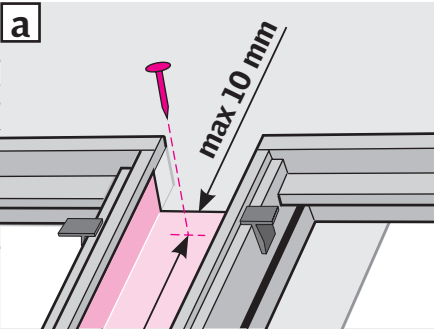
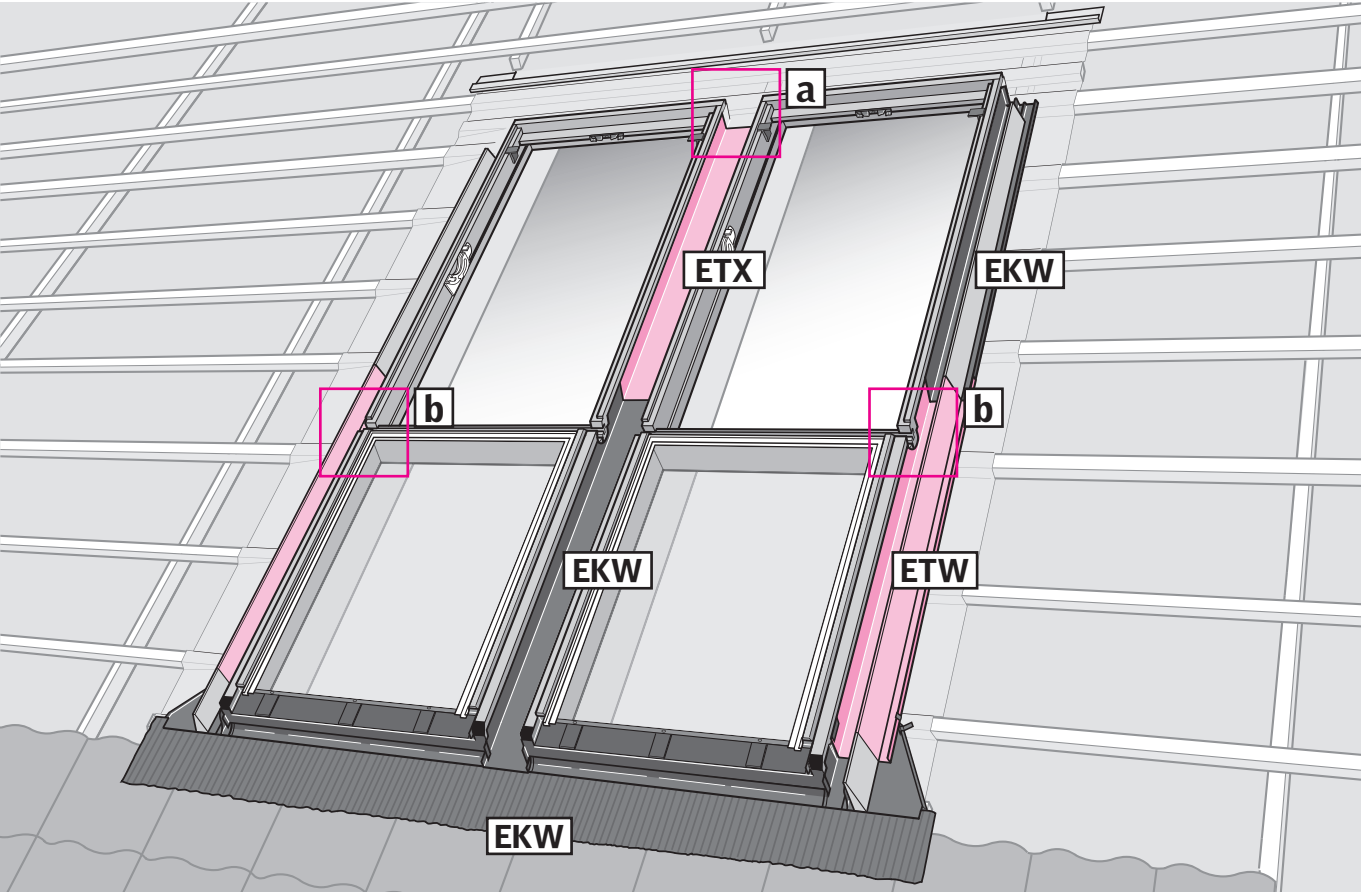
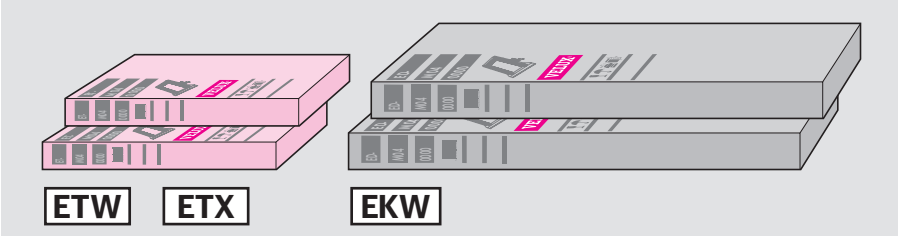
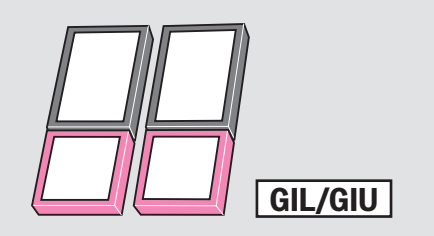
ETW+EDW



INSTALLATION INSTRUCTIONS FOR ETW+EDW. ©2008, 2009 VELUX GROUP. VELUX AND THE VELUX LOGO ARE REGISTERED TRADEMARKS USED UNDER LICENCE BY THE VELUX GROUP.



ETW/ETX+EKW



INSTALLATION INSTRUCTIONS FOR ETW/ETX+EKW. ©2008, 2009 VELUX GROUP. VELUX AND THE VELUX LOGO ARE REGISTERED TRADEMARKS USED UNDER LICENCE BY THE VELUX GROUP.

