

Installation Guidance

Aqualine Extruded Aluminium Gutters

Ref: IN002RW

General Advice

Generally

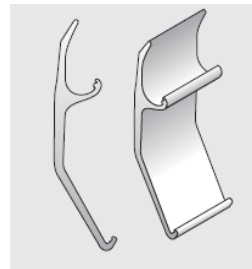
BS 8000 Workmanship on building sites, Part 13 Code of Practice for above ground drainage and sanitary appliances: 1989 is relevant in general terms.

Aqualine Starter Pack

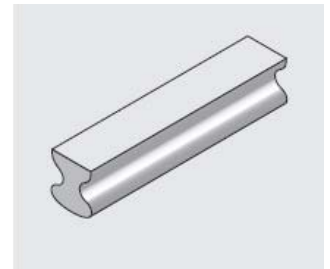
- P80 joint/seal lubricant
- 2 x jointing tool
- 10 x spare lock bars
- 20 x spare No 12 screws
- 8 x spare seal strips
- 20 x shims



Starter Pack



Jointing Tool



Lock Bar

Required Tools

- Tape measure & String line
- Drill & Drill bit = 3.5mm diameter
- Spirit level
- Posidrive screwdriver
- Metal cut saw
- Protective gloves

Cutting Lengths

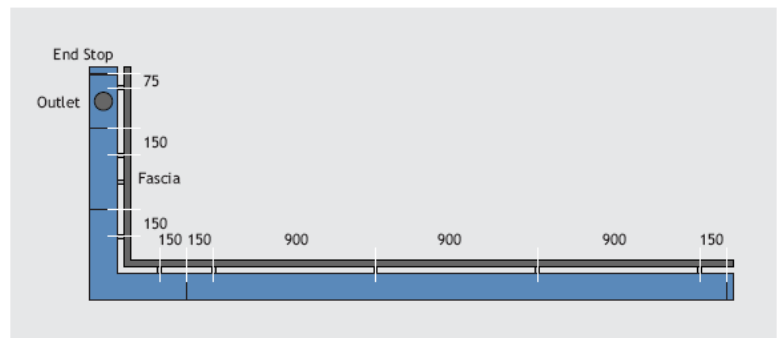
Gutters can be cut to length using normal metal working tools. Deburr cut ends and apply Alumasc colour matching enamel paint to cut surfaces.

Handling and Storage

Every care is taken to ensure that your rainwater system is delivered in factory condition. Avoid denting or scratching the gutters and pipes during handling. Store on a raised level pallet clear of site traffic.

Laying Level or to Fall

- Check for specific instructions i.e. 1:350 to 1:600 fall, otherwise set out gutter lines from corners/ends to outlets or from points midway between outlets.
- Position angles using 2 brackets per angle inset 150mm from each open end.
- Position outlets using 1 bracket inset 75mm from open end.
- At gutter ends where there is no outlet, position one bracket inset 150mm.
- As a guide there would be 4 brackets per 3m length.



Installation Guidance

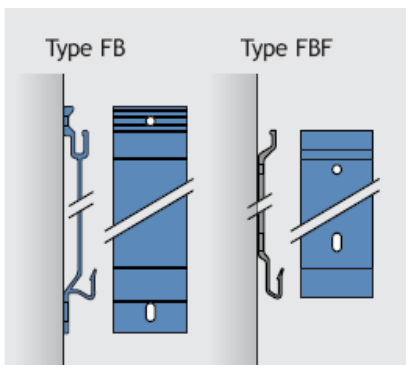
Aqualine Extruded Aluminium Gutters

Ref: IN002RW

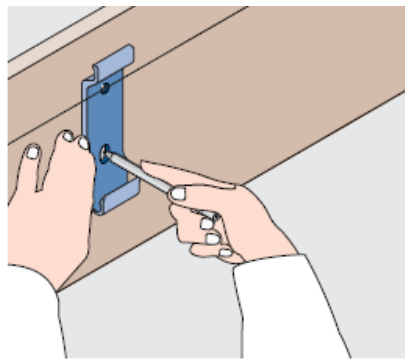
Bracket Fixing

- Use Bracket Type FB for Half Round and Deep Run Gutters.
- Use Bracket Type FBF for Modern, Moulded and Box Gutters.
- The fixing sequence illustrated shows Bracket Type FBF.

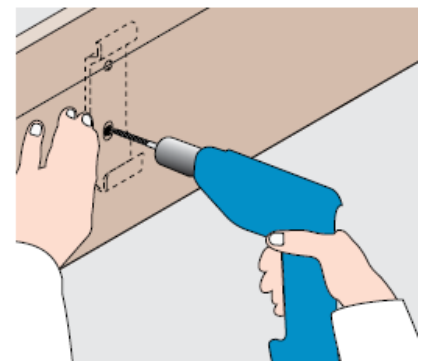
Accurate positioning vertically and horizontally will ensure correct gutter alignment for jointing.



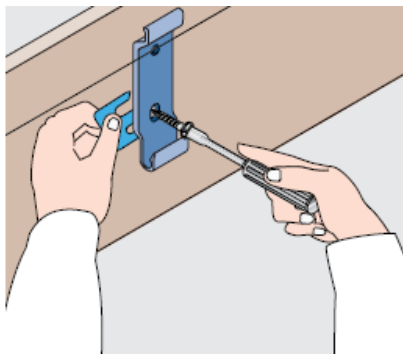
Bracket Types FB and FBF



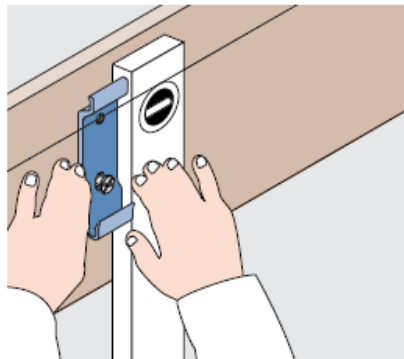
1 Set out with stringline



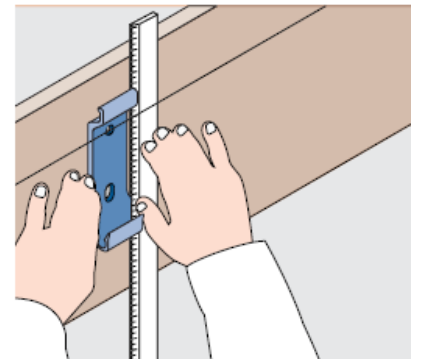
2 Position and pilot 3.5mm diameter hole



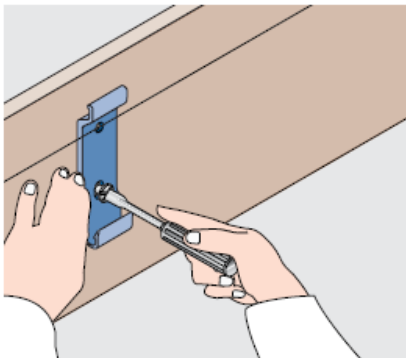
3 Shim and lightly tighten



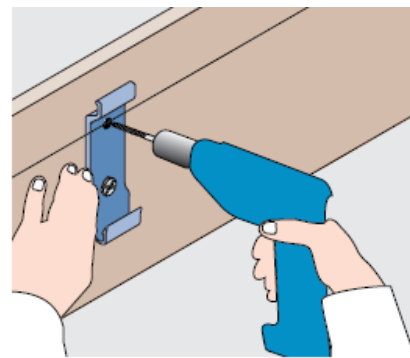
4 Set square



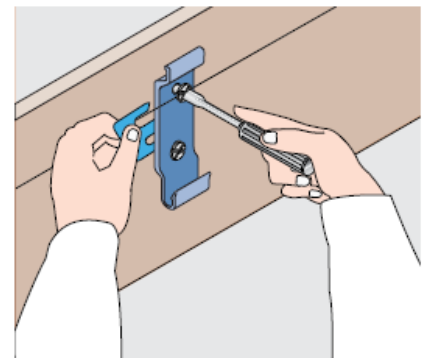
5 Check/adjust height



6 Tighten



7 Pilot 3.5mm diameter hole



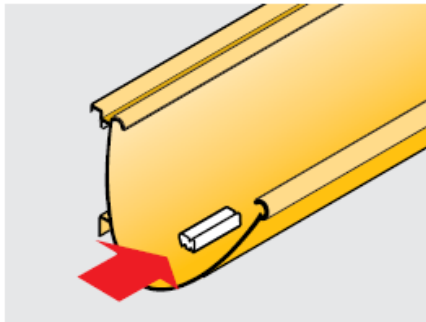
8 Shim and tighten

Installation Guidance

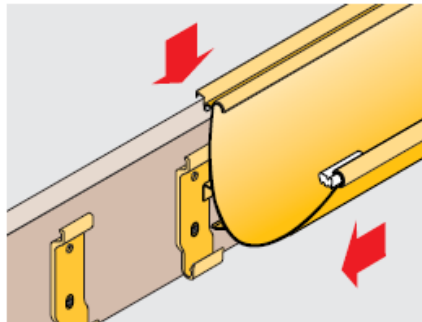
Aqualine Extruded Aluminium Gutters

Ref: IN002RW

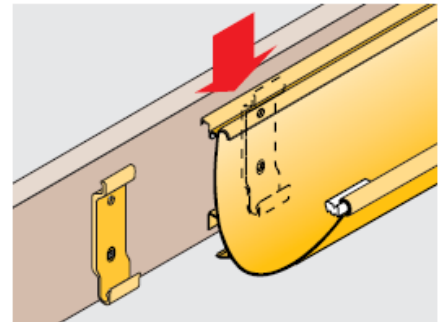
Gutter Fixing: Half Round, Deep Run & Modern Profiles



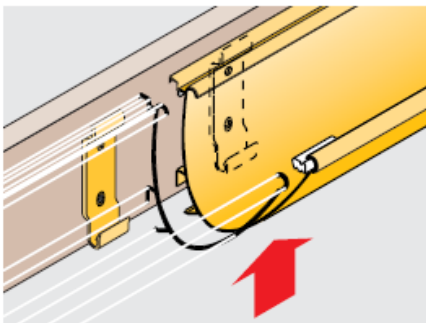
Pre-insert slide lock bars (single)



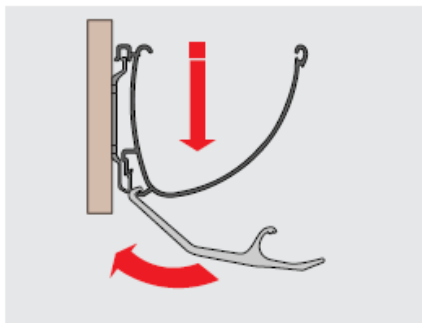
1 Position gutter



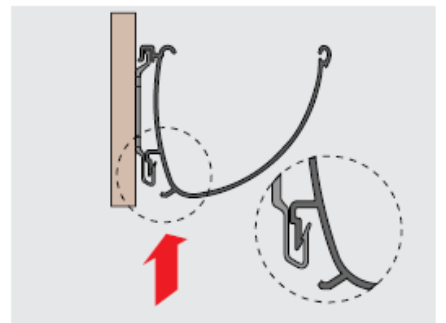
2 Locate gutter onto bracket



3 Set expansion gap 3mm



4 Lock gutter with tool



5 Check for full location

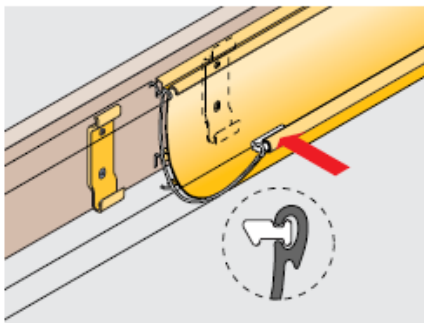
Installation Guidance

Aqualine Extruded Aluminium Gutters

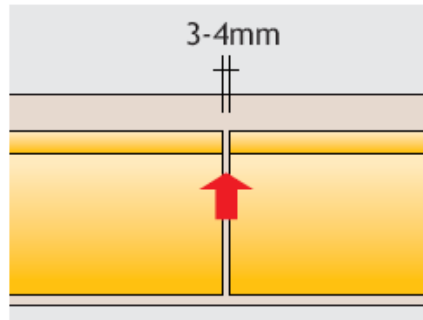
Ref: IN002RW

Gutter Jointing: Half Round, Deep Run & Modern Profiles

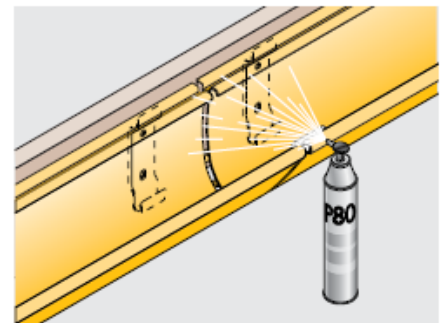
- Check that front and rear slide lock bars have been inserted.



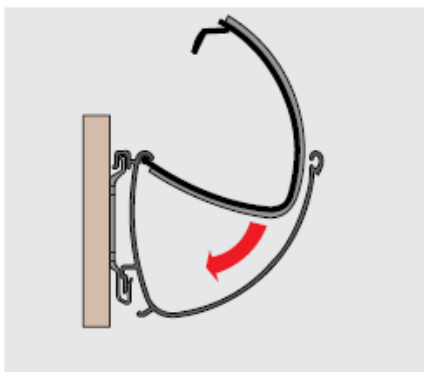
1 Check for slide lock bars



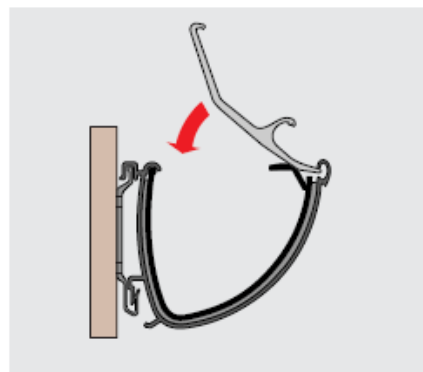
2 Check alignment



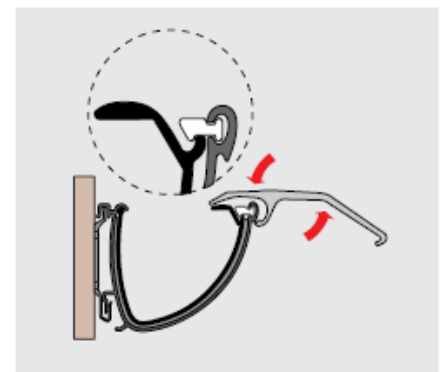
3 Clean and lubricate



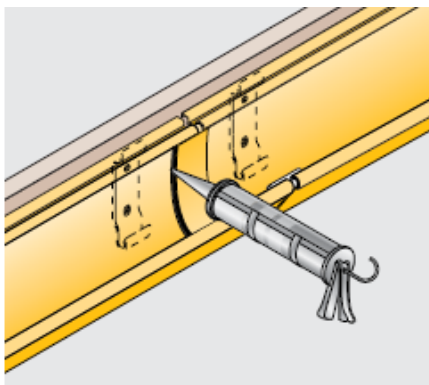
4 Hook union into gutter receiver channel and rotate downwards



5 Compress union and start front lock bar across joint



6 Reverse tool to complete lock bar positioning



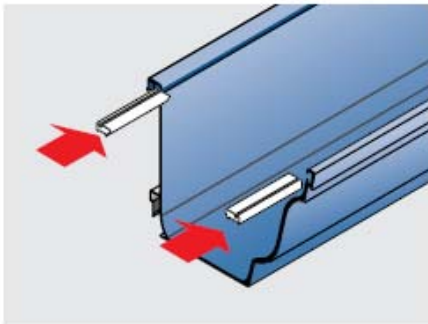
7 Dry gutter and apply DOW 797 silicone to weather edge of union

Installation Guidance

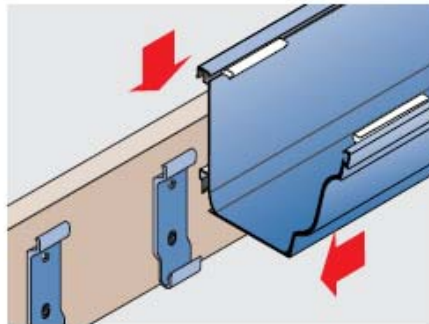
Aqualine Extruded Aluminium Gutters

Ref: IN002RW

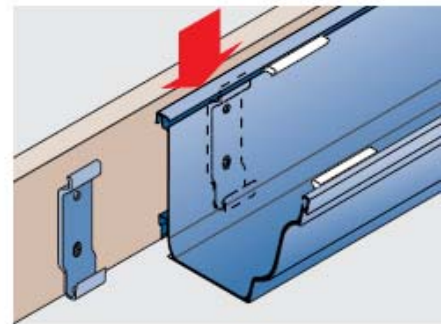
Gutter Fixing: Moulded & Box Profiles



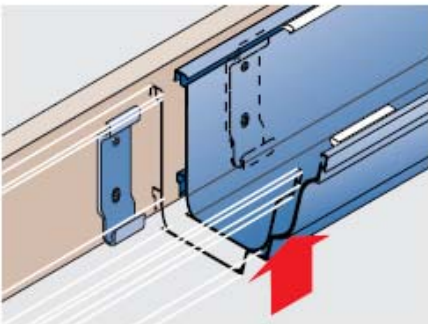
1 Pre-insert slide lock bars (pair)



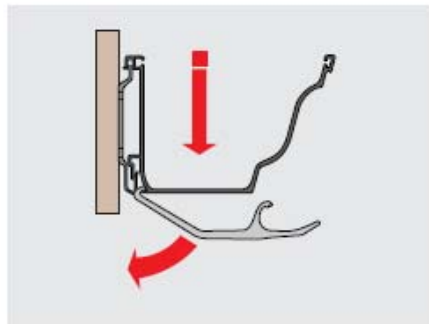
2 Position gutter



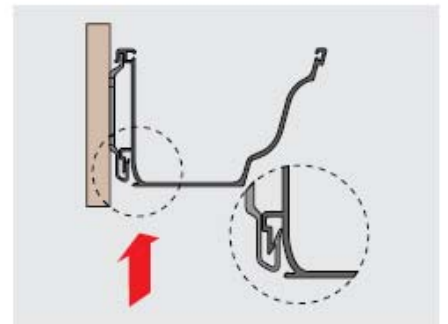
3 Locate gutter onto bracket



4 Set expansion gap 3mm



5 Lock gutter with tool



6 Check for full location

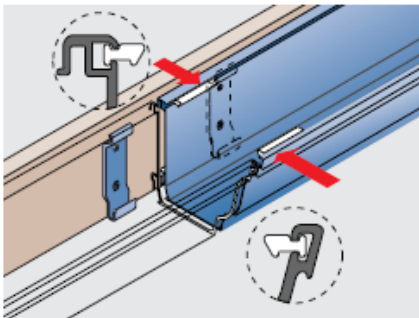
Installation Guidance

Aqualine Extruded Aluminium Gutters

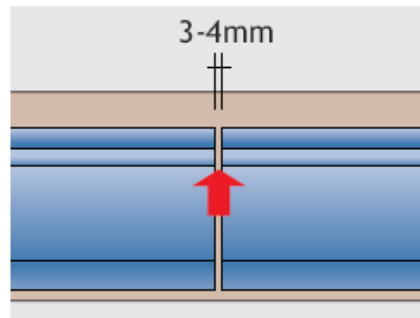
Ref: IN002RW

Gutter Jointing: Moulded & Box Profiles

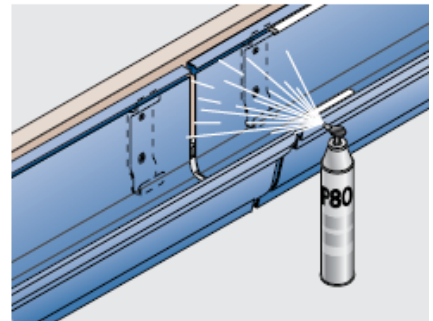
- Check that front and rear slide lock bars have been inserted.



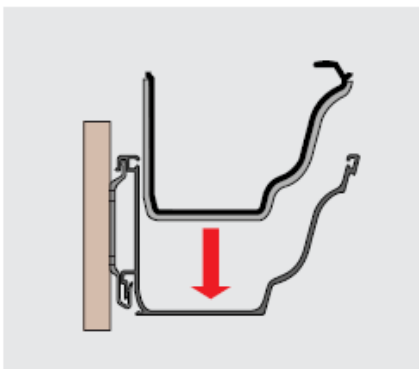
1 Check for slide lock bars



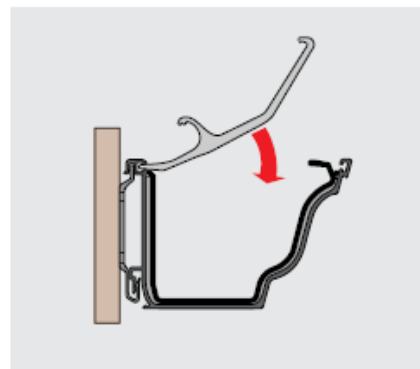
2 Check alignment



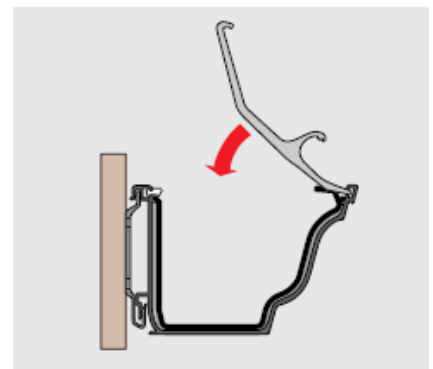
3 Clean and lubricate



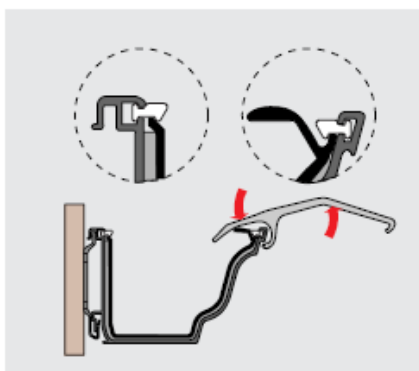
4 Push in union from above



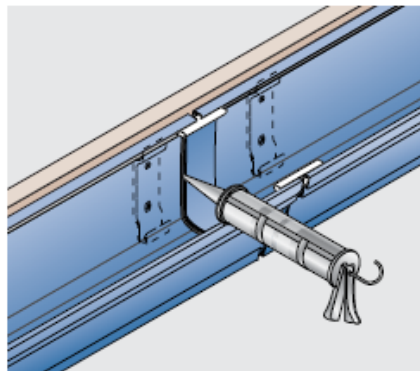
5 Compress union and slide rear lock bar across joint



6 Compress union and start front lock bar across joint



7 Reverse tool to complete lock bar positioning



8 Dry gutter and apply DOW 797 silicone to weather edge of union