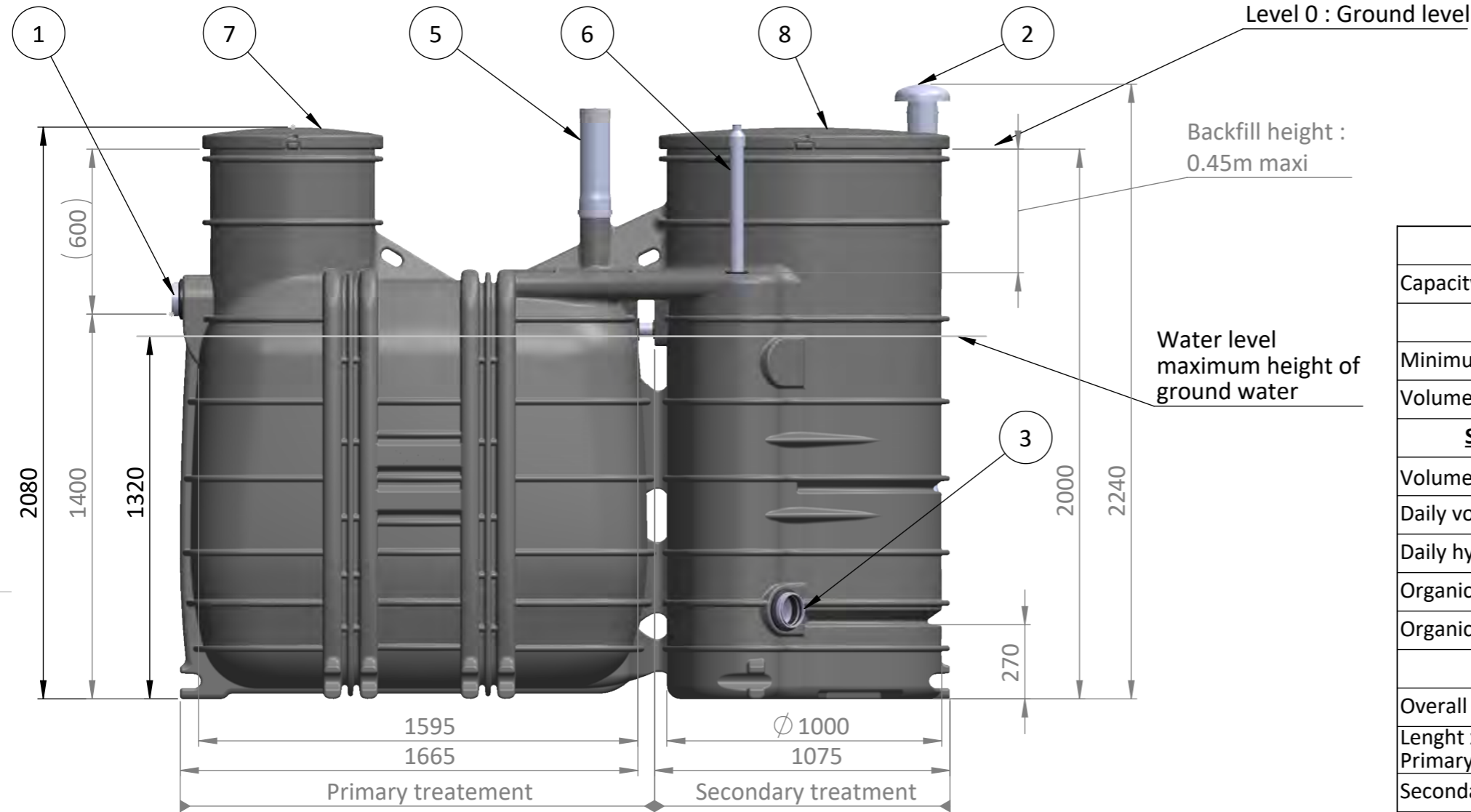


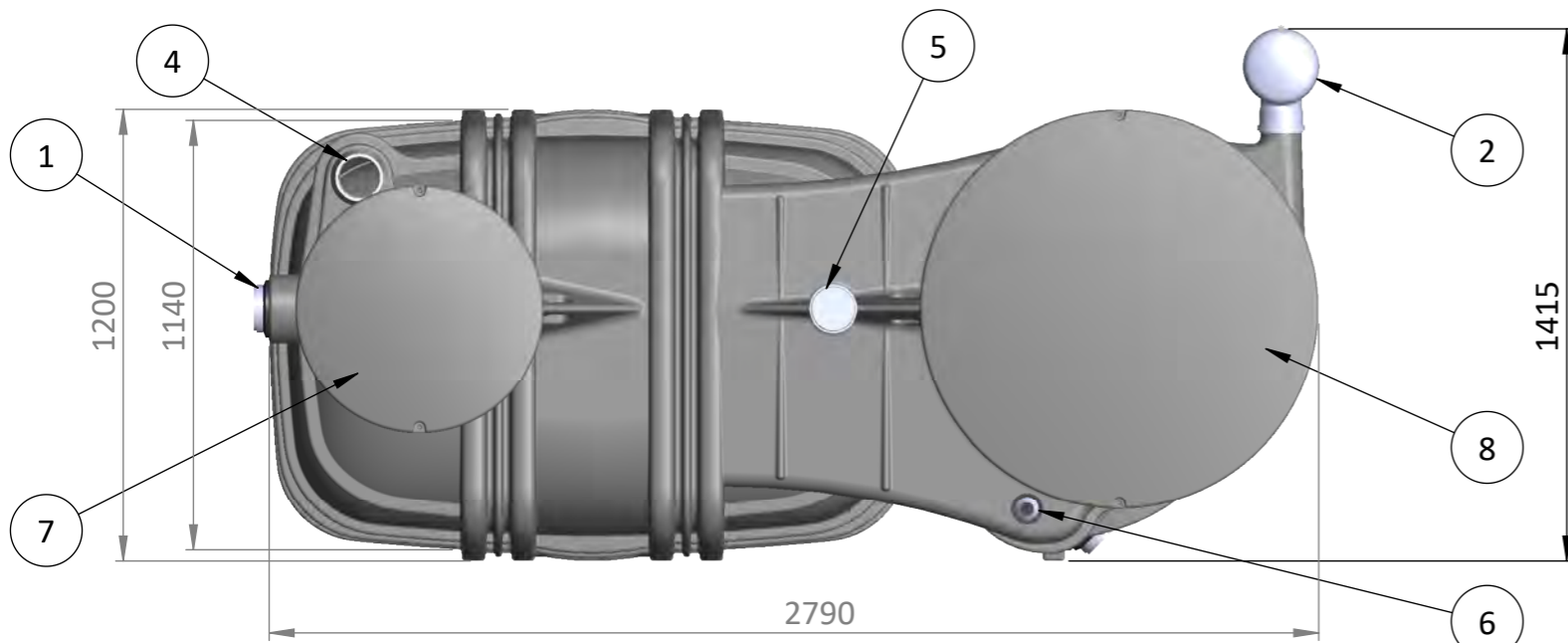
MONOBLOCK-2-700

Capacity up to 4PE



1	Water inlet
2	Air inlet
3	Water outlet
4	Air outlet
5	Access to effluent filter
6	Overflow alarm
7	Access to Primary treatment
8	Access to Secondary treatment


CHARACTERISTICS	VALUE	UNIT
Capacity in Population Equivalent	4	PE
PRIMARY TREATMENT		
Minimum volume of pre-treatment	2000	Liters
Volume per PE	500	Liters
SECONDARY TREATMENT		
Volume	1500	Liters
Daily volume of wastewater**	150	liters/day/PE
Daily hydraulic load	0.9	m ³ /day
Organic load per PE	60	gr.DBO5/PE/day
Organic load raw effluent up to	0.36	kg DBO5/day
SPECIFICATION		
Overall length	2790	mm
Length x Width	1595 x 1140	mm
Primary treatment		
Secondary treatment area	0.6362	m ²
Overall width	1415	mm
Overall height + ventilation	2240	mm
Total weight (without water)	380	Kg
Pipe diameters	110	mm



This product can be installed in high ground water.

Overall tolerance : 3%

** according to DIN EN 12566-3

Service :				
ORIGINATOR				
NAME	SIGNATURE	DATE		
AUTHOR	AQ	26/10/2016		
CHANGES				MONOBLOCK-2-700
NAME	SIGNATURE	DATE		
AUTHOR				
APPROV.				
CHANGES				Nb. of PLAN CM-Y2000-6
AUTHOR				
APPROV.				
SCALE:1:20				A3