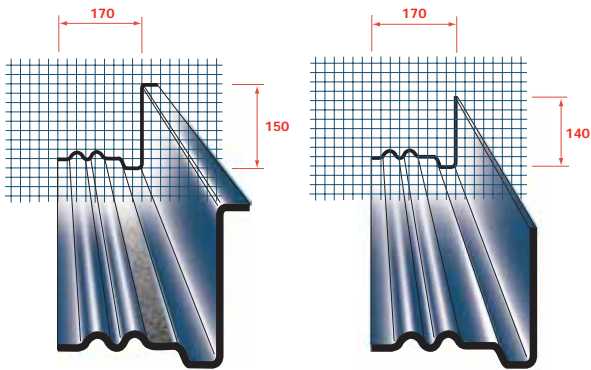


Flashing Products

Continuous Soakers



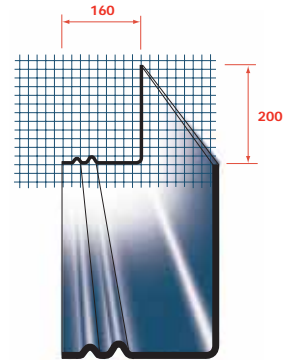
CSS CONTINUOUS SOAKER FOR SLATE

Available in Lipped and Unlipped versions for slate roofs, they can be fitted in approximately half the time it takes to install lead.

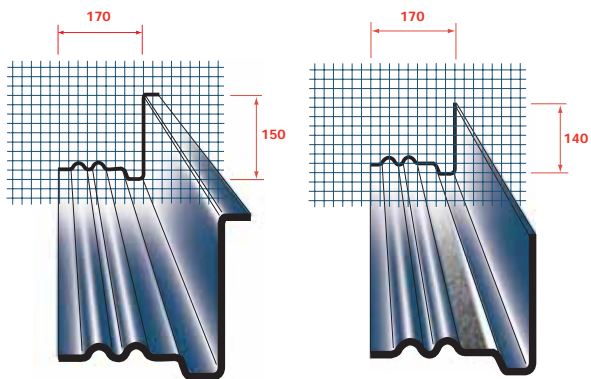
Supplied in packs of 10 units.

Lipped
H 150 x W 170 x L 3000 mm
Unlipped
H 140 x W 170 x L 3000 mm

Also available:
SCSS Continuous Soaker for Scottish slate practice.



SCSS SCOTTISH VERSION



CST CONTINUOUS SOAKER FOR TILES

Available in Lipped and Unlipped versions for tile roofs, they can be fitted in approximately half the time it takes to install lead.

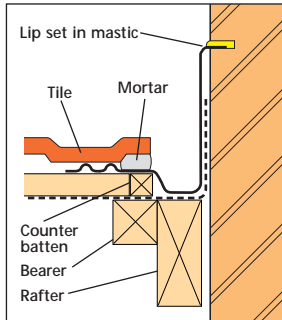
Supplied in packs of 10 units.

CST Continuous Soaker for tiles with mortar bonding strip.

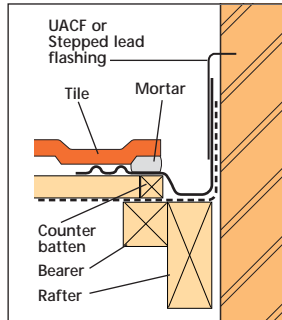
Lipped
H 150 x W 170 x L 3000 mm
Unlipped
H 140 x W 170 x L 3000 mm

TYPICAL INSTALLATION DETAILS

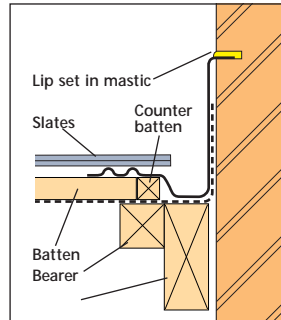
LIPPED TILE VERSION



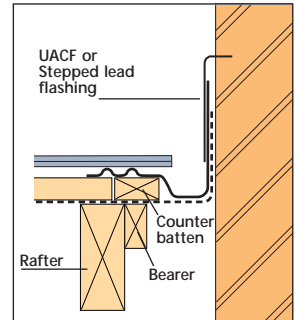
UNLIPPED TILE VERSION



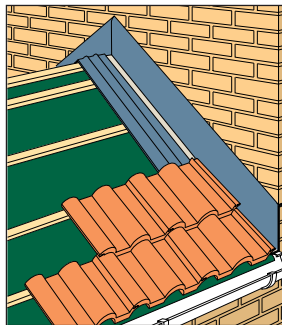
LIPPED SLATE VERSION



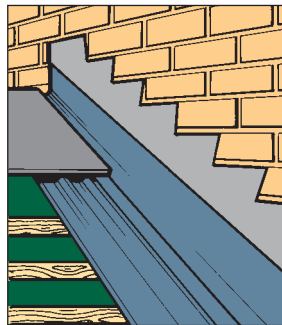
UNLIPPED SLATE VERSION



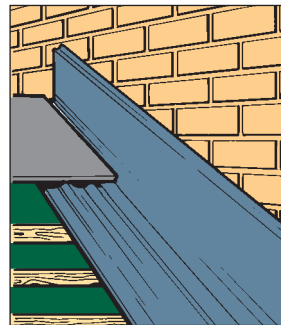
LIPPED TILE VERSION



UNLIPPED SLATE VERSION



LIPPED SLATE VERSION



SCOTTISH VERSION

