

Product Data Sheet

Puddle Flange - Moulded

Flexseal Puddle Flanges are used to seal around the outside of pipes that are required to pass through concrete structures, such as tanks, manhole chambers, shafts, floor slabs and basements. They are installed during construction.

Pipes passing through concrete will not bond to the concrete and water can pass along the external surface of the pipe. Flexseal Puddle Flanges act as a barrier to this flow, preventing water penetration. The seal is clamped onto the pipe and stops this direct route. The seal body is compressed during the pouring process and, should the concrete shrink during curing, the rubber relaxes and maintains a seal against this flow path.

Benefits

- A cost effective solution
- Easy to install
- Can be installed in walls, floors and ceilings
- Good general chemical resistance



Product specification for Flexseal Puddle Flanges

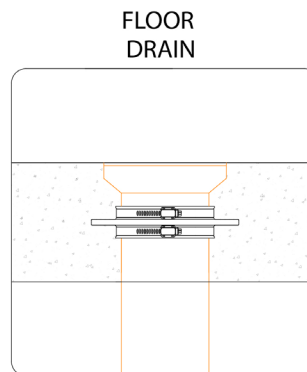
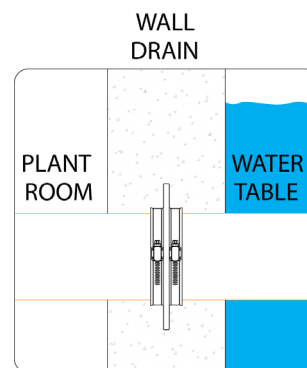
Product Code	See over
Description	Flexseal Moulded Puddle Flange
Size Range	32-340mm
Material	EPDM Rubber
Steel	1.4301 (304) Stainless Steel or 1.4401 (316) Stainless Steel (on request)
Pressure Rating	Watertight to 3 bar (external water head)
Temperature Range	-50°C to 150°C
Tightening Torque	As indicated on the product identification label

Product Data Sheet continued

Puddle Flange - Moulded

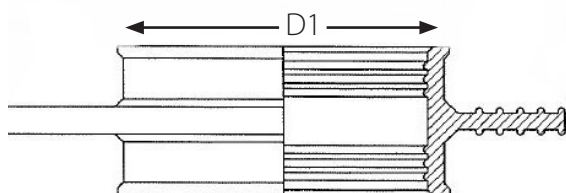
Product Range

Part No.	Internal Dia. (D1) (mm)	Min. Pipe Size (mm)	Max. Pipe Size (mm)
FRK9403	29	30	34
FRK9603	31	32	36
FRK9404	38	39	45
FRK9605	48	49	55
FRK9405	49	50	56
FRK9406	60	61	69
FRK9606	62	63	71
FRK9407	71	72	81
FRK9607	74	75	84
FRK9409	84	85	96
FRK9609	89	90	101
FRK9411	105	106	118
FRK9611	109	110	122
FRK9412	120	121	135
FRK9612	124	125	139
FRK9614	139	140	155
FRK9416	154	155	170
FRK9616	159	160	175
FRK9420	195	196	215
FRK9422	215	216	237
FRK9425	245	246	270
FRK9426	275	276	300
FRK9431	310	311	340



Notes:

- Fitted puddle flanges have an outside diameter 100/110mm larger than the pipe onto which they are installed (dependent on size).
- Concrete cover should be 50mm against every surface around the puddle flange. Waterproof concrete should be used.
- Puddle flanges are supplied with the inside diameter of the seal smaller than the pipe outside diameter and have to be stretched over the pipe during installation.
- Puddle flanges do not provide axial restraint so they should not be used when axial loading on the pipe is present. The pipe has to be fully supported to withstand the concrete pouring process.



V001MAY15