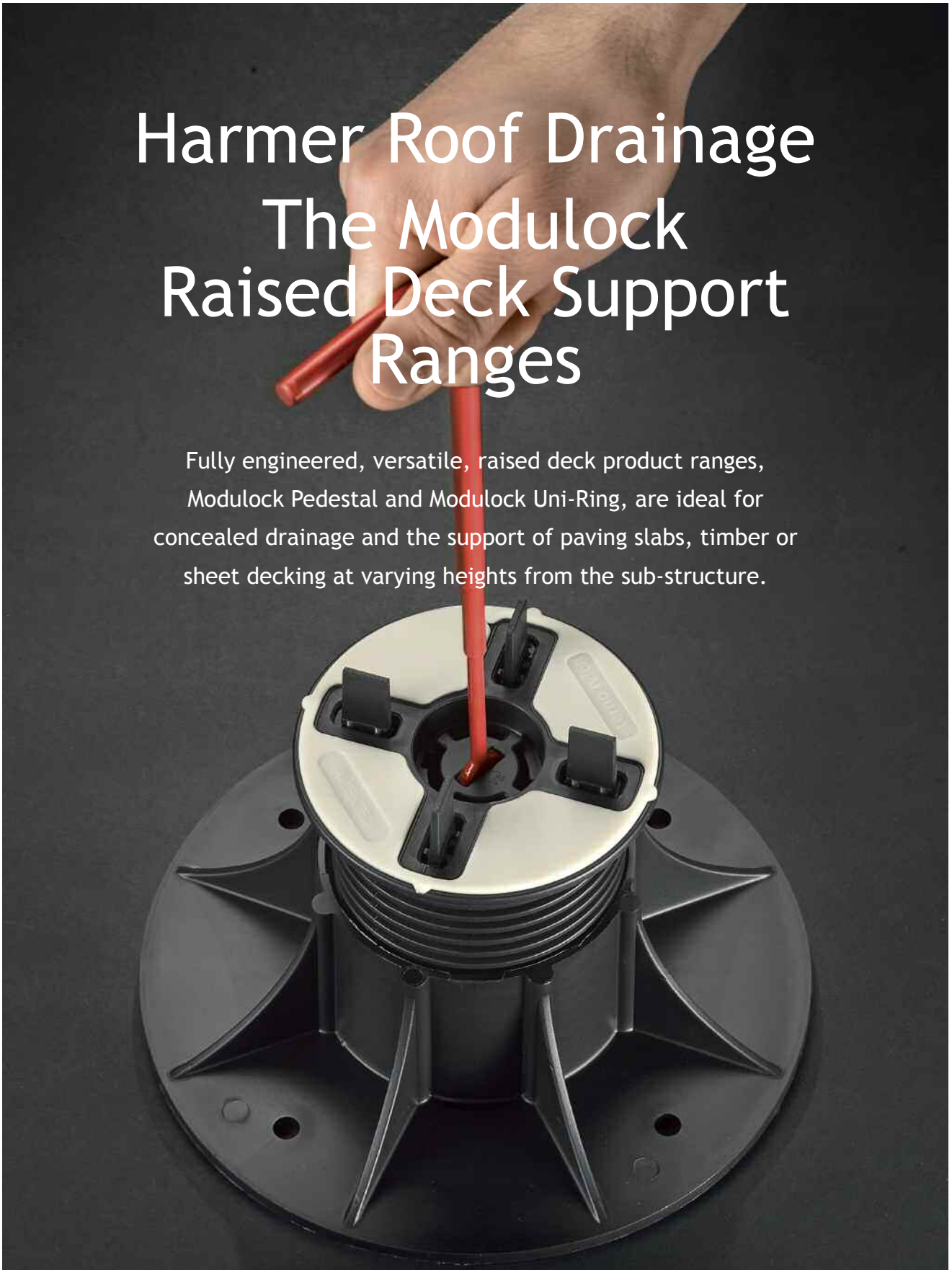


Harmer Roof Drainage The Modulock Raised Deck Support Ranges

Fully engineered, versatile, raised deck product ranges, Modulock Pedestal and Modulock Uni-Ring, are ideal for concealed drainage and the support of paving slabs, timber or sheet decking at varying heights from the sub-structure.



Modulock Raised Deck Supports - Benefits

The Modulock Pedestal and Modulock Uni-Ring raised deck supports are designed for use in terraces, walkways, balconies and ballasted flat roof constructions.

Modulock Pedestal - Adjustable Height

- Wide range of height adjustment from 37.5mm - 550mm
- Fine adjustment for both height and level are possible

Self-Levelling Head

- The Modulock Pedestal self-levelling head compensates for gradients up to 5°
- Made of polypropylene and rubber to provide an anti-noise and anti-slip bedding surface



Self-Locating

- Locating blades on Modulock Pedestal self-levelling head assist positioning of slabs and maintaining open joints when required
- Locating blades can be removed if required

Compatibility

- Harmer Modulock Pedestal and Uni-Ring product ranges are fully compatible with the Modulock Channel Drain range

Robust

- Resistant to temperatures from -40° to +120°C
- UV stable and resistant to acids

Installation

- Modulock Pedestal and Modulock Uni-Ring are quick and easy to install, and provide fast, efficient drainage through the open joints of the slabs to the concealed drainage way below.

Modulock Uni-Ring/Uni-Plus - Height Supports

- Uni-Ring gives a fixed height of 16mm. Shims offer fine adjustment in increments of 3mm
- Uni-Plus provides adjustment of 25-40mm



Modulock Raised Deck Supports - Product Range Summary

Modulock Pedestal Adjustable Height Supports



Modulock Pedestal comprises 14 basic modules, each with supporting head and base component, allowing a wide range of void heights. Modules are used either individually or in combination to give floor voids ranging from 37.5mm to 550mm.

A stable sub-base and an adequate means of surface water drainage are virtually the only prerequisites for the use of the Modulock Pedestal system. Irregular, stepped, uneven or sloping sub-bases can usually be easily surmounted by the system resulting in a new level raised floor.

See page 80.



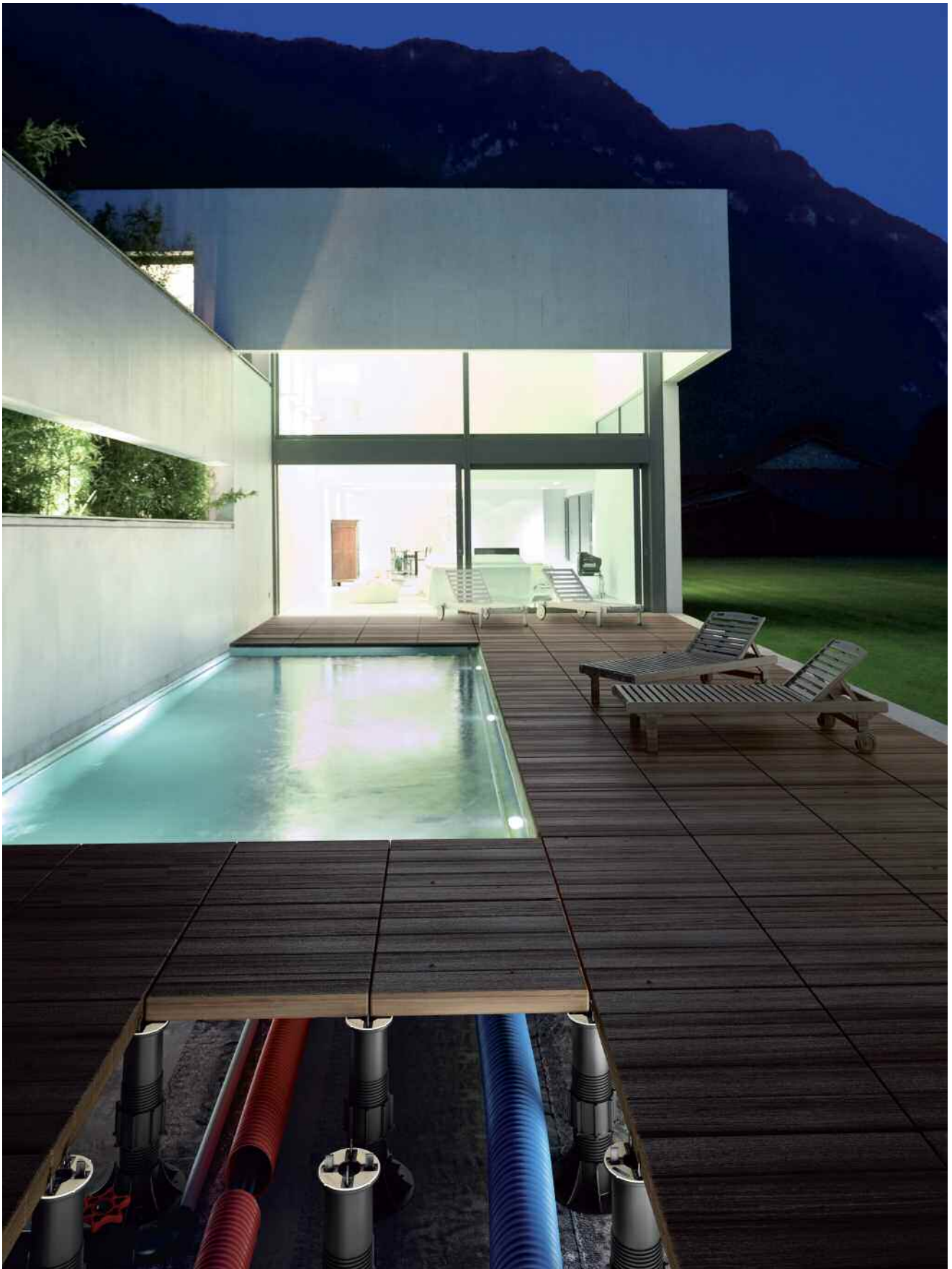
Modulock Uni-Ring Height Supports



A versatile and economic range for concealed drainage beneath paving slabs. The basic Modulock Uni-Ring system within the range is based on shallow injection moulded polyethylene rings that are positioned to support adjoining slabs at each corner whilst maintaining open joints for drainage. It includes shims for fine height adjustment.

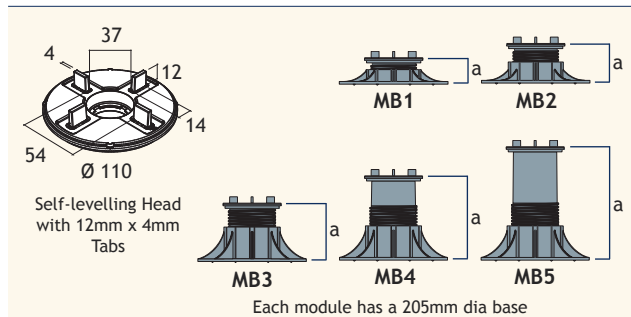
Modulock Uni-Plus is part of the Uni-Ring system and provides adjustment of between 25 - 40mm. See page 81.

Modulock Raised Deck Supports - Product Range Summary

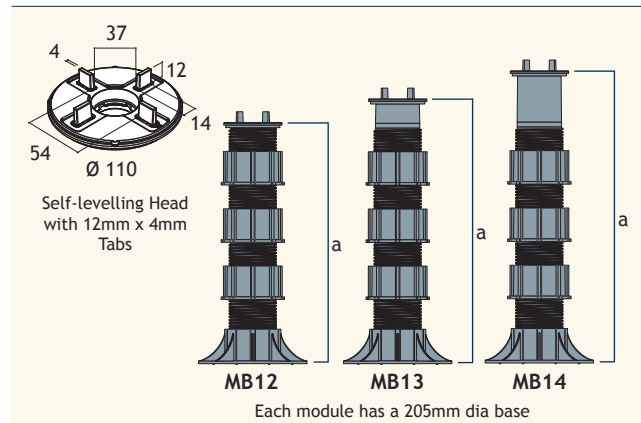


Modulock Raised Deck Supports - Pedestal

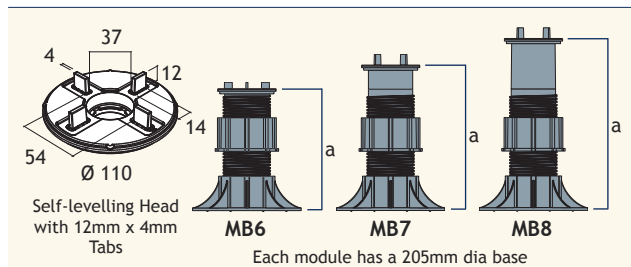
The Pedestal range of deck supports provides a comprehensive range of adjustment from 37.5mm to 550mm. The system features self-levelling heads with a variety of dividers for preset drainage gaps in supported paving as well as heads without dividers for screw fixing decking battens. An extended key allows for fine adjustment of supports after slab laying.



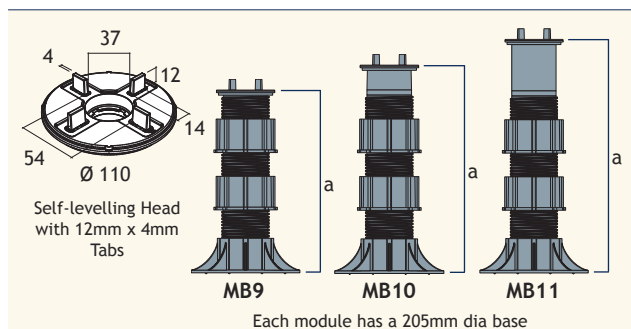
Module Combination Type	Height Adjustment a (mm)	Product Code
Module without extension coupler	37.5 - 50	MB1
Module without extension coupler	50 - 75	MB2
Module without extension coupler	75 - 120	MB3
Module without extension coupler	120 - 170	MB4
Module without extension coupler	170 - 215	MB5



Module Combination Type	Height Adjustment a (mm)	Product Code
Module with 3 extension couplers	270 - 455	MB12
Module with 3 extension couplers	315 - 500	MB13
Module with 3 extension couplers	365 - 550	MB14

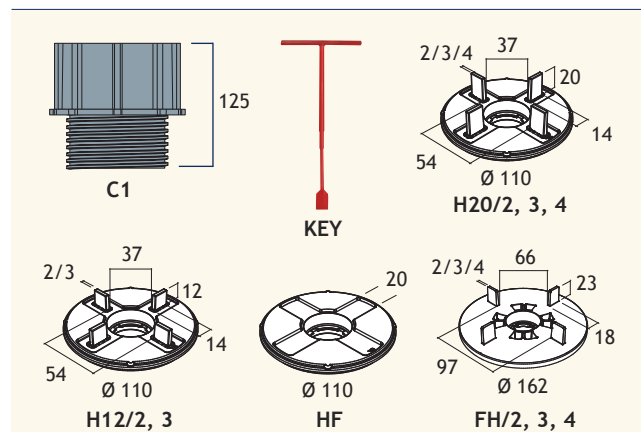


Module Combination Type	Height Adjustment a (mm)	Product Code
Module with 1 extension coupler	140 - 230	MB6
Module with 1 extension coupler	185 - 275	MB7
Module with 1 extension coupler	235 - 325	MB8



Module Combination Type	Height Adjustment a (mm)	Product Code
Module with 2 extension couplers	205 - 345	MB9
Module with 2 extension couplers	250 - 385	MB10
Module with 2 extension couplers	300 - 400	MB11

Optional Accessories



Component Options	Product Code
Extension Coupler	C1
Self-levelling Head with 20mm x 2mm Tabs	H20/2
Self-levelling Head with 20mm x 3mm Tabs	H20/3
Self-levelling Head with 20mm x 4mm Tabs	H20/4
Self-levelling Head with 12mm x 2mm Tabs	H12/2
Self-levelling Head with 12mm x 3mm Tabs	H12/3
Self-levelling Flat Head	H/F
Fixed Head with 23mm x 2mm Tabs	FH/2
Fixed Head with 23mm x 3mm Tabs	FH/3
Fixed Head with 23mm x 4mm Tabs	FH/4
Adjustment Key	KEY

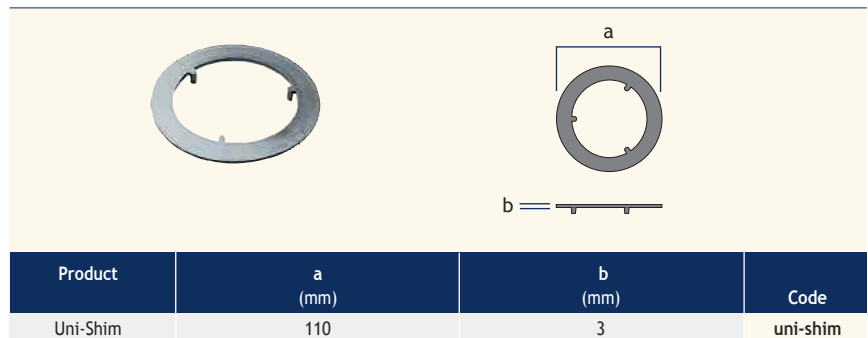
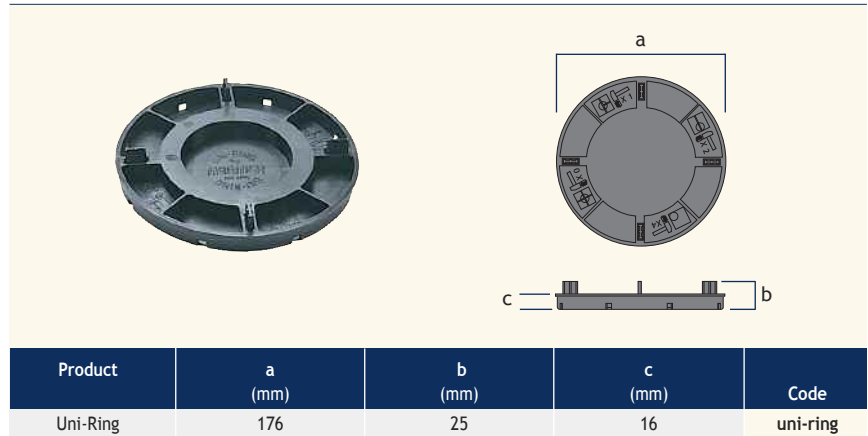
Modulock Raised Deck Supports - Uni-Ring and Uni-Plus

Uni-Ring and Uni-Plus are versatile and economic paving supports. Uni-Ring supports provide a 16mm deck void and can be stacked in combination with 3mm Uni-Shims for additional height correction. Uni-Plus is a low level height adjustable system providing 25mm to 40mm of adjustment.

Uni-Ring

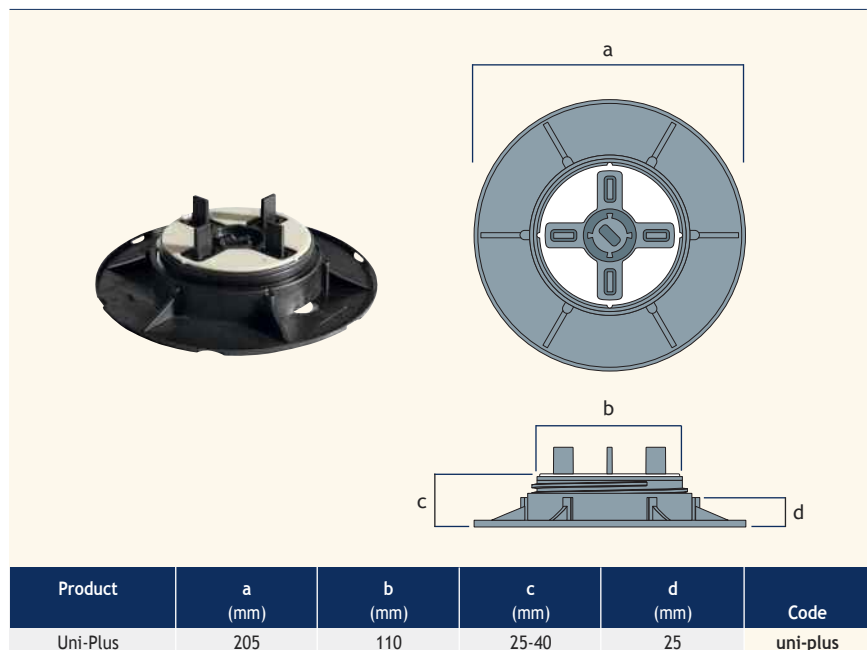
Harmer Uni-Ring is quick and easy to install, and provides fast, efficient drainage through the open joints of the slabs to the concealed drainage below. The system is ideal for any waterproofed substructure and especially for inverted roof constructions where ballasted insulation is laid onto the waterproofing layer of the flat roof. Traditional bedding and grouting materials are not required, and once installed, the paving slabs can be easily lifted for simple inspection of the drainage outlets and for substructure maintenance.

- Ring with collapsible spacers
- Height adjustment shims
- A maximum of two Uni-Shims can be used per Uni-Ring



Uni-Plus

Harmer Uni-Plus is an economical low level height adjustable system that is adjusted on a screw mechanism to provide height adjustments of 25mm to 40mm. The head features collapsible spacers for ease of installation in corners and perimeter wall situations. Uni-Plus is suitable for use where the floating deck is to be laid parallel to the roof deck i.e. does not have any slope correcting features.



Modulock Raised Deck Supports - NBS Specification

A typical NBS Specification for Harmer Modulock raised deck supports. A full range of NBS specifications are available via the Harmer online NBS Specification Builder at www.harmerdrainage.co.uk. For project specific specification advice, contact Harmer Technical Services.

NBSPlus

J41 Reinforced Bitumen Membrane Roof Coverings

GENERAL

110 REINFORCED BITUMEN MEMBRANE ROOF COVERINGS ALUMASC WATERPROOFING MEMBRANE SYSTEM

SYSTEM PERFORMANCE

210 GENERAL
■ Secure, free draining and weathertight

PRODUCTS

467 SUPPORT SYSTEMS FOR PRECAST CONCRETE PAVING SLABS

Manufacturer: Alumasc Exterior Building Products Ltd,
White House Works, Bold Road, Sutton
St Helens, Merseyside WA9 4JG
Tel: 01744 648400, Fax: 01744 648401.
Email: info@alumasc-exteriors.co.uk

Type: Adjustable deck supports

Size: MB1: 32-50 mm high/MB2: 50-75 mm high/MB3: 75-120 mm high /MB4: 120-200 mm high/MB5: 190-270 mm

Product Code: MB1 -MB5

Reference: Harmer Deck Modulock

Accessories: Levelers



NBS Specification Builder	
Product Type	Harmer Modulock
Range	Adjustable Deck Supports
Height	75 - 120mm
Head Type	Self Levelling Flat Head
<input type="button" value="Clear Options"/>	

Create Harmer Modulock NBS specifications by selecting the required product range, profile, size and finish by visiting: www.harmerdrainage.co.uk

Design Support

Harmer has developed dedicated design software to assist architects, specifiers and contract engineers to quantify the exact specification and detailed layout of Modulock Pedestals on a project. Complex roof layouts with multiple falls and awkward detailing can also be calculated. Simply send through your CAD drawings to Harmer's Technical Department and we will do the rest.

Key Features

- Design software is AutoCAD-compatible allowing seamless interpretation of project design
- Multiple roof areas and complex roof layouts can be mapped using colour-coded layout to show the exact specification and height requirement of each Modulock Pedestal
- Assists specification by accurately quantifying the exact number and type of Modulock Pedestals required on a project
- Improves the interface between designers and installer through accurate specification and product selection

Contact: modulock@alumasc-exteriors.co.uk



Modulock Raised Deck Supports - Installation

Harmer Pedestal

A stable sub-base and, in the case of exposed external use, an adequate means of surface water drainage are virtually the only prerequisites for the use of the Harmer Modulock system. Irregular, stepped, uneven or sloping sub-bases can usually be easily surmounted by the system resulting in a new level raised floor.

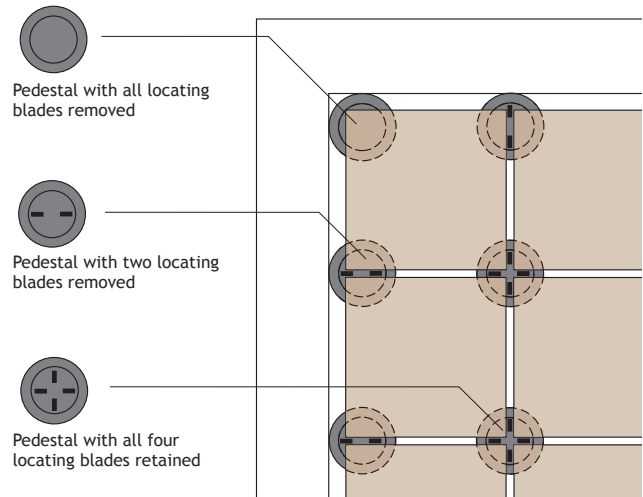
The broad sequences of installation are illustrated in relation to a typical paved pedestrian deck erected over an existing drained sub-base.

Installation Sequence

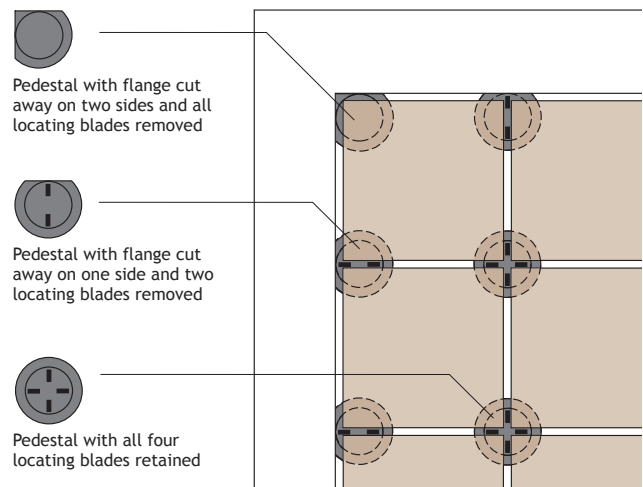
1. Check condition of sub-base, waterproofing and drainage points. Rectify any defects and clear drainage outlets as a preliminary measure.
2. Set out pattern of pedestal supports, selected to suit new deck height and paving modules.
3. Use supporting heads with linear blade configurations at edges of deck and at any intermediate surface interruptions.
4. Adjust pedestal screwjacks to the approximate height required, checking for level and alignment.
5. Finalise the layout of the pedestals. For convenience, use a lightweight template for checking positions and to avoid undue lifting of heavy paving slabs.
6. Proceed to lay the paving slabs, ensuring that each slab corner is firmly seated on the pedestal head and butted up to the locating blades.
7. Final adjustment to level can be made by using the adjustment key.

Alternative Edge Details

1. With wide open joint at perimeter.



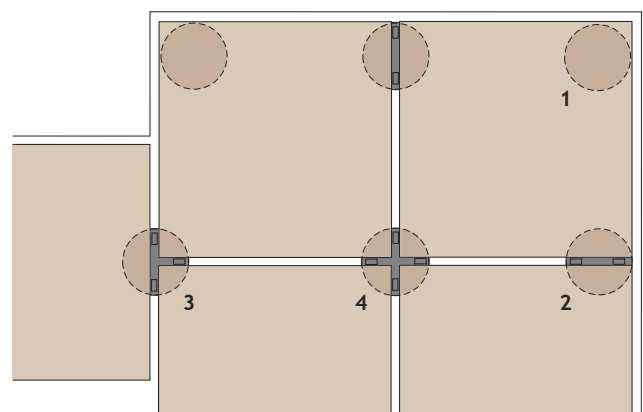
2. With narrow open joint at perimeter.



Harmer Uni-Ring

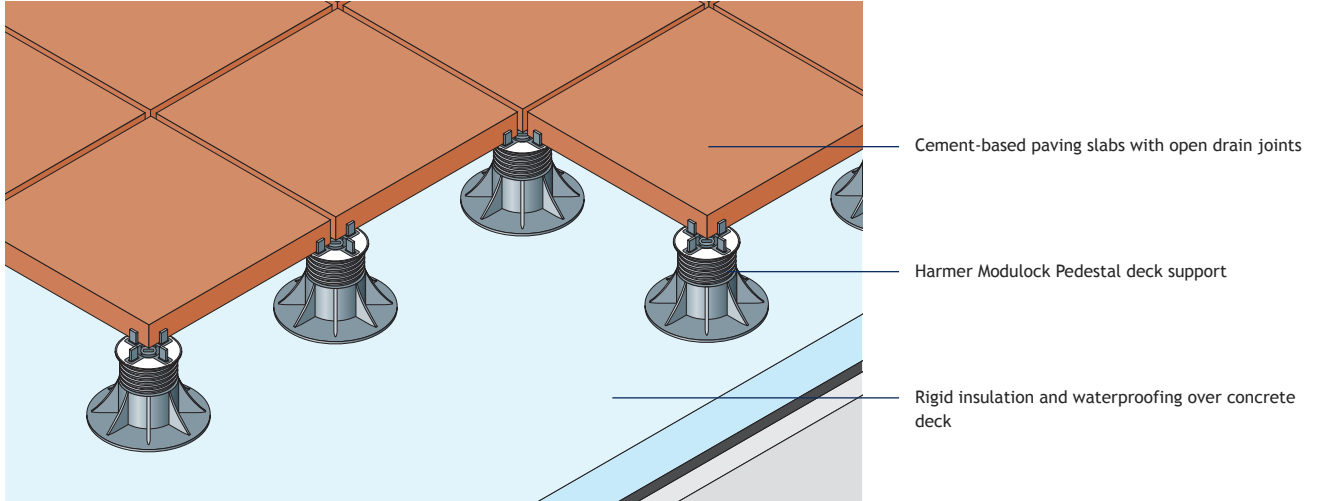
1. All four optional spacers hammered down flush with ring at perimeter of enclosing wall or parapet.
2. Two optional spacers hammered down at junction of two slabs.
3. One optional spacer hammered down at junction of three slabs.
4. All four optional spacers left upstanding at junction of four slabs.

Harmer Uni-Ring can accommodate a variety of paving slab thicknesses. The unit sizes, spanning capacity and loading of the slabs will determine the spacing and layout pattern of a paving slab support system.

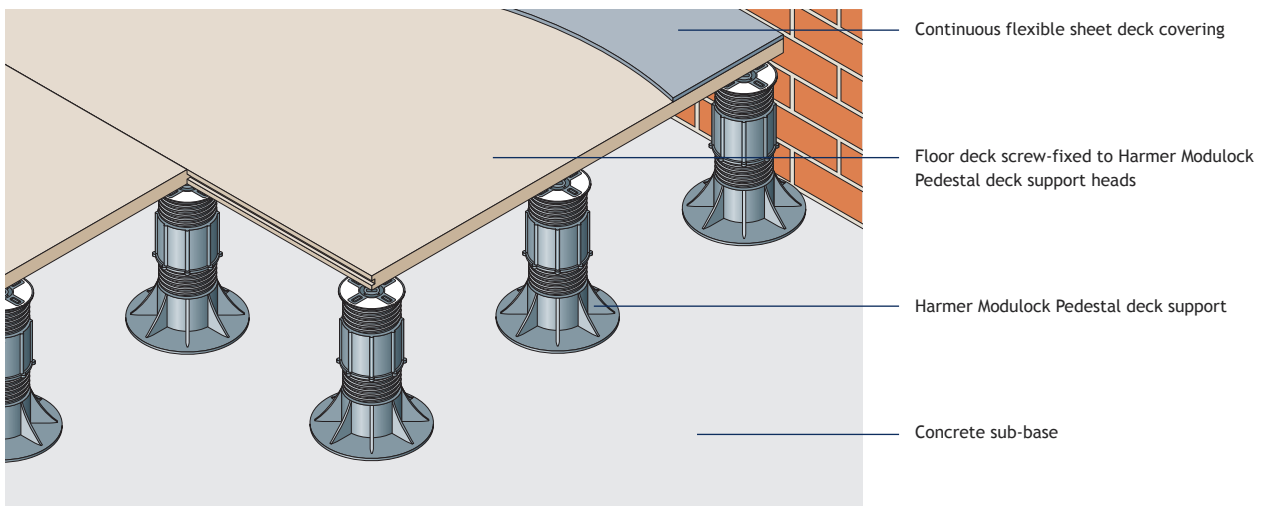


Modulock Raised Deck Supports - Application Details

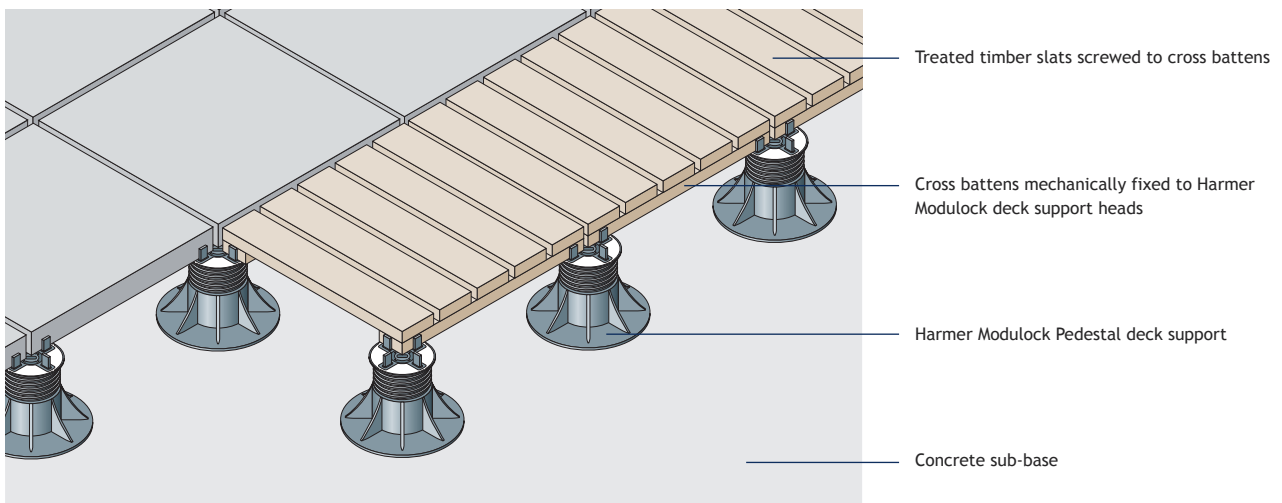
Paving Slabs with Open Joints on Harmer Modulock Pedestal



Sheet Decking on Harmer Modulock Pedestal

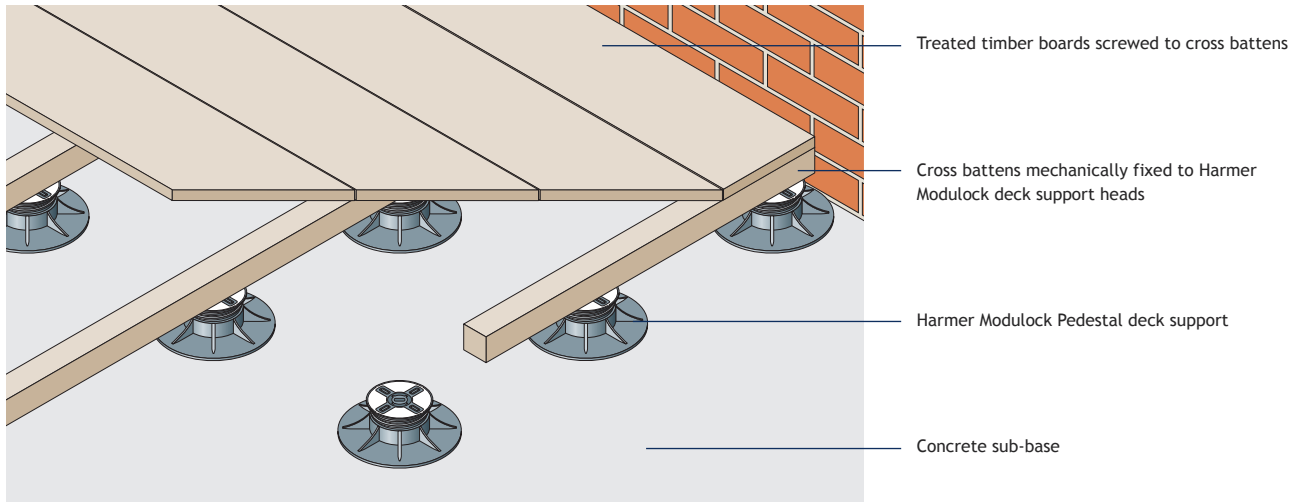


Timber Slats on Battens on Harmer Modulock Pedestal



Modulock Raised Deck Supports - Application Details

Open Jointed Boards on Battens on Harmer Modulock Pedestal



Paving Slabs on Harmer Modulock Uni-Ring

