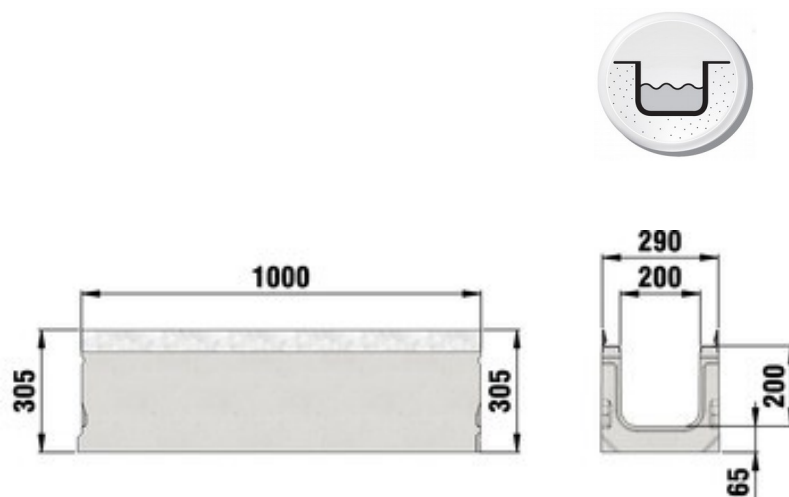


SERVICE CHANNEL 200

SERVICE CHANNEL FASERFIX®SUPER 200 made of fibre-reinforced concrete with 40 mm angle housing, class E 600, Type 01 E



■ Technical data:

Length mm	Width mm	Height mm	Weight kg	Inlaying depth	Drainage cross-section cm ²	Item-no.
1000	290	305	104,5	40	386	32068

■ Product description:

SERVICE CHANNEL FASERFIX SUPER 200 angular Type 01 - Channel made of fibre reinforced concrete, loading capacity from A 15 up to F 600 according to DIN19580 / EN 1433, CE-conform, with galvanised steel angle housing and boltless quick-locking system SIDE-LOCK, L/B/H 1000x290x305 mm, Item No. 32068

■ Material:

- **Channel body:** FASERFIX fibre-reinforced concrete
- **Angle housing:** strip galvanized steel

■ Type acc. DIN EN 1433:

M

■ Set of rules:

EN 1433

■ Application areas:

- Industrial buildings
- Cable ducts
- Exhibition grounds, trade fairs

