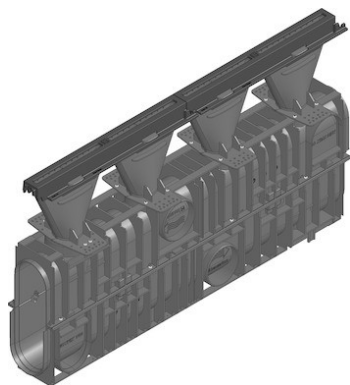
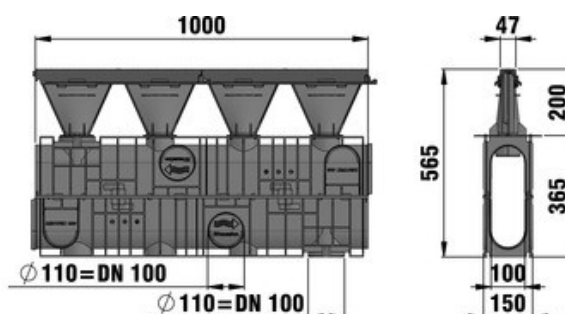


RECYFIX®HICAP®F

RECYFIX®HICAP®F 2000 up to load class F 900, Type 2200, slot 14 mm



F 900



■ Technical data:

Length mm	Width mm	Height mm	Weight kg	Inlet cross-section cm ² /m	Drainage cross-section cm ²	Item-no.
1000	150	565	11,51	124	284	13028

■ Product description:

RECYFIX HICAP F 2200 -exists of closed channel body with inlet adapter, with integrated ductile iron slot 14 mm, loading capacity from A 15 up to F 900, length 1000 mm, item no. 13028

■ Material:

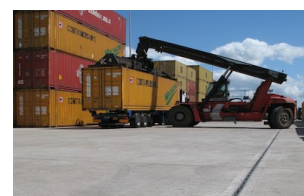
- **Channel body:** modified Polypropylene
- **Angle housing:** Ductile iron GJS 500-7

■ Set of rules:

DIN 19580/EN 1433

■ Application areas:

- Motorway, drainage along
- Motorway service stations
- Railway crossings
- Filling stations, decanting stations
- Military facilities
- Bus stations, bus stops
- Carriageways and roads (along)
- Carriageways and roads (across)
- Fire brigade buildings
- Airfields, airports
- Port facilities, container stations
- Industrial yards
- Truck parking areas



- Exhibition grounds, trade fairs
- Waste disposal sites
- Truck-Wash facilities
- Scrap metal yards
- Haulage companies, loading areas
- Road verge drainage
- Filling stations
- Loading and cargo handling yards