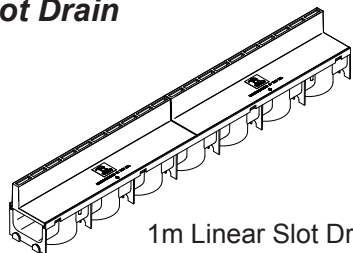
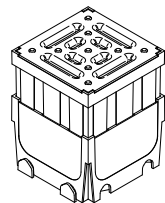


## The Complete System

### Slot Drain

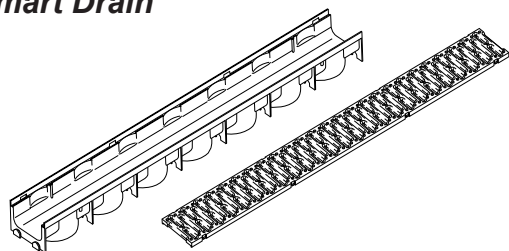


1m Linear Slot Drain  
(Code: GPDST-1000)  
(Black)

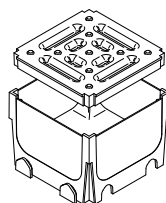


Junction unit  
(Code: GPDST-JU)  
(Black)

### Smart Drain



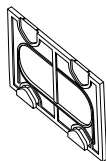
1m Linear Drainage Channel and Grate  
(Code: GPD-1000)  
(Grate available in black or silver)



Junction unit  
(Code: GPD-JU)  
(Grate available in black or silver)



Leaf Trap



End Cap

**Accessory Pack:** 2 x End Cap and 1 x Leaf Trap (code: GPD-AP)

Other products from the Manthorpe Range include Cavity Trays, Cavity Closer, Loft Doors, Roof Ventilation, Through Wall Ventilation, Joist Seals and Dry Roofing Products.



### Manthorpe Building Products Limited

Manthorpe House, Brittain Drive, Codnor Gate Business Park, Ripley, Derbyshire DE5 3ND

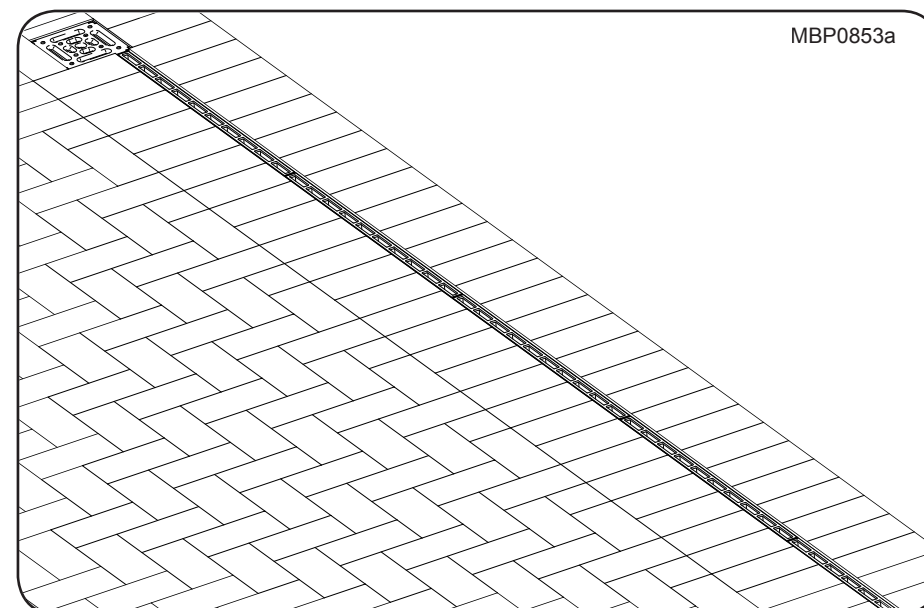
T: (01773) 514200 F: (01773) 514262 E: sales@manthorpe.co.uk

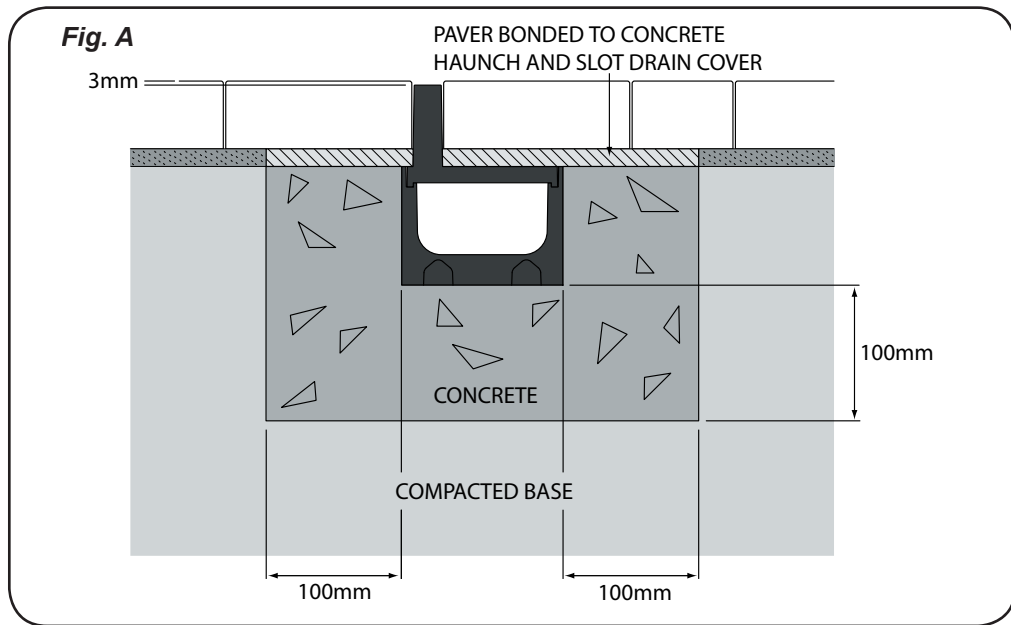
W: <http://www.manthorpe.co.uk>



# SlotDrain

## Fixing Instructions





**Important:** The top of the channel should lay 3mm below the top level of the paving material.

Take time before carrying out installation to correctly calculate the trench width and depth as there are many variables which affect these dimensions.

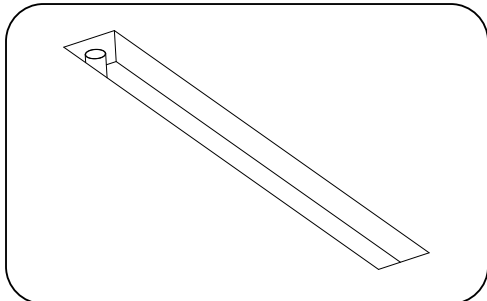
Before surrounding the channel in concrete, clip the grate into position to ensure an even and substantial fit.

The concrete used should be to the strength of a C25 mix.

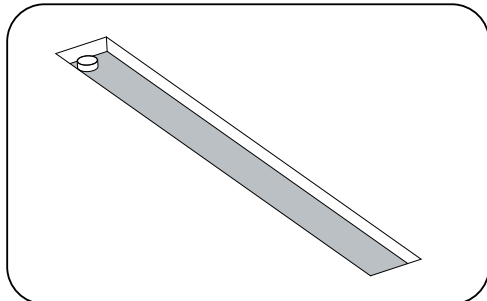
A fall of 1 in 40 (25mm in 1m) will guide water to the outlet at a substantial rate to avoid puddling and debris sticking.

It may be necessary to shorten lengths of SlotDrain during installation. If this is the case, use a handsaw and where possible, make the cut next to a rib on the channel to maintain the clip detail.

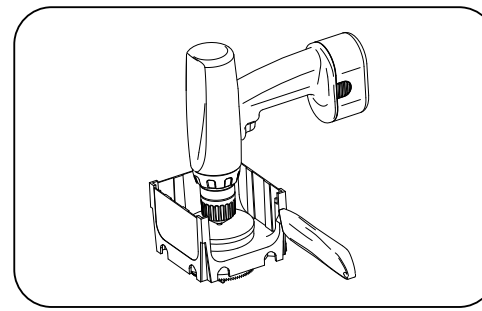
## Installation



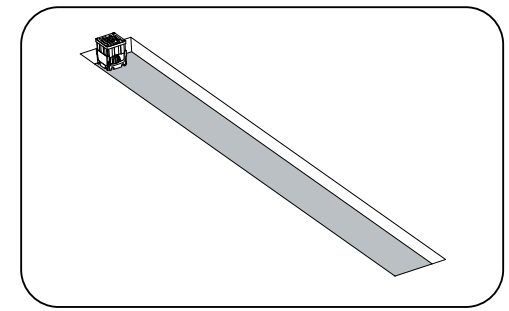
**1.** Dig a trench which is sufficient in length, depth and width for the required application. See fig. A above to help calculate these dimensions.



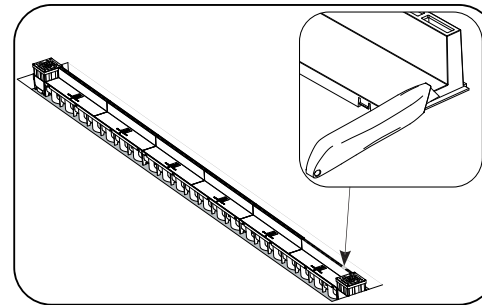
**2.** Lay a bed of C25 strength mixed concrete 100mm deep filling the entire base of the prepared trench.



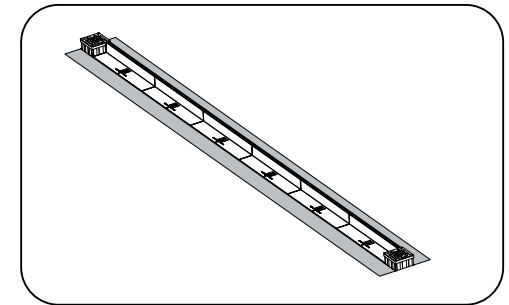
**3.** Prepare a Slot Drain Junction Unit by removing the necessary side with a knife and cutting an 80mm diameter hole in the base with a hole saw (if required).



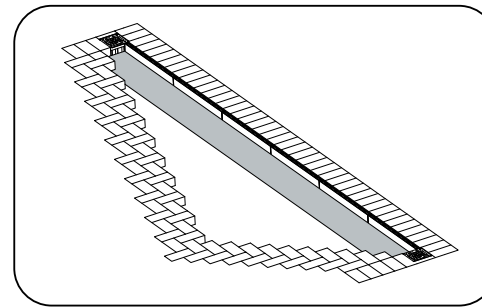
**4.** Starting above the drain outlet, position the junction unit over the outlet pipe and place a leaf trap in the prepared hole.



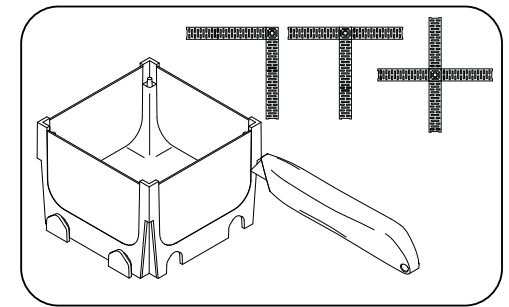
**5.** Working from the outlet, lay the lengths of SlotDrain, placing a prepared Junction Unit at 3m intervals and finishing the run with a Junction Unit. It is necessary to remove the end tab on the last SlotDrain grate next to a Junction Unit. See illustration above.



**6.** Surround the SlotDrain with 100mm width of a C25 strength concrete mix up to the top of the channel



**7.** Pave around the SlotDrain, bonding the pavers which are in immediate contact with the drain itself or the concrete bed surrounding it. Ensure that the finished level of the paving is 3mm higher than the SlotDrain.



**8.** SlotDrain Junction Units can also be cut to create 90 degree corners, T-junctions and 4 way junctions as shown above.