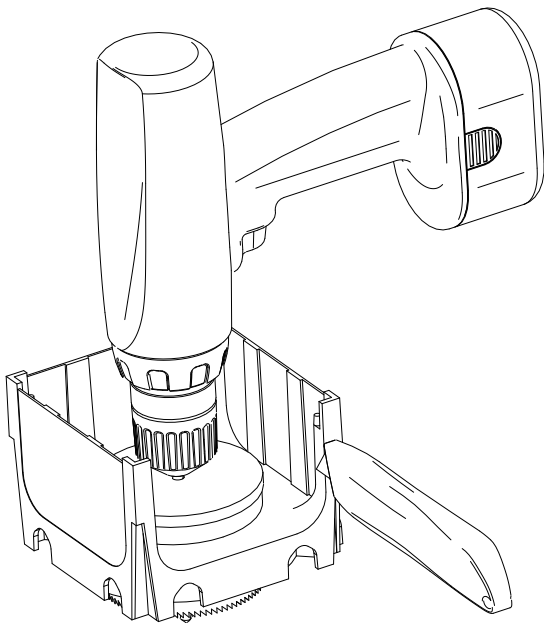
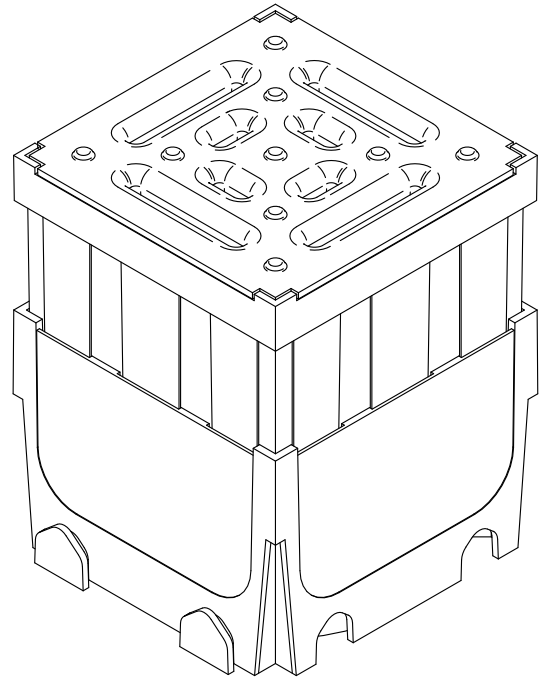
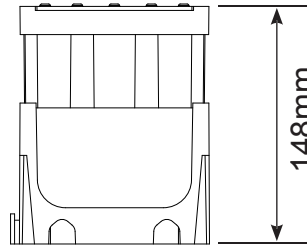
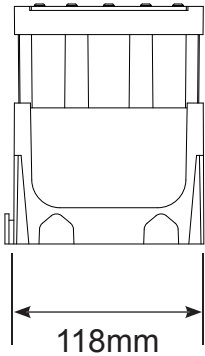
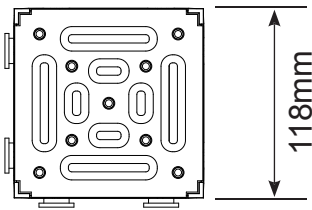


SlotDrain Junction Unit

CODE GPDST-JU



Description

The SlotDrain Junction Unit is made up of 3 components; a channel base, an extension piece and a grate lid. A SlotDrain Junction Unit should be placed at each end of a SlotDrain run and longer runs should include a Junction Unit at 3m intervals to allow access for rodding and cleaning. The SlotDrain Junction Unit can also be used for creating 90° corners, T-junctions and 4-way junctions. The relevant thinned out sides need to be removed before use which can easily be done with a utility knife. Fig. A shows how the base of the unit can be cut out using an 80mm dia. hole saw. There is a drill centre point located on the base to aid cutting, after which a leaf trap can be placed in the hole and using the circular ribs to locate a 4" underground drain pipe, the unit can be used as an outlet.

Packaging	6 per box
Weight	2.0kg per box
Colour	Black
Material	Polypropylene
Manufacturing Process	Injection moulded

MANTHORPE BUILDING PRODUCTS LTD
 MANTHORPE HOUSE
 BRITAIN DRIVE
 CODNOR GATE BUSINESS PARK
 RIPLEY
 DERBYSHIRE DE5 3ND

TEL: 01773 514 200
 FAX: 01773 514 262
 EMAIL: sales@manthorpe.co.uk
 WEB: www.manthorpe.co.uk

DRN M.R Date 16.02.10

DRG No

Issue

The company maintains a policy of continuous development of its product range and reserves the right to amend the specification without notice.

MBP 8287

A