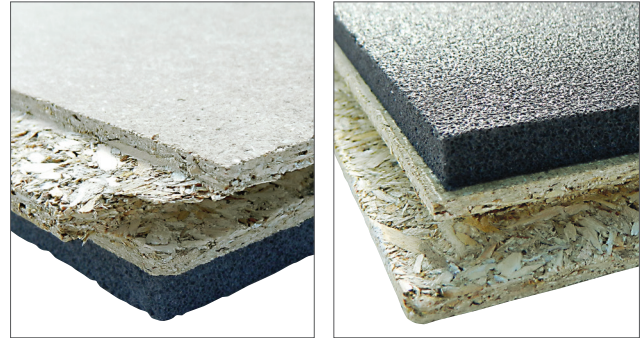


# KARMA Acoustic Overlay 28

## Technical Data Sheet

**Karma Acoustic Overlay 28** is a high performance acoustic floor panel with an exceptional performance to height ratio. Comprising an 18mm tongue and groove 18mm P5 chipboard bonded to a 10mm cross linked polyolefin foam resilient layer. Karma Acoustic Overlay 28 provides excellent impact and airborne sound insulation in a single product. It is used on an existing floor, new ply or chipboard floor or directly to concrete/screed floors making it an ideal product for refurbishment and new build projects.



### Typical Applications

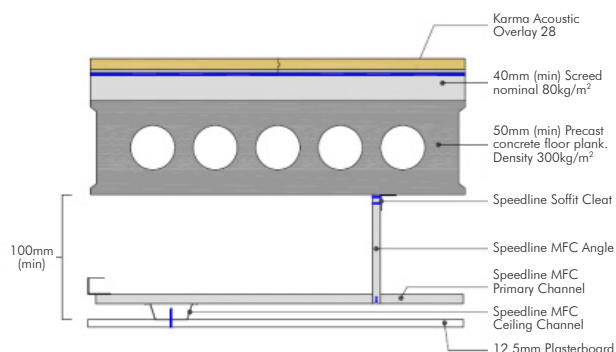
- New build apartments
- Hotels
- Student accommodation and houses with timber joist floors (Pre-Completion Testing)
- Refurbishment projects where height restrictions exist but reliable performance is still required
- This product can be used in the RD FFT5 floor options for E-FC-1, E-FC-2 or E-FS-1.

### Technical Information

Product: Karma Acoustic Overlay 28\*  
Impact Sound Insulation  $\Delta L_w$ : 18dB

\* 18mm chipboard laminated to a closed cell, cross-linked polyethylene resilient layer, 5mm closed cell foam flanking strip to perimeter, all on concrete floor as RD FFT5 (pictured below).

NB - requirements on RD concrete floor is  $\Delta L_w$  17dB, as shown in Appendix D. Results found have been tested in accordance with Robust Details Appendix D.



### Benefits

- Excellent impact and airborne sound performance
- Minimal height increase
- Can be used with any floor finish
- Cost-effective solution
- Non load bearing partitions can be built off the finished floor surface
- Can be used on existing subfloors or concrete/screed floors
- Eliminates the requirement for a damp proof membrane
- Versatile – can be finished with all types of floor finish
- Tried and tested system
- Quick & Easy to install, offering savings labour

### Physical Information

- Dimensions: 2400mm x 600mm x 28mm
- Weight: 14kg/m<sup>2</sup>

### Additional Information

- GWP <5 – Global Warming Potential of resilient layer
- Recycled - Product made recycled or recyclable materials

# Karma Acoustic Overlay 28 Installation Instructions

## Preparation

### Storage

All components should be kept inside, under cover and in dry conditions at all times. Panels should be stacked flat on a level surface. Materials should be located into the environment in which they are to be fixed at least 24 hours prior to fixing.

### Subfloor Tolerances

The subfloor evenness tolerances must not exceed  $\pm 2$ mm per 2 metre run. The base floor must also be clean and completely dried out. The floor should be clear of pipes and other obstacles.

### Partitions

Lightweight non load bearing partitions can be supported on top of Karma Acoustic Overlay 28 boards.

### Expansion Provision

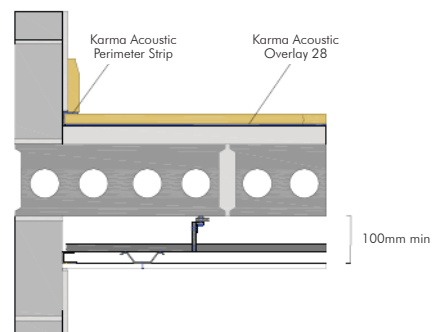
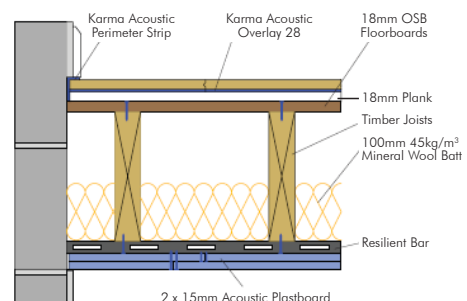
Expansion provision should be calculated at a rate of 2mm per metre run. This may be provided in a gap perimeter walls but intermediate expansion joints may be needed on long runs of flooring.

### Tiling

The top surface of Karma Acoustic Overlay 28 should be primed before tiling. Ensure that a flexible tile adhesive and flexible grout compatible with the P5 chipboard top surface are used to accommodate the movement of the substrate.

## Installation Procedure

- 1 Place Karma 5mm thick x 100mm wide flanking strip between Karma Acoustic Overlay 28 and perimeter walls and existing door frames during installation. This will reduce flanking sound transmission.
- 2 Lay Karma Acoustic Overlay 28 with the grooved edges or cut edges facing the perimeter walls. Use the off cut from the final panel in the first row to commence the next row. Do not start a row with an off cut less than 250mm long. Lay panels in a brick bonded fashion.
- 3 While laying boards apply a liberal amount of 502 PVA to the grooves of the T&G joint and tightly butt the boards together. Wipe off excess adhesive with a damp cloth. Avoid walking on the boards until the adhesive has dried.

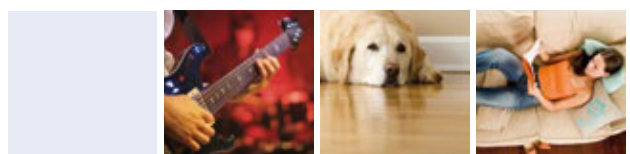


For further information and sales enquiries please call: 02380 625568

# KARMA

[www.karma-acoustics.co.uk](http://www.karma-acoustics.co.uk)

Issue 2 03/2018 - JW



Due to our policy of continuous development we reserve the right to change design and specifications without prior notice. Karma Acoustic Solutions does not accept responsibility for any loss as a result of any company or person relying on material in this publication, or for any mistakes or misprints. Although every care is taken to ensure accuracy, this document is a general guide and specific technical advice is recommended before proceeding with any transaction. Reproduction of any part of this publication in any manner is not permitted without prior written consent from Karma Acoustic Solutions.