

Joist Seal - 302mm High

CODE **G913**

Description

The G913 range is designed to solve the problems of air leakage associated with built in timber joists. The box is placed over the end of the joist and built into the inner leaf of the external wall construction with a foam gasket sealing up the penetration. As the timber dries out and shrinks the seal is still maintained between the box and the masonry, thus preventing air leakage into the cavity.

Located around the inner flange is a number of push out pockets for the location of restraining straps as required.

Materials

- Polypropylene
- Foam Gasket Seal

Colour

Translucent White

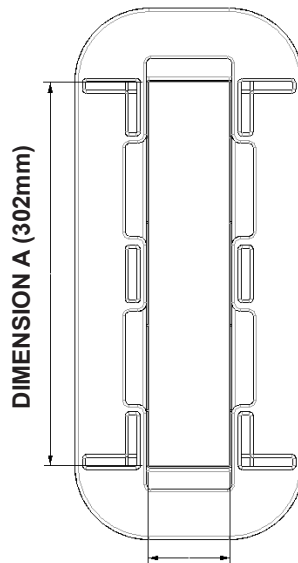
Manufacturing

Injection Moulded

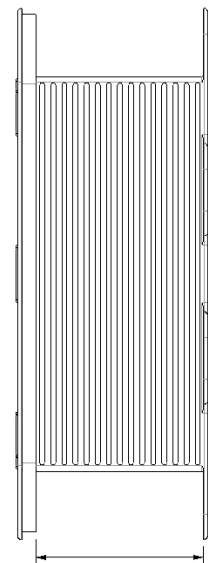


References

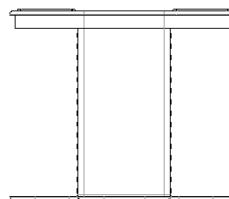
Building Regulations Part L
Robust Details: Part E: Resistance to the Passage of Sound.
(Appendix A, Pages 2-3).
NHBC: Good Craftsmanship Guides



DIMENSION B



DIMENSION C



MANTHORPE BUILDING PRODUCTS LTD
MANTHORPE HOUSE
BRITAIN DRIVE
CODNOR GATE BUSINESS PARK
RIPLEY
DERBYSHIRE DE5 3ND

TEL: 01773 514 200
FAX: 01773 514 262
EMAIL: bpsales@manthorpe.co.uk
WEB www.manthorpe.co.uk

DRN B.H. Date 09.02.15

The company maintains a policy of continuous development of its product range and reserves the right to amend the specification without notice.

DRG No

MBP 8221

Issue

B
1 of 2

Joist Seal - 302mm High

CODE **G913**

Product Constraints

The G913 Joist Seal accommodates both timber joists and I-beams with a maximum height of 302mm. Shorter joists heights can still be installed with the use of timber packers and for joists shorter than 226mm, the smaller G912 Joist Seal can be used.

The standard depth of the seal (**C**) is 100mm, variants are available to accommodate larger blockwork depths, however these are achieved by affixing flange extensions to the standard box depth. This means that regardless of the bed depth of the blockwork used, the seal will only permit the joist a bearing of 100mm over the block.

In order to match the correct joist seal to your specific requirements the following product code system is used:

Product Code Selector

G91A-BB-CCC

A = Maximum Joist Height (either 225mm or 302mm)

B = Joist Width (mm)

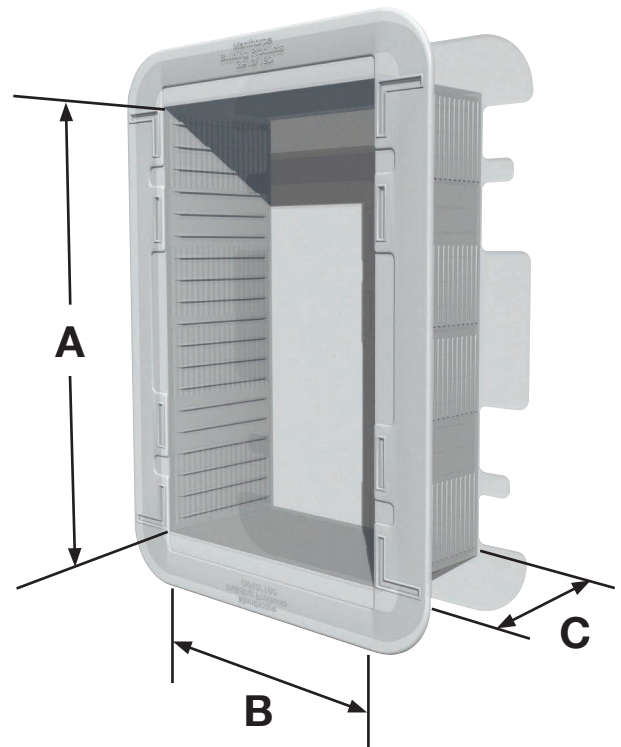
C = Depth of Blockwork (mm)

Example:

You are using a joist with a height of 302mm and a width of 90mm. This will be built into blockwork with a bed depth of 100mm.

You should use the following Joist Seal:

G913-90-100



		Blockwork Depth (C)				
		100mm	115mm	125mm	130mm	140mm
Joist Width (B)	38mm	G913-38-100	G913-38-115	G913-38-125	G913-38-130	G913-38-140
	45mm	G913-45-100	G913-45-115	G913-45-125	G913-45-130	G913-45-140
	60mm	G913-60-100	G913-60-115	G913-60-125	G913-60-130	G913-60-140
	76mm	G913-76-100	G913-76-115	G913-76-125	G913-76-130	G913-76-140
	90mm	G913-90-100	G913-90-115	G913-90-125	G913-90-130	G913-90-140
	120mm	G913-120-100	G913-120-115	G913-120-125	G913-120-130	G913-120-140
	150mm	G913-150-100	G913-150-115	G913-150-125	G913-150-130	G913-150-140
	180mm	G913-180-100	G913-180-115	G913-180-125	G913-180-130	G913-180-140

MANTHORPE BUILDING PRODUCTS LTD
 MANTHORPE HOUSE
 BRITTAIN DRIVE
 CODNOR GATE BUSINESS PARK
 RIPLEY
 DERBYSHIRE DE5 3ND

TEL: 01773 514 200
 FAX: 01773 514 262
 EMAIL:
 bpsales@manthorpe.co.uk
 WEB
 www.manthorpe.co.uk

DRN B.H. Date 09.02.15
 The company maintains a policy of continuous development of its product range and reserves the right to amend the specification without notice.

DRG No
MBP 8221

Issue
B
 2 of 2