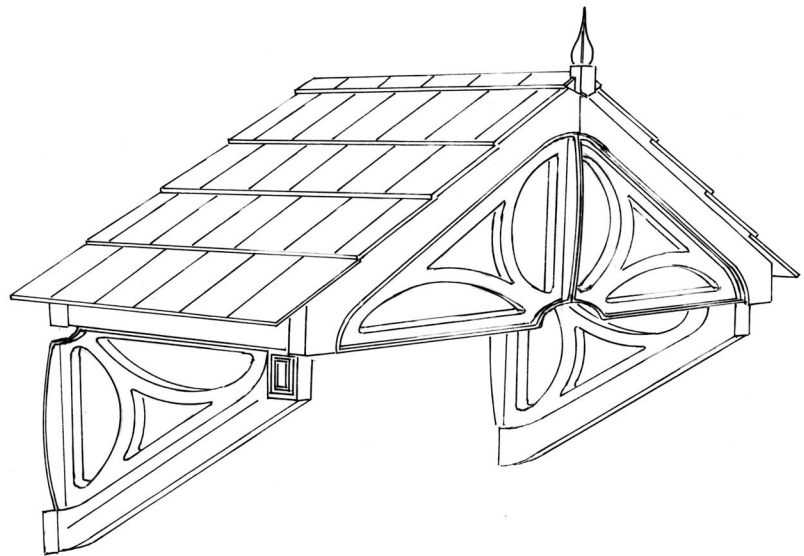
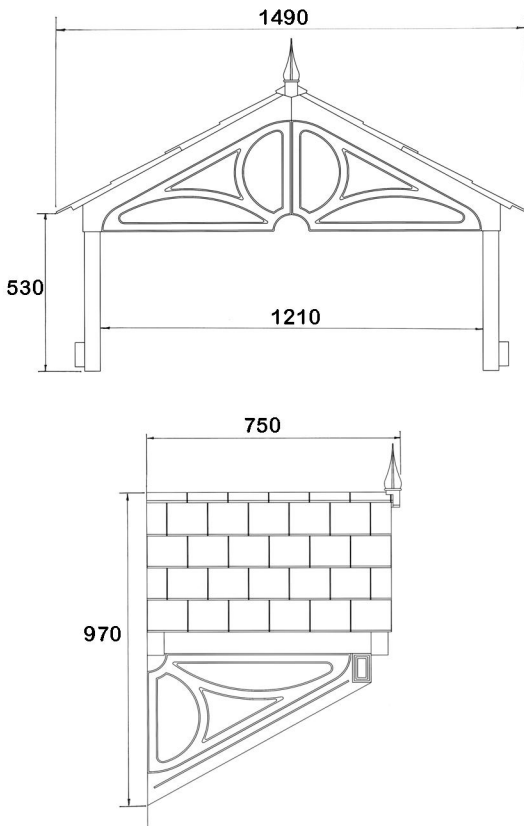


HILTON

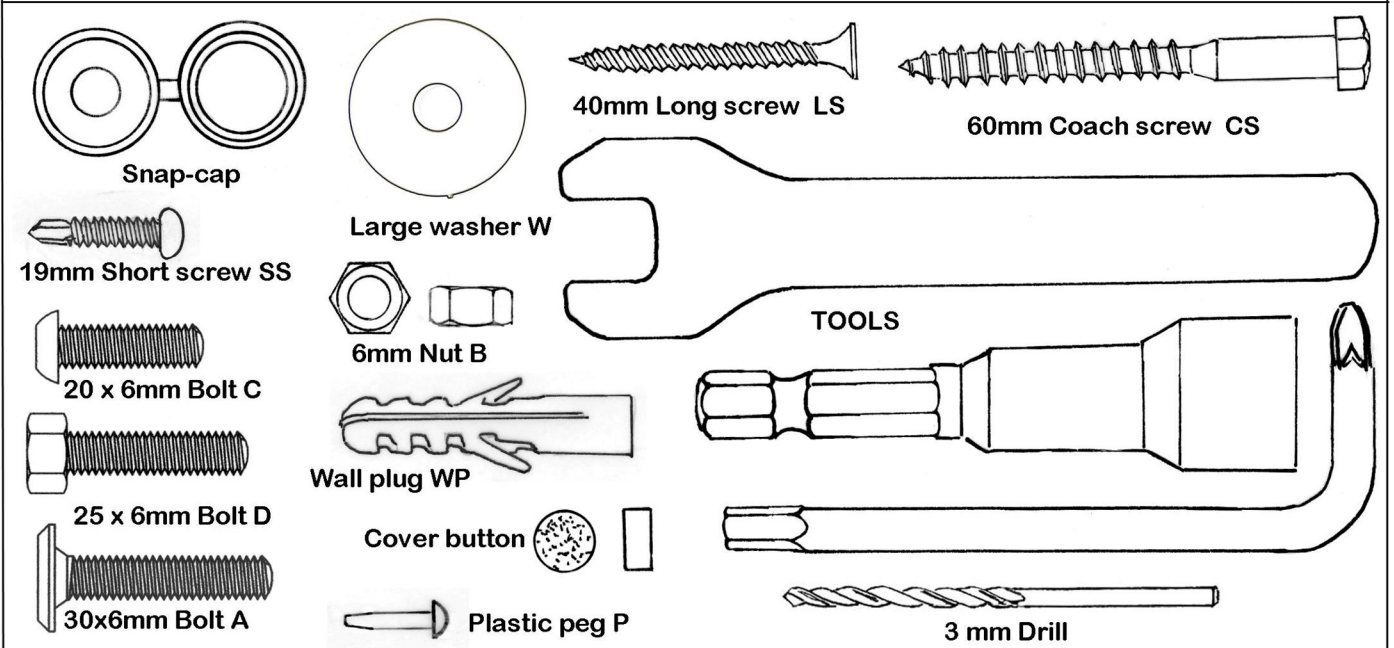


PLEASE READ THROUGH THE INSTRUCTION BEFORE STARTING
PLEASE WORK IN A SAFE ENVIROMENT. USE SAFETY EQUIPMENT WHERE NECCESARY

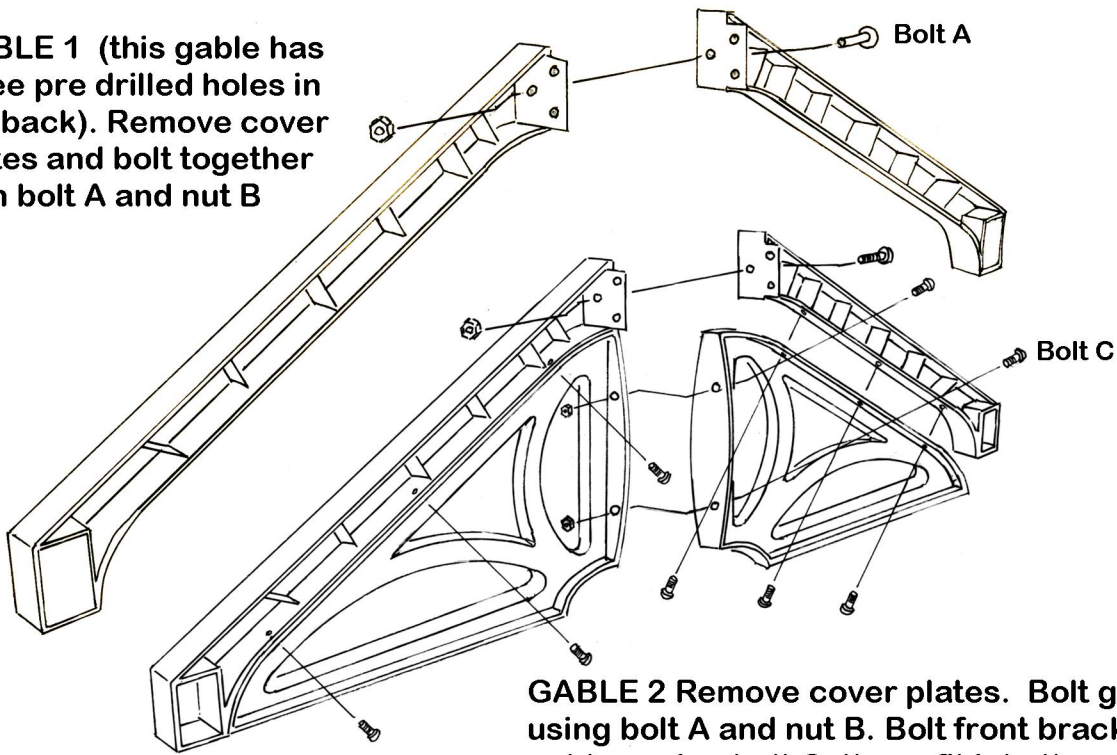


www.kovertek.com

Components shown full size

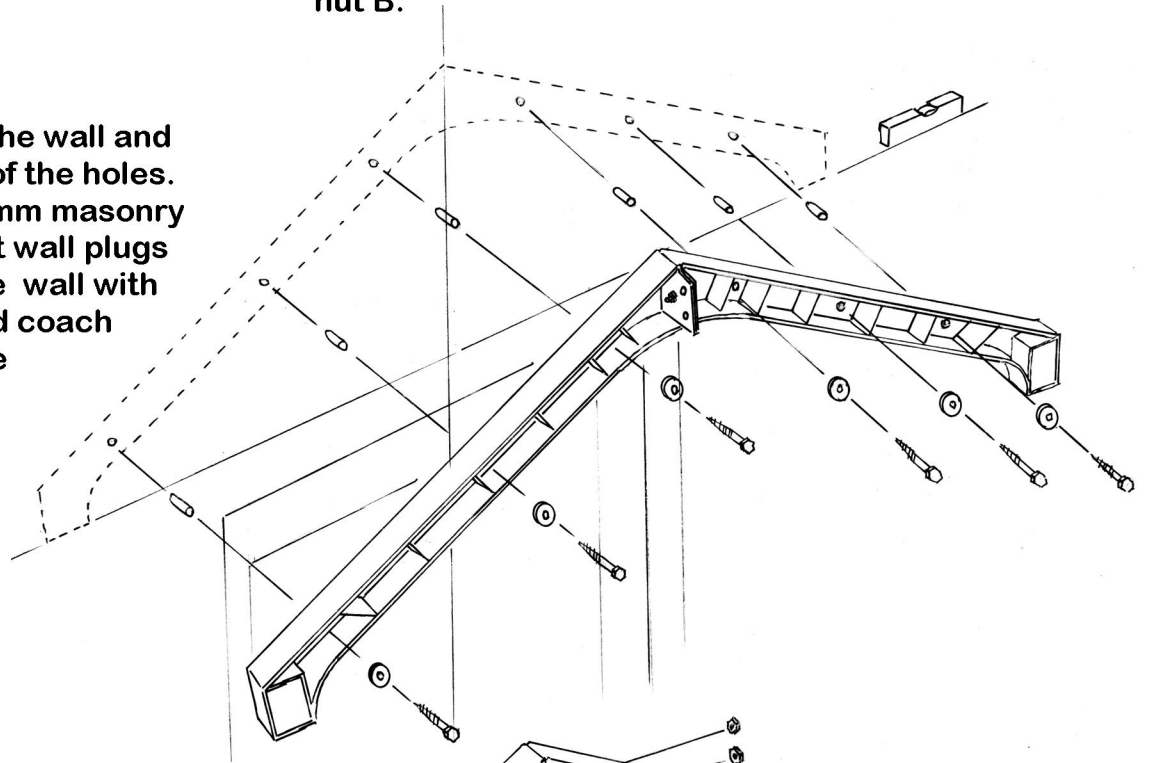


GABLE 1 (this gable has three pre drilled holes in the back). Remove cover plates and bolt together with bolt A and nut B

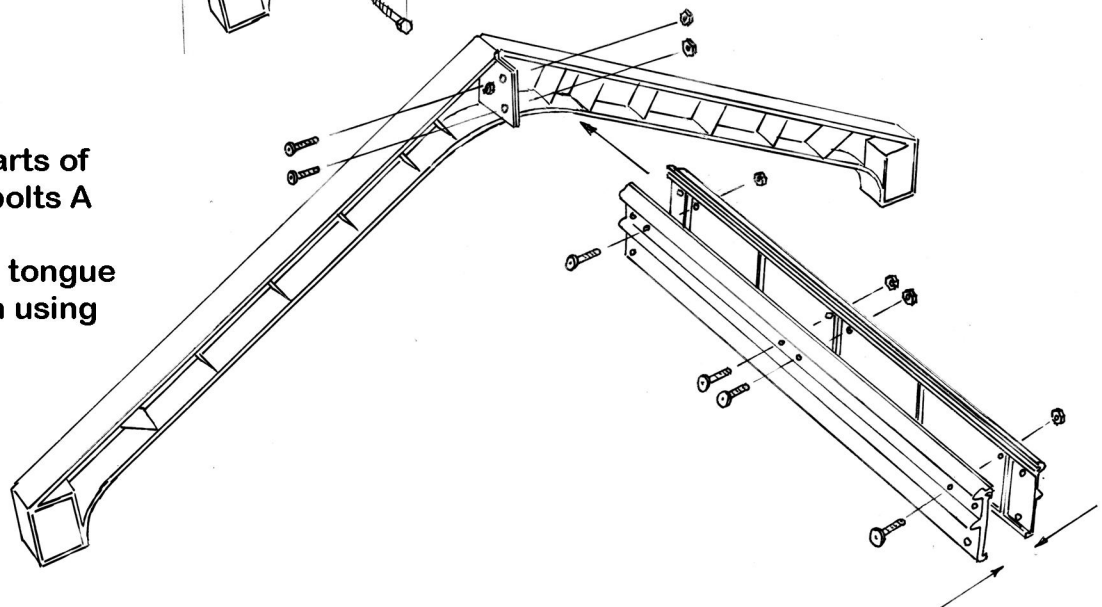


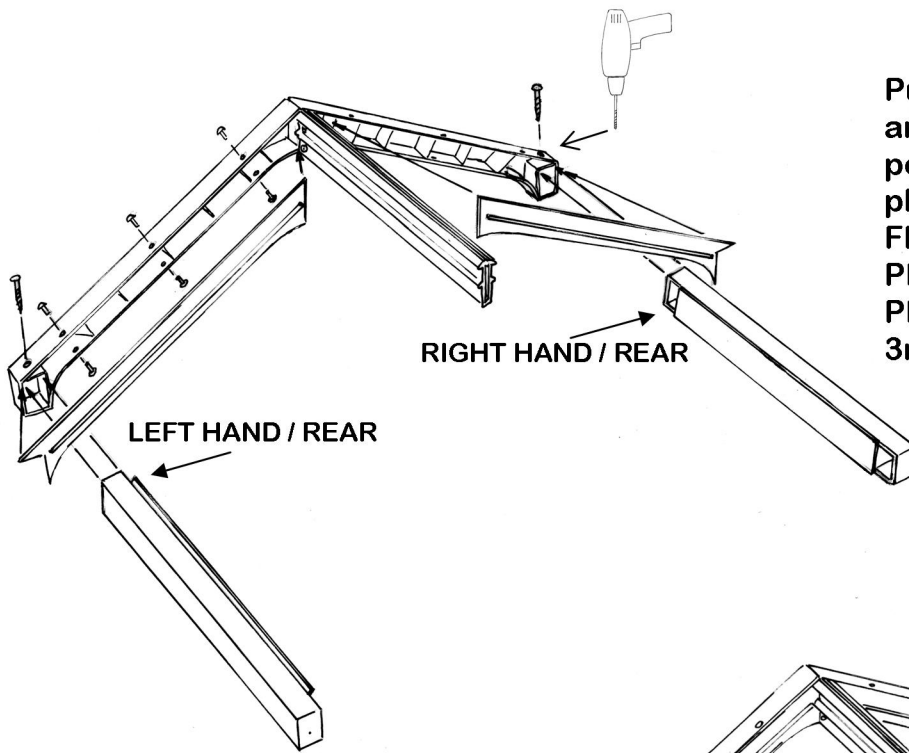
GABLE 2 Remove cover plates. Bolt gables together using bolt A and nut B. Bolt front brackets on to the gables using bolt C, these fit into the pre fitted metal inserts. Bolt the brackets together using bolt C and nut B.

Position gable 1 on the wall and mark the positions of the holes. Drill holes with an 8mm masonry drill 60mm deep, fit wall plugs WP. Bolt gable to the wall with large washers W and coach screws CS using the socket provided.



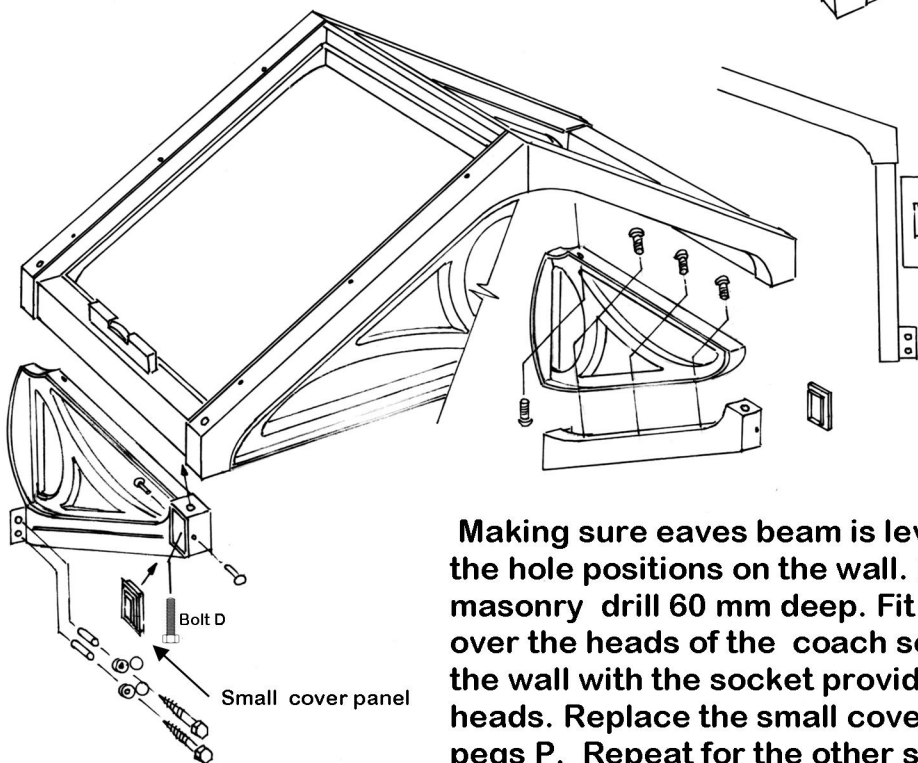
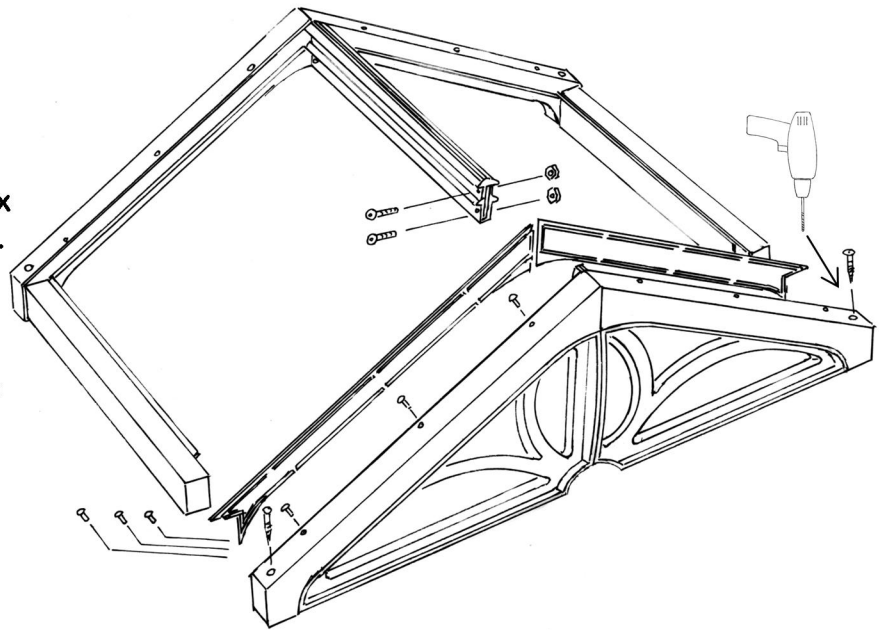
Bolt together the two parts of the ridge beam with 4 bolts A and nuts B. Slide the beam over the tongue of the gable and bolt on using 2 bolts A and nuts B





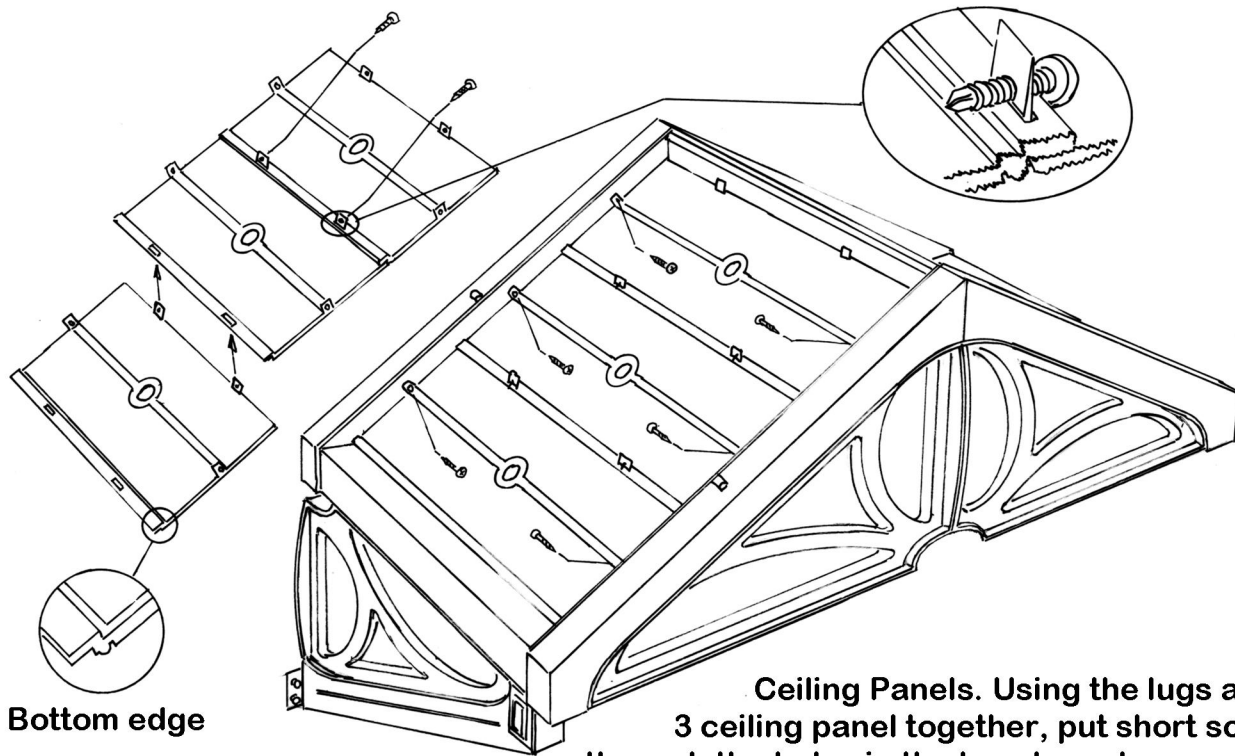
Push cover plates back into place and fix by inserting small plastic pegs P. Push eaves beams into place PLEASE MAKE SURE YOU FIT THEM AS SHOWN IN THE PICTURE, PREFITTED COVER PLATE ON THE INSIDE. Using the 3mm drill provided, drill a pilot hole in the top of the Gable into the Eaves beam. Fix the Eaves beam in place with screw LS through the pilot hole.

Gable 2 Front. Push gable assembly onto the ridge and eaves beams. Fix to the ridge with 2 bolts A and nuts B. Using the 3mm drill provided, drill a pilot hole in the top of the gable into the Eaves beam. Fix the Eaves beam in place with screw LS through the pilot hole. Replace cover plates and fix with small plastic peg P.



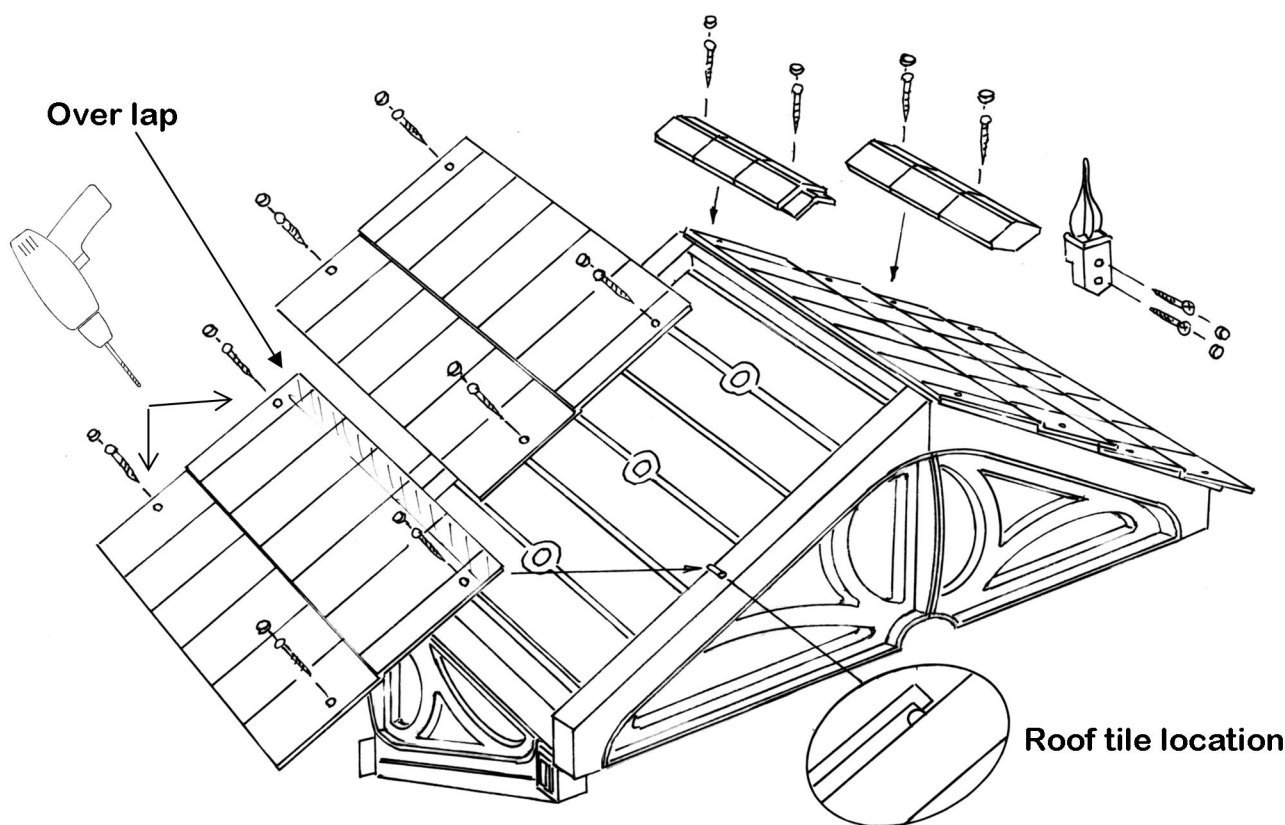
Support Gable. Remove the small cover panel. Fix the side support bracket to the gable using 3 bolts C, the cover panels will be on the outside of the porch, the bolts on the inside. Fix the support gable and bracket to the eaves beam with a bolts C at the rear and a bolt D at the front.

Making sure eaves beam is level and the gable is upright mark the hole positions on the wall. Drill the holes with an 8mm masonry drill 60 mm deep. Fit wall plugs WP. Put the snap-caps over the heads of the coach screws CS, bolt the support gable to the wall with the socket provided. Close the snap-caps over the heads. Replace the small cover panel and fix with small plastic pegs P. Repeat for the other side.



Bottom edge

Ceiling Panels. Using the lugs as location put 3 ceiling panel together, put short screws SS through the holes in the lugs to make one panel. Position the ceiling panel inside the frame (from the top), make sure you have the correct edge to the bottom and fix through the side lugs into the frame with short screws SS. Repeat for the other side

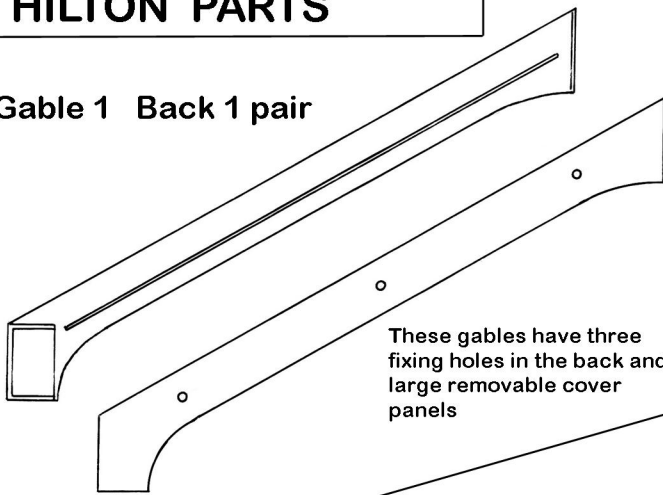


Roof tile location

Roof Tiles. Place the first roof tile on the gable with the edge against the wall, use the locator to find the position. Using the four holes in the tile as a guide drill 3 mm pilot holes in the gables, then fix down with 4 long screws LS. Place the second tile over the first tile, drill pilot holes, fix the tile in place with 4 long screws LS. Push small cover buttons into the screw holes texture side up to hide the screws. Repeat for the other side. Centralise the ridge tiles over the roof tiles and screw down using 4 long screws LS. Push small cover buttons into the screw holes textured side up to hide the screws. Centre the finial over the end of the ridge tile, drill 3mm pilot holes and fix with long screws LS, push small cover button into the screw holes textured side out most to hide the screws. NOTE no flashing as been supplied with this kit. If you wish to fit one please purchase one to suit your situation

HILTON PARTS

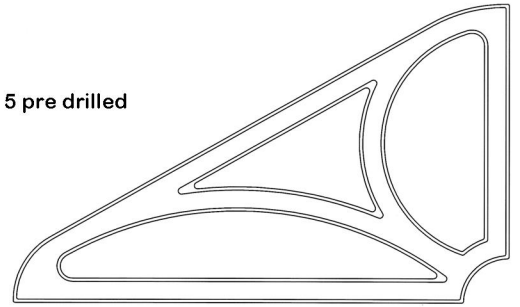
Gable 1 Back 1 pair



These gables have three fixing holes in the back and large removable cover panels

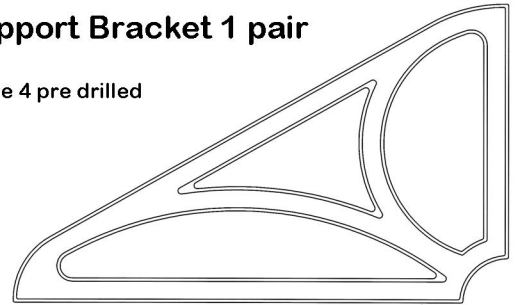
Front

These have 5 pre drilled holes

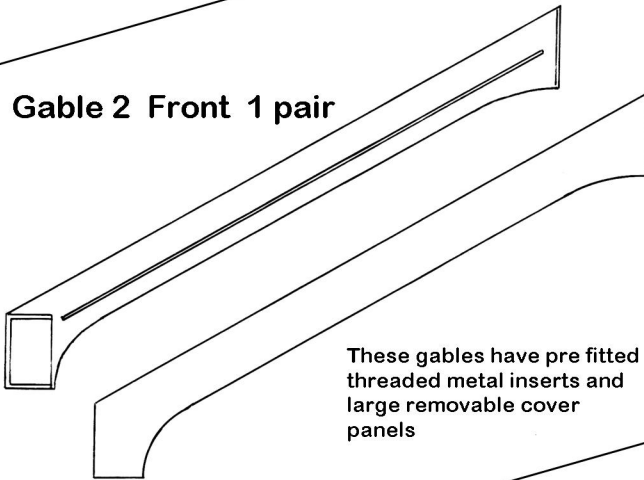


Side Support Bracket 1 pair

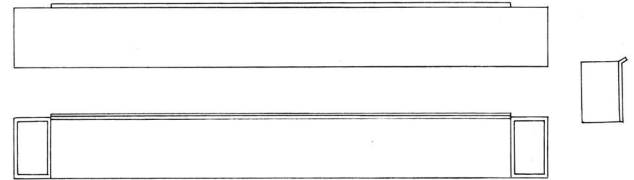
These have 4 pre drilled holes



Gable 2 Front 1 pair

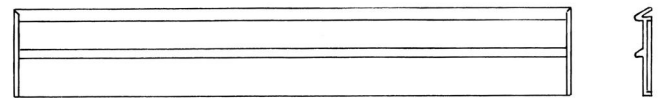


These gables have pre fitted threaded metal inserts and large removable cover panels



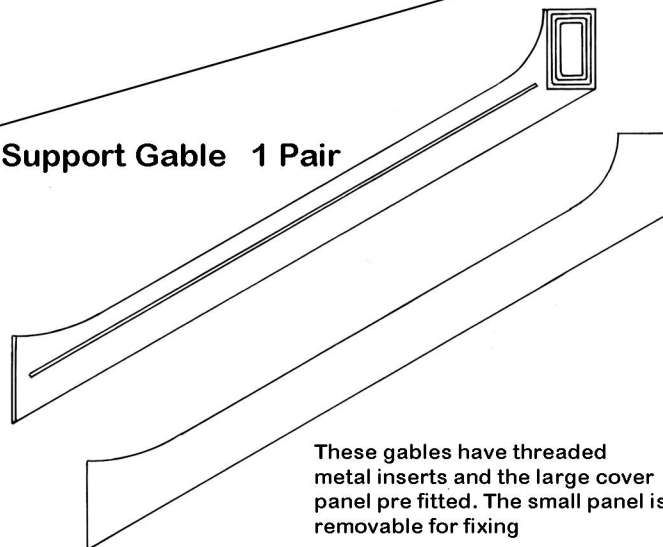
Eaves beam with metal threaded inserts and cover panel x2

IMPORTANT THESE ARE LABELLED LEFT AND RIGHT

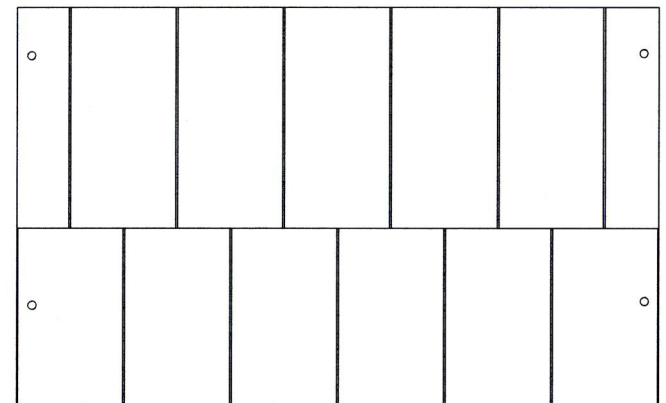


Ridge beam x2

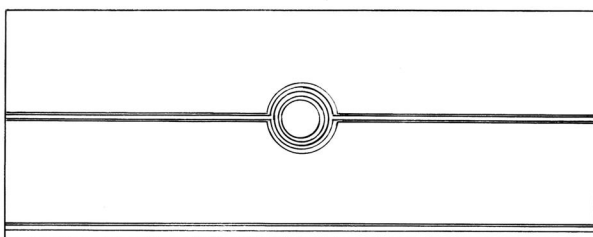
Support Gable 1 Pair



These gables have threaded metal inserts and the large cover panel pre fitted. The small panel is removable for fixing



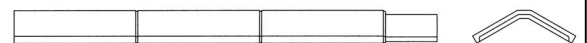
Roof tile x4



Ceiling panel x6



Finial x1



Ridge tile part 1



Ridge tile part 2