

Fitting instructions for *SLIK* DRAUGHT PROOF Sliding Door Gear

Specification - For doors weighing up to 35kg (77lbs) 22mm (7/8") minimum thickness

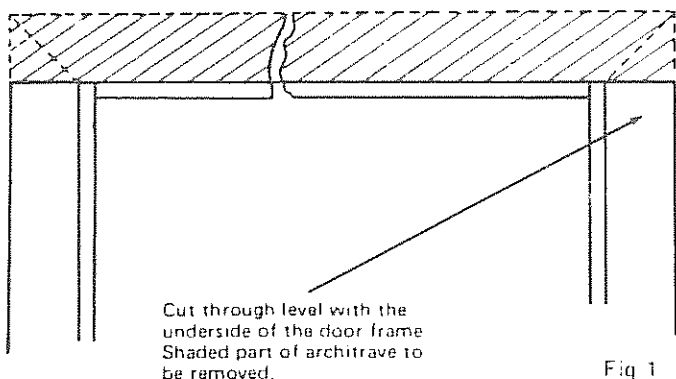


Fig 1

- 1 Remove any existing handles, hinges, locks etc., from the door and fill-in where necessary. Remove architrave from above the door frame. Secure timber batten to wall (fig 5) The thickness of the batten must be 1/8" (3mm) greater than the architrave, several inches longer than the track and 5" (125mm) wide. For new installations the architrave may be designed to suit.

- 3 Find the gold travelling bar which is positioned in the plastic guide channel (see fig 6 overleaf). Measure the distance between the centres of the two steel hanging brackets which are riveted to the gold bar. This is length "D". Make two marks on the top of your door as shown in fig 3, ensuring that the two lengths marked "E" are the same. Then find the two door brackets as shown in fig 4. Fix them to the top of the door flush with the wall side of the door in the positions marked (see fig 3)

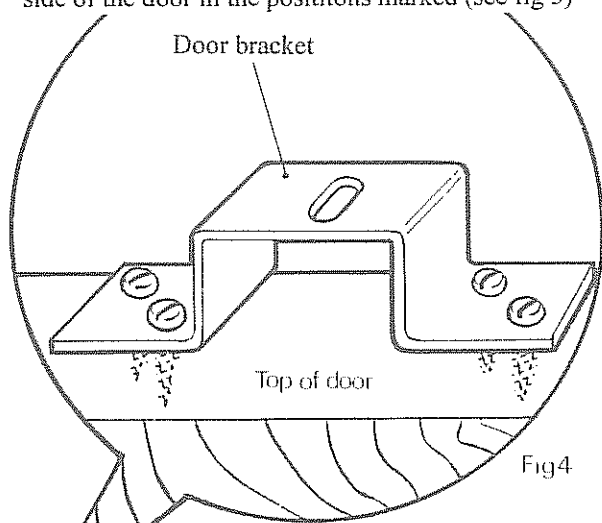


Fig 4

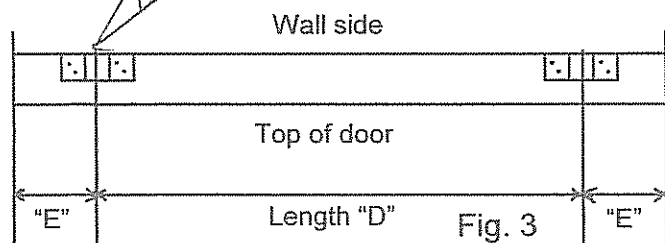


Fig 3

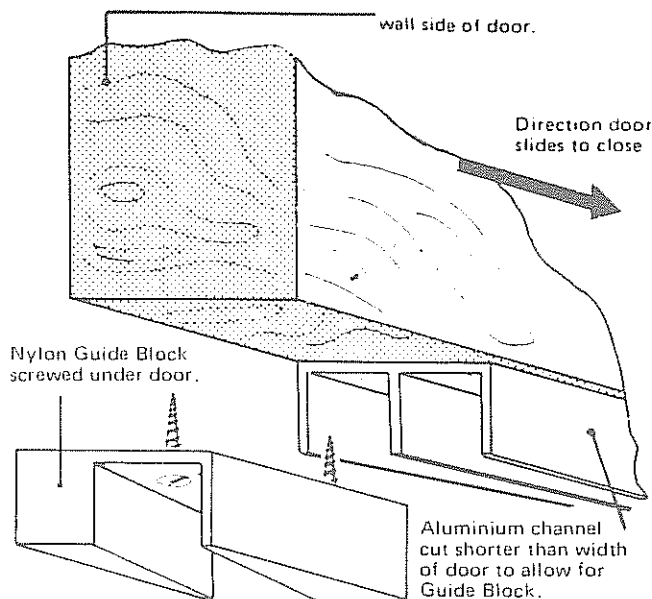


Fig 2

- 2 Scew aluminium channel to the bottom of the door leaving exactly 2" (50mm) underlap at the end of the door opposite to the opening when the door is in the open position. This 2" (50mm) space is for the 2" (50mm) guide block to be screwed onto the door exactly in line with the channel. There are two guide blocks—one left hand and one right hand. Only one of these is used depending on which way the door is opened (Fig 2). The other can be thrown away as it is not required. Saw off the other end of the channel flush with the end of the door.

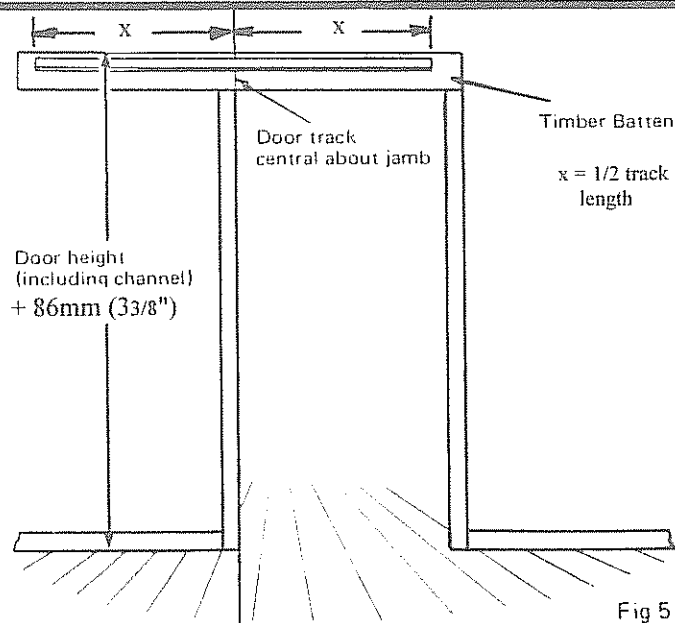


Fig 5

- 4 Fix track to the batten. The top track should be the door height (including the bottom channel) +86mm (33/8") from the floor. The track should be level and central about the edge of the door frame. Wipe the track clean after fixing.

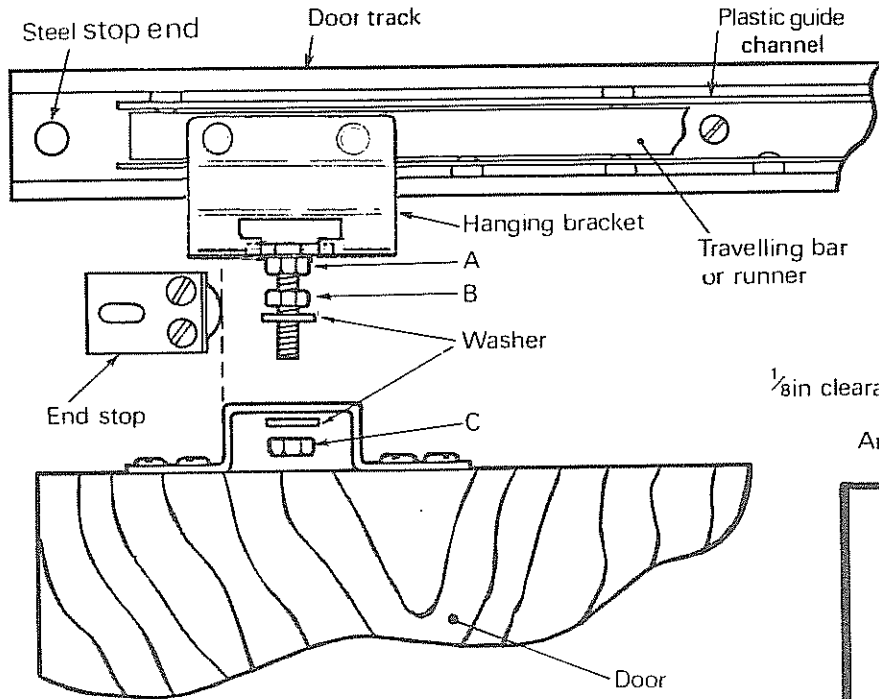


Fig 6

5 Insert the bolts in the hanging brackets through the slots in the front of the brackets. Make bolts rigid by tightening nut A to the hanging bracket. Hang the door to the track by supporting the door off the floor with two pieces of 1/4" (6mm) packing. Use nuts B and C to tighten on door bracket (Fig 6) moving the bolt in the slot until the door shows 1/8" (3mm) clearance with the batten (see fig 7).

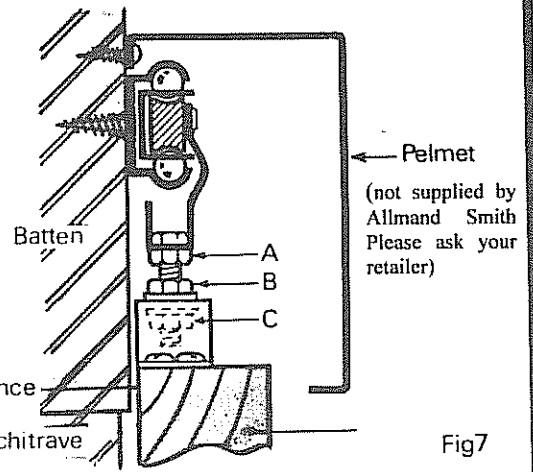


Fig 7

6 Slide the door into the closed position. Swing the base of the door slightly away from the frame until vertical. Wedge door firmly in this position. Nail or screw wooden filling strips (not supplied) in the top and sides of the door frame (fig 9) to form a snug, draughtproof fit to the face of the door. The strips can be edged with cushioning material such as felt.

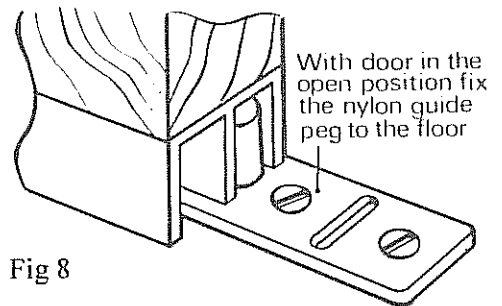


Fig 8

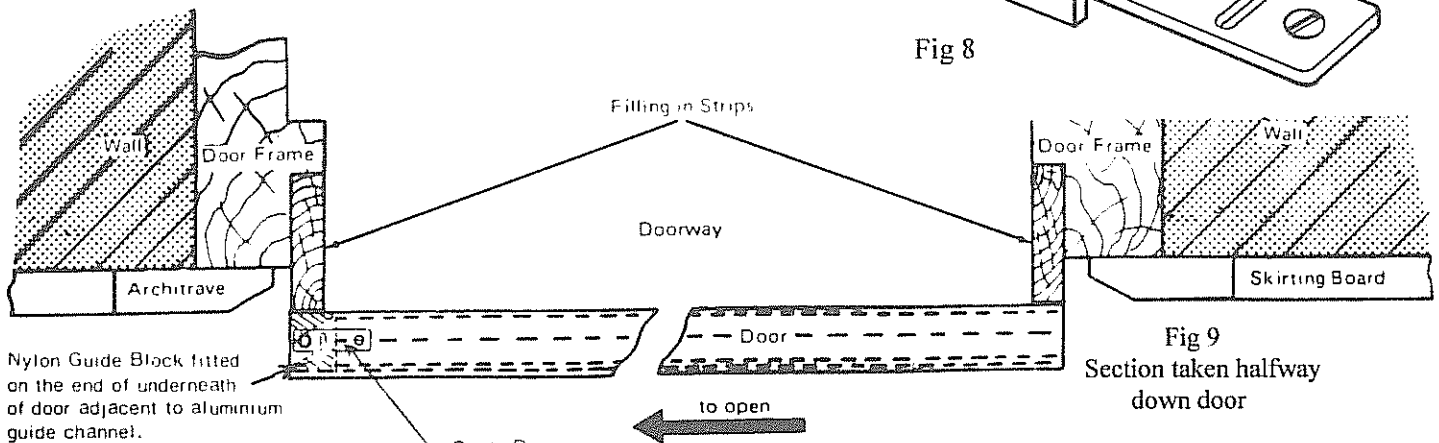
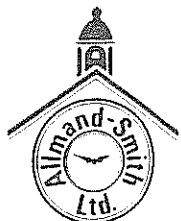


Fig 9
Section taken halfway down door

7 Saw off nylon guide peg to required height and position it under the guide block with the door still in the closed position (Figs 8&9). Note how the flat part of the peg points towards the opening (Fig 9). The peg should be touching the inside of the guide block furthest from your frontal view. Mark its exact position on the floor with a pencil. Open the door fully so that the screw holes in the guide peg are accessible. Screw the guide peg to the floor, positioned by the pencil marks (fig 8). Finally fix the plastic end stop so that it strikes the door bracket when the door is fully opened DO NOT ALLOW THE BRASS COLOURED RUNNER BAR TO STRIKE STEEL STOP ENDS IN TRACK.



Allmand-Smith Ltd,

Regency Mill, Chester Road, Macclesfield, Cheshire. Tel: 01625 - 613311 - 423085